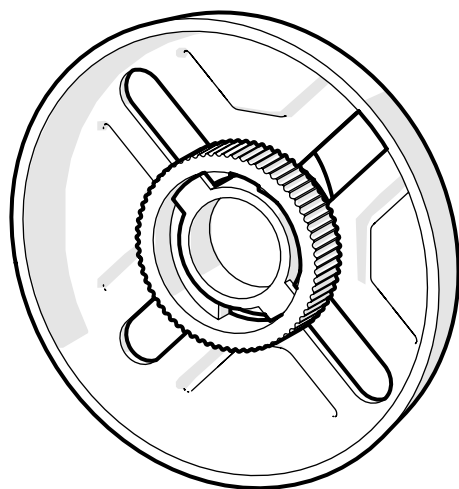


FLEXI FIX WALL MOUNTED ACCESSORIES INSTRUCTIONS



SECTION	CONTENTS	PAGE
1	INTRODUCTION	2
2	PRE-INSTALLATION	2
3	INSTALLATION WHEN USING EXISTING HOLES	3
4	INSTALLATION WHEN DRILLING NEW HOLES	3
5	INSTALLATION USING ADHESIVE FIXING METHOD	4

ALL ILLUSTRATIONS OF THE PRODUCT ARE FOR REFERENCE ONLY. COMPONENTS SUPPLIED WITH INDIVIDUAL PRODUCTS MAY DIFFER

CONTACT DETAILS (UK)

Croydex
Central Way
Andover
Hampshire
SP10 5AW
UK

Tel: +44 (0)1264 365881
Email: info@croydex.co.uk

www.croydex.com

CONTACT DETAILS (EU)

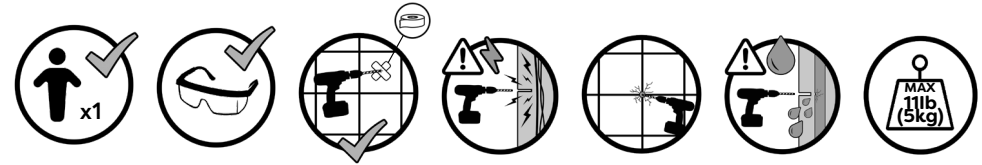
MIL
Unit 8 Purcellsinch Ind Est
Dublin Road
Kilkenny
R95 HP71
Ireland

SECTION 1 - INTRODUCTION

INTRODUCTION

Thank you for purchasing this Croydex product. Please follow all installation and product care instructions to ensure that your product is installed safely and retains its high quality finish.

PLEASE RETAIN THIS MANUAL FOR FUTURE REFERENCE



INTRODUCTION

The adhesive is suitable for use on most flat finished surfaces, such as gloss paint, tiles, polished stone, laminates and textured surfaces. **DO NOT USE ON DECORATIVE WALL PAPER FINISHES.** The adhesive is **NOT** suitable for unfinished materials such as brick, block-work, wood, emulsion paint, loose, flaky surfaces or surfaces contaminated with grease, wax or dust. In some circumstances extreme environmental conditions or physical damage to the adhesive tube may initiate the curing process. In the unlikely event that your adhesive has hardened or its tube is damaged, replacement adhesive can be obtained from our customer services department.

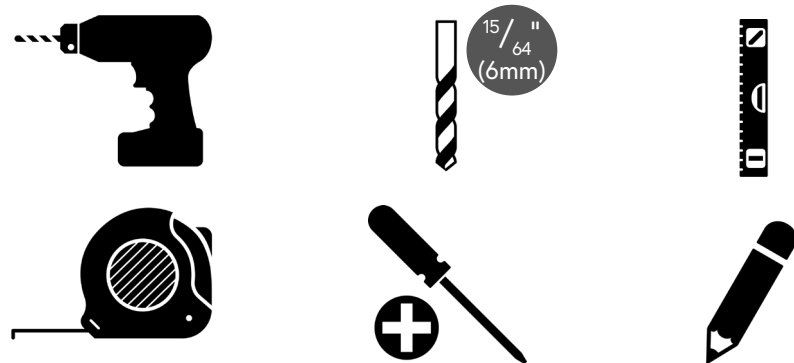
SECTION 2 - PRE-INSTALLATION

PRODUCT FITTING

IMPORTANT!

Before attempting to install this product, ensure that it fits and will function in the desired location.

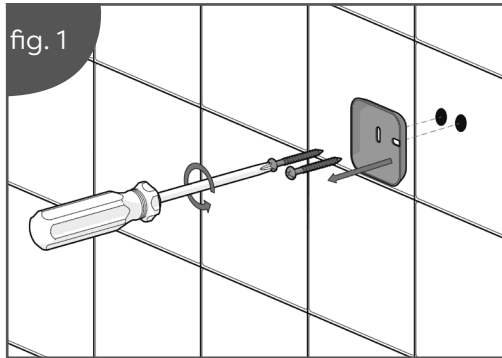
TOOLS REQUIRED



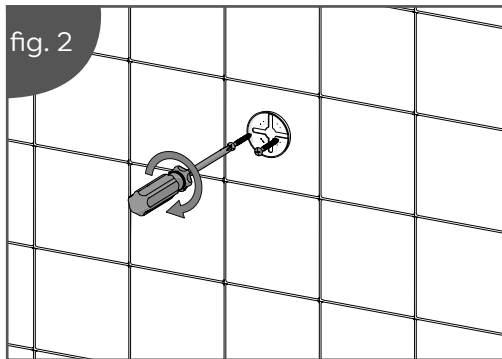
SAFETY & PRODUCT CARE

- 1. ALWAYS** take care when using power tools, particularly if there is any water in the working area.
- When drilling into a tiled surface **DO NOT** use a hammer drill.
- 3. ALWAYS** use a drill bit that is suitable for the surface that is being drilled.
- Always use a residual current circuit breaker (RCCB/GFCI).
- The wall plugs supplied are for use on solid walls only. For cavity walls or plasterboard **ALWAYS** use specialist fixings that are suitable for the type of wall construction.
- 6. ALWAYS** wear eye protection when using power tools.
- 7. ALWAYS** check for pipes and cables before drilling into walls.
- 8. ALWAYS** use a ceramic drill bit when drilling into tiled surfaces.
- The maximum safe working load for the shelf is 5kg distributed evenly.
- 10. DO NOT** position glass products directly above a heat source.
- 11. DO NOT** use abrasive or chemical cleaners as these may damage the product.
- To retain the best quality finish, clean product regularly with a soft damp cloth.
- Redecoration may be required on some painted surfaces after removal.

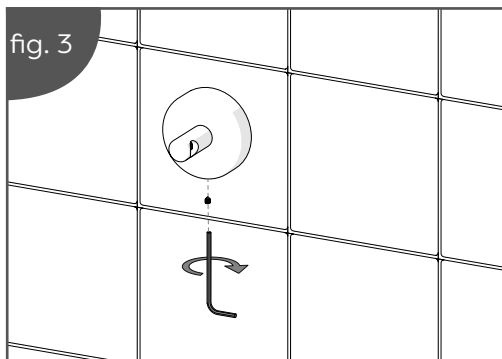
SECTION 3 - INSTALLATION WHEN USING EXISTING HOLES



1. Remove the old wall bracket, taking care not to damage existing fittings. (See Fig. 1)

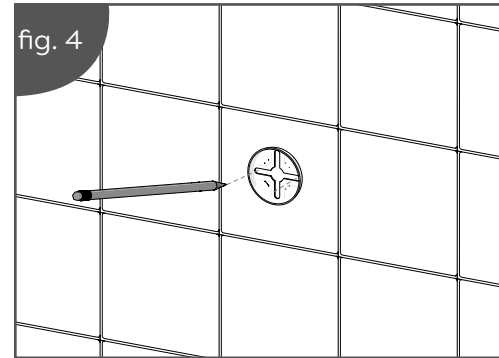


2. Screw the new Flexi-Fix bracket into the existing holes. (See Fig. 2)

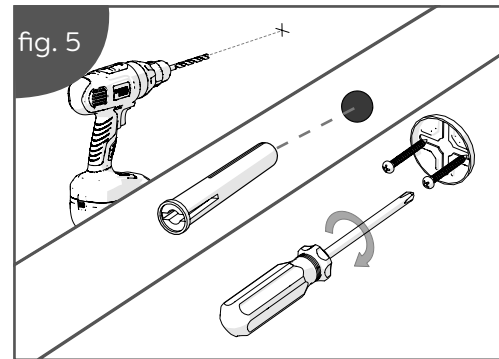


3. Install the Flexi-Fix Wall Mounted Accessory and tighten the grub screw to secure in place. **DO NOT** overtighten the grub screw. (See Fig. 3)

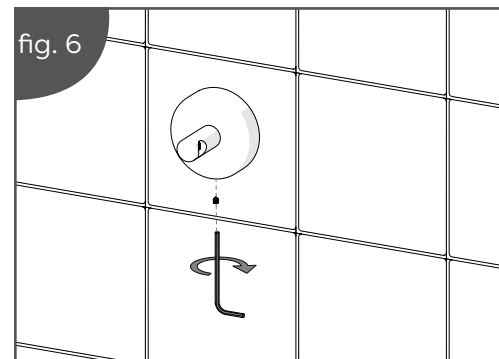
SECTION 4 - INSTALLATION WHEN DRILLING NEW HOLES



1. Place the Flexi-Fix bracket onto the wall and mark hole centers for drilling. **DO NOT** attempt to install with screws going into grouting. (See Fig. 4)

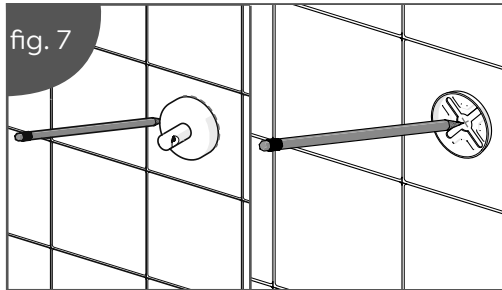


2. Drill holes and insert wall plugs. Ensuring the wall plugs sit flush with the wall. (See Fig. 5)

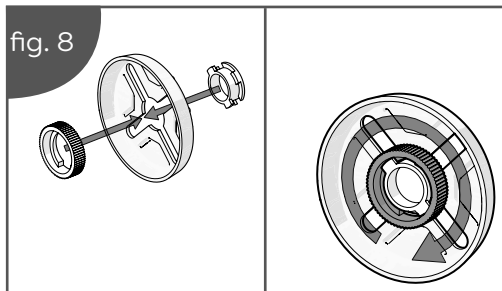


3. Install the Flexi-Fix Wall Mounted Accessory and tighten the grub screw to secure in place. **DO NOT** overtighten the grub screw. (See Fig. 6)

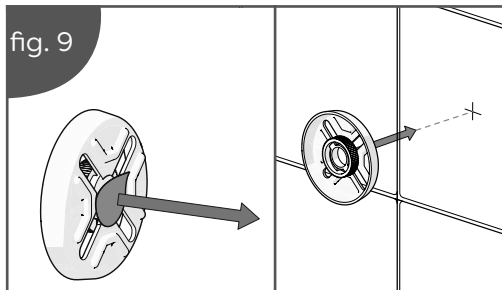
SECTION 5 - INSTALLATION WHEN USING ADHESIVE FIXING METHOD



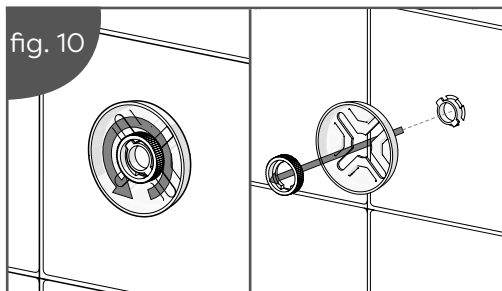
1. Place the Flexi-Fix bracket onto the wall and mark center for glueing. **DO NOT** attempt to install on grouting lines. (See Fig. 7)



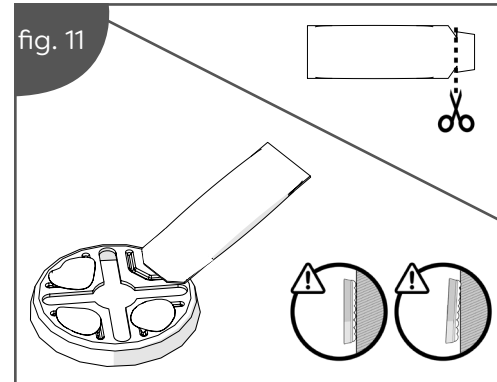
2. Assemble the Flexi-Fix bracket as shown. (See Fig. 8)



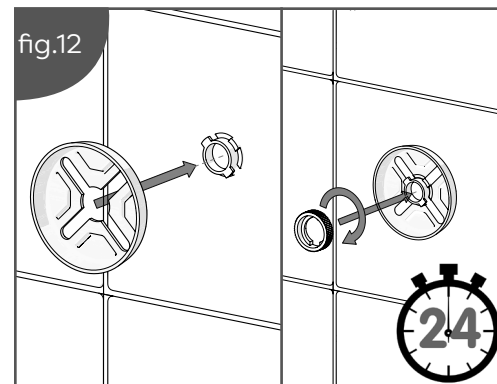
3. Peel off the adhesive sticker backing and press to wall on the marked center. (See Fig. 9)



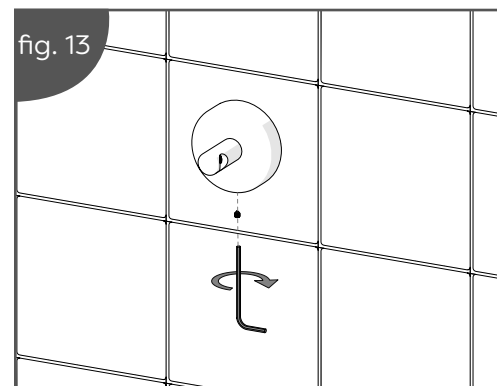
4. Unscrew and remove the Flexi-Fix bracket as shown. Be careful not to dislodge the guide that is now adhered to the wall. (See Fig. 10)



5. Open the sachet containing the adhesive and apply to the back of the Flexi-Fix bracket. (See Fig. 11)



6. Re-install the Flexi-Fix bracket onto the guide and secure as shown. **YOU MUST** wait 24 hours for adhesive to cure. **DO NOT** attempt to press the Flexi-Fix bracket to the wall. This will impede the bonding process. (See Fig. 12)



7. Install the Flexi-Fix Wall Mounted Accessory and tighten the grub screw to secure in place. Do not overtighten the grub screw. (See Fig. 13)