

THE SIMPLE WAY FOR PLUMBING IN WASHING MACHINES, DISHWASHERS ETC.

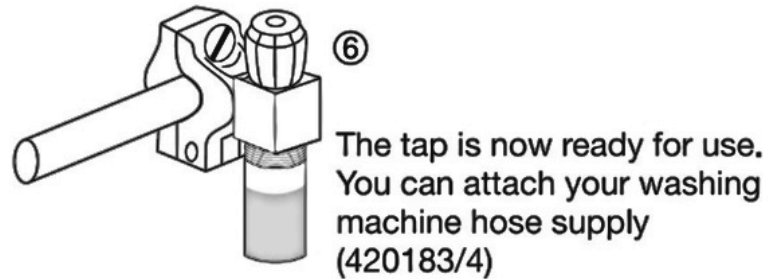
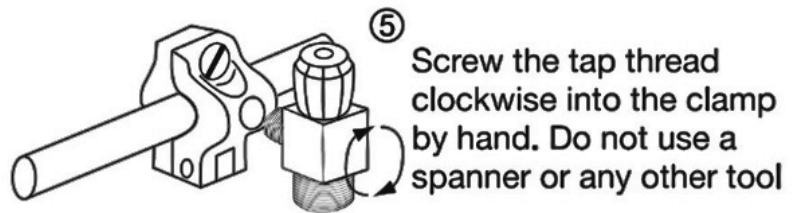
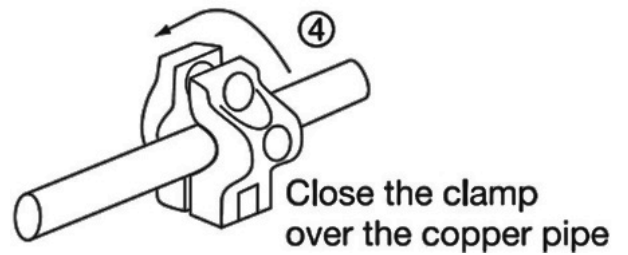
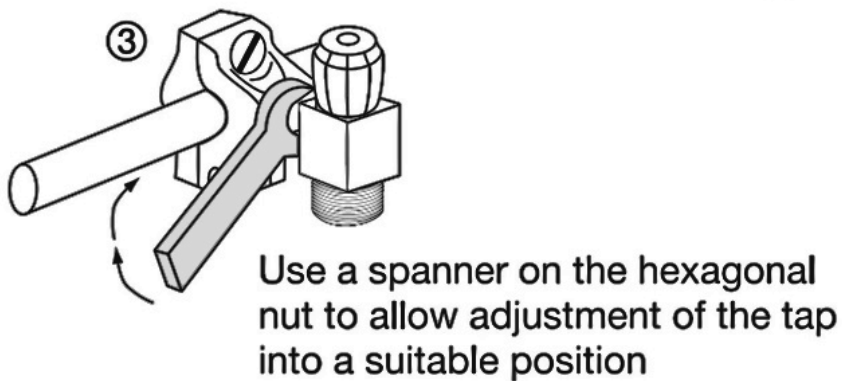
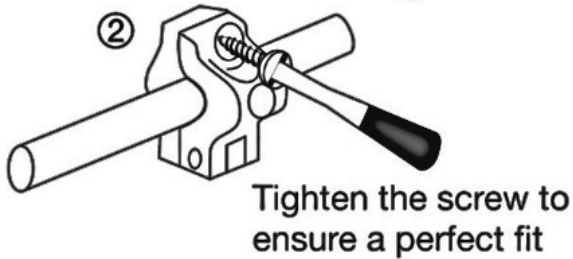
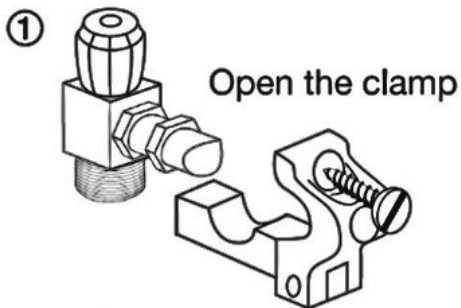
Suitable for use on 15mm Copper Pipe.

For use on hot and cold water.

Fitting instructions:

Tools required: screwdriver and spanner.

Before installing Self Cutting Tap, ensure the valve is in the OFF position.



Product design may vary.

If in doubt, contact a qualified plumber.