



Direct heat, for perfect results

Induction technology is designed to make achieving great results fast and easy. When a pan is placed on a zone, the hob will automatically detect it and send heat directly to the base – keeping the surrounding area cool. And because the hob is totally smooth, it's really easy to keep clean.

Product Benefits & Features

Induction hob is easy to clean, fast and safe

Induction technology only heats the base of the pan, so the surrounding area will remain cool to the touch. And seeing as the surface is completely smooth, it's easy to clean with the wipe of a damp cloth.

- 15 power level digital display
- Wipe clean ceramic hob surface
- 4 Induction zones with Powerboost
- Residual heat indicators
- Child safety control lock
- Easy to reach front controls

Manage every zone, with Touch Controls

The Touch Controls on the induction hob provide a simple way of choosing your settings. The touch-sensitive glass shows temperature options, and all it takes is a tap to select them.

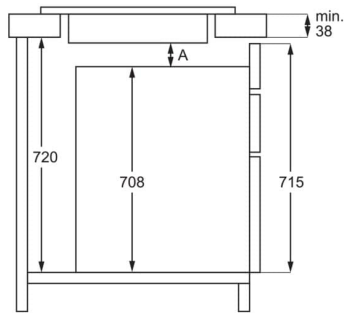
Cooking settings secured, with Key Lock

Activate the hob's Key Lock feature so your settings won't change if they're accidentally knocked or touched. Spills or splashes can be quickly wiped away, and everything will remain unchanged, until you decide they need to be.

Product Specification

Hobs Dimensions	590x520
Aperture dimensions HxWxD in mm	48x560x490
Radius cutting	5
Cord Length	1.5
Dial	2200/2400W/210mm
Rear - Power/Diameter	1400/1500W/145mm
Right front - Power/Diameter	1400/1500W/145mm
Right rear - Power/Diameter	1700/1800W/180mm
Gas supply: natural gas	No
Gas replacement	No
Gas replacement	No
Led Colour	Red
ProdPartCode	All Open
Plug	UK moulded plug included

PSGBHO210DE0000J



A = min. 6mm
only for AEG, Electrolux, Zanussi appliances

A = min. 12mm
all other brands

PSGBHO220DE00003

