

STEP-BY-STEP ILLUSTRATED ASSEMBLY INSTRUCTIONS
(TO BE USED IN CONJUNCTION WITH DOOR FITTING INSTRUCTIONS)



IMPORTANT NOTE TO THE INSTALLER

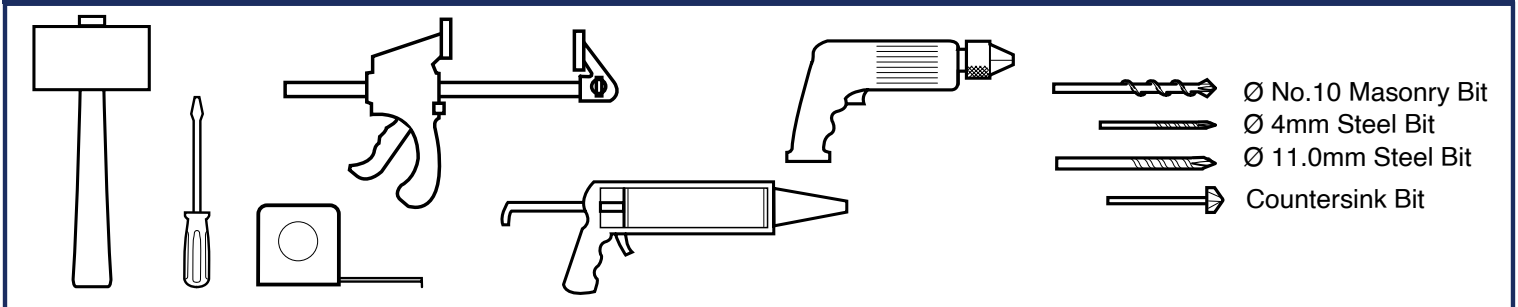
This installation may be required to comply with local building regulations.

Please leave these instructions with the householder after installation has been satisfactorily completed.

Before commencing any work, carefully check all parts to ensure they are complete and free from marks or scratches on all finished surfaces. Read through these instructions to familiarise yourself with the installation procedure. Make sure that you have all the necessary tools and any additional items required e.g. sealant and additional fixings not included in the packs. All nominal dimensions are in mm.

IF IN DOUBT, SEEK EXPERT ADVICE.

TOOLS REQUIRED



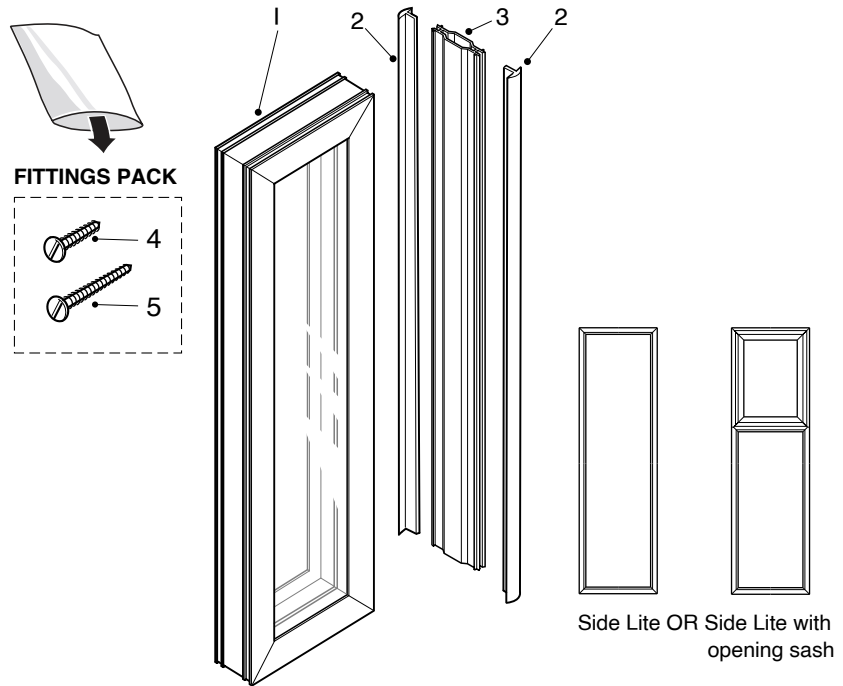
Guarantee Terms and Conditions

This product is covered by a 10-year manufacturer's guarantee. Should any part of it become defective due to faulty materials or manufacture, it will be replaced free of charge (supply only). This guarantee does not cover glass breakage or any fault arising from incorrect installation. The product is not guaranteed against faults or defects that arise out of conditions of use or misuse. Any replacement parts supplied are for DIY and no claim can be accepted for any costs incurred for the installation of replacement parts. This guarantee is given as an extra benefit and does not affect your statutory rights. Please retain your receipt as dated proof of purchase. We reserve the right to change the specification of our products without prior notice. The manufacturer's policy is one of continuous development and improvement and accordingly we reserve the right to change specifications without prior notice. The utmost care has been taken in the manufacture of the Side Lite to ensure that they give complete satisfaction. To the best of our knowledge this product was in perfect condition when it left the factory, but customers should note that claims for damage to glass, uPVC finish or shortages must be submitted before installation. Failure to follow the recommendations set out in these instructions or to install in a manner not approved by the manufacturer may result in all or part of the product guarantee being null and void. The manufacturer reserves the right to disallow claims once the assembly has been installed. This does not affect your statutory rights.

Item	Description	Qty
1	SIDE LITE PANEL, glazed	1
2	JOINT COVER STRIP	2
3	COUPLER, aluminium	1

Fittings Pack contains		Qty
4	FLAT PACKER, 2mm thick, black	6
5	FLAT PACKER, 3mm thick, white	6

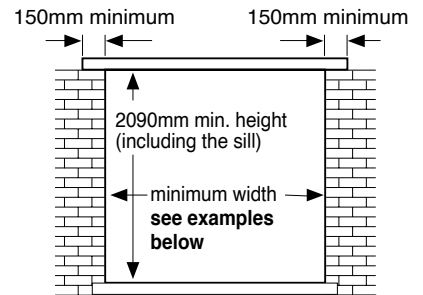
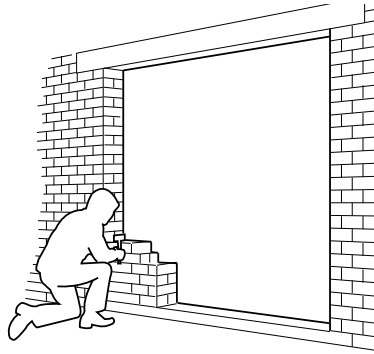
Note:
VENTED HEAD / SILL
 When fitting a Side Lite it will be necessary to replace the original sill (and vented head if required) with a longer item.
 This can be purchased separately.



1 PREPARING THE OPENING

It is important that a suitable lintel is fitted above the opening.

Prepare the opening as described in the door fitting instructions. Alternative brick aperture sizes are shown. A damp-proof membrane must be fitted along the entire bottom length of the aperture.



Examples:
 RESIDENTIAL DOOR 920mm wide FRENCH DOOR 1190, 1490 and 1790mm wide
 SIDE LITE SIZES 300mm wide and 600mm wide

Examples of Total Aperture Width required (allowing 10mm clearance)
 RESIDENTIAL DOOR 920mm + 1 x 300mm Side Lite + 10mm clearance = 1230mm Total Aperture Width
 FRENCH DOOR 1190mm + 2 x 300mm Side Lites + 10mm clearance = 1800mm Total Aperture Width

2 ATTACHING THE SIDE LITE TO ANOTHER UNIT

If there is sufficient space above the door frame to allow the door to be fitted later, installation of the frame may be made easier by lifting the door off the hinges.

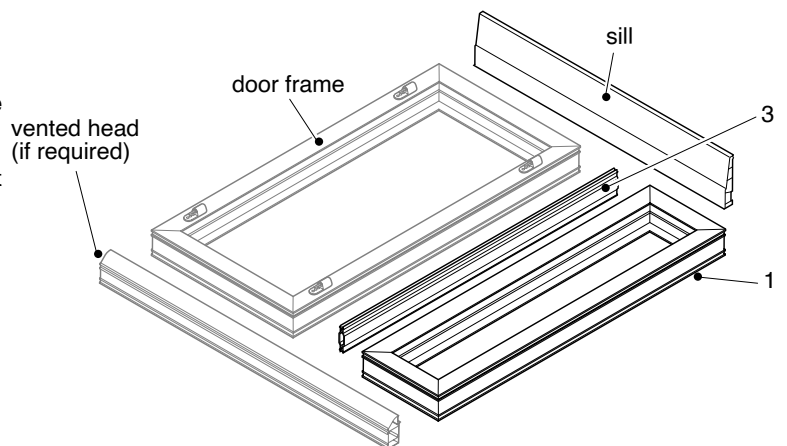
This should only be done if the space above the frame will allow the door to be lifted into position on the hinges after the frame has been installed.

Lay out the Side Lite panel(s) (1) and door frame on an area of flat ground with a soft surface or on a dust sheet to avoid damage to the components, ensuring that they are in the correct positions to each other for the intended installation, with the drain holes to the bottom.

Check that the hinges on the door are facing the correct side (inside or outside) according to the instructions provided with the type of door being used.

Note: The glazing bead of the Side Lite must be on the **inside** for security.

The fixed glass panel in a **Side Lite with an opening sash** is factory fitted with double-sided adhesive tape and the glazing bead faces the **outside** when installed. Do not remove the protective film from the tape until installation has been completed.



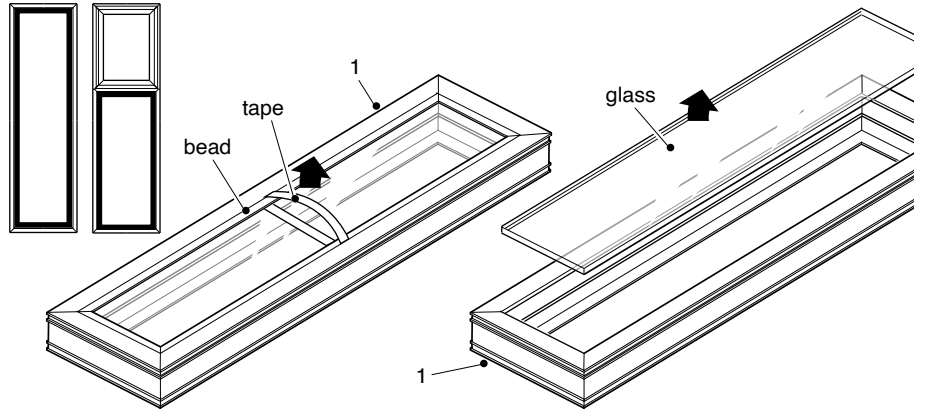
3 PREPARING THE SIDE LITE FOR DRILLING

To avoid damage to the glass when drilling through the frame, carefully remove the bead from around the Side Lite panel by pulling the attached tape. Lift out the glass.

Take care not to lose the glazing packers which are in the bottom of the frame under the glass, as these will have to be replaced with the glass later.

If the Side Lite is fitted with a top opening sash, remove the glass from the fixed section only and work with the sash in the open position.

Handle the glass with extreme care, avoiding any knocks to the unprotected edges.



4 INSTALLATION PREPARATION

Apply a bead of silicone sealant along the side of the Side Lite frame which is to be adjacent to the door.

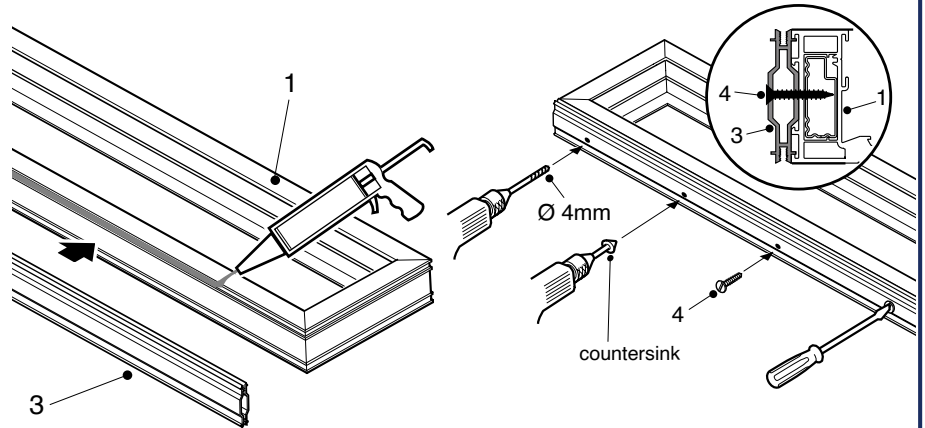
Place the aluminium coupler (3) against the same side of the Side Lite frame.

Drill four equally spaced 4mm diameter holes through the coupler. **It is recommended that these holes are countersunk to allow the coupler to fit tightly against the frame.**

Secure with 4.3 x 40mm screws (4).

Note: If fitting to a patio door, the aluminium coupler will require cutting down by approx. 70mm prior to installation. Fix the coupler to the Side Lite with an equal gap at each end (approx. 35mm).

Repeat this procedure if a second Side Lite is being fitted to the other side of the door, ensuring that the coupler is drilled and fitted on the correct side of the Side Lite.



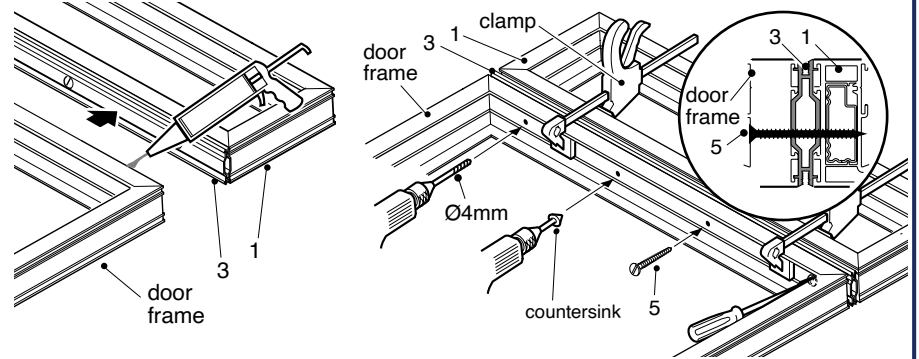
5 INSTALLATION PREPARATION pt.2

Place a bead of silicone sealant along the side of the door to which the Side Lite is being fitted. Clamp the Side Lite frame with the attached coupler against the door frame, ensuring that the drain holes are at the bottom of the frame.

From inside the door frame, drill four equally spaced 4mm diameter holes through the frame and coupler into the Side Lite frame. It is recommended that these holes are countersunk to allow the screws to seat correctly.

Secure with 55mm element screws (5).

Repeat this procedure if a second Side Lite is being fitted to the other side of the door, ensuring that it is drilled and fitted on the correct side.



6 INSTALLATION PREPARATION pt.3

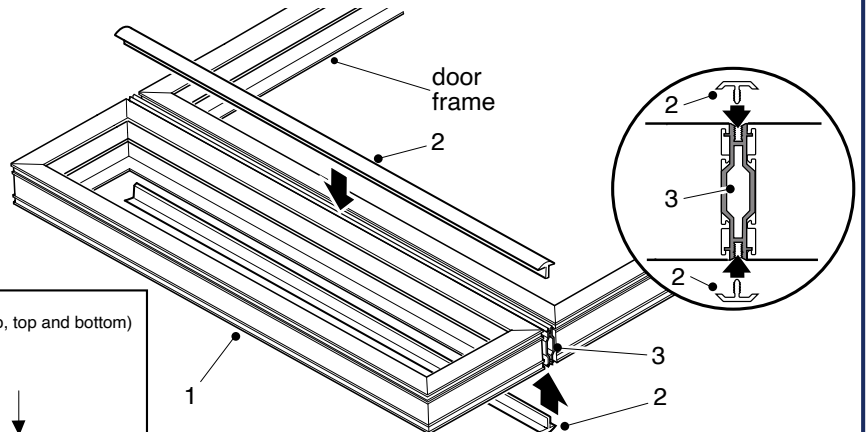
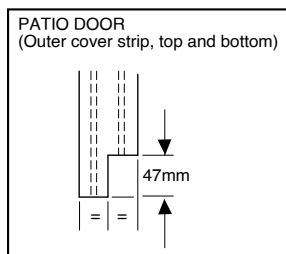
Remove the clamps.

Fit the joint cover strips (2). These may be a very tight fit and it is recommended that a rubber headed hammer or mallet is carefully used to strike the cover strips into position.

If the coupler cover strips are not a tight fit, use silicone sealant to ensure that they are fixed securely.

If fitting to a patio door, the gaps at the ends of the aluminium coupler require filling with gap filler or silicone, prior to installing the cover strips.

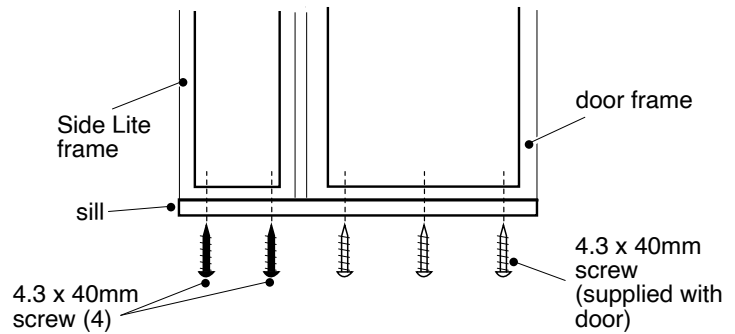
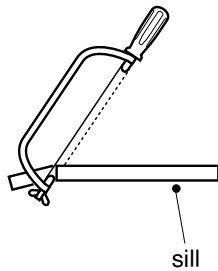
The outer cover strip will require trimming as shown to clear the frame corner moulding.



7 INSTALLING THE SILL

Cut the sill to the required length.

Secure the sill to the bottom of the assembled frame following the instructions supplied with the door pack, using two 4.3 x 40mm screws (4) to fix the Side Lite to the sill.

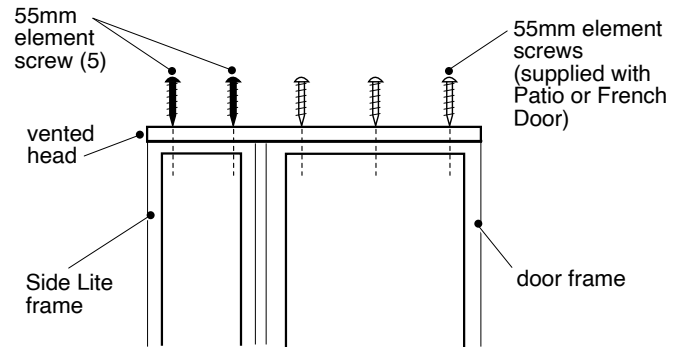
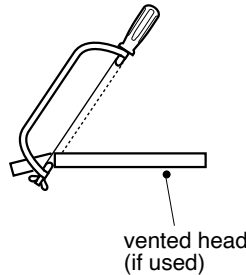


8 INSTALLING THE VENTED HEAD

Patio and French Door only.

Cut the vented head to the required length.

Secure it to the top of the assembled frame following the instructions supplied with the door, using two 55mm element screws (5) to fix the Side Lite to the head.



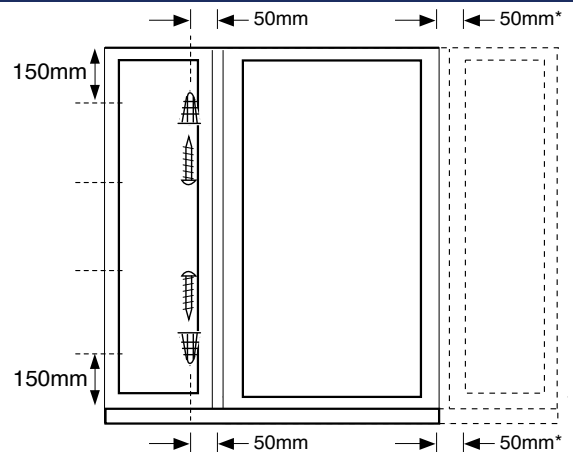
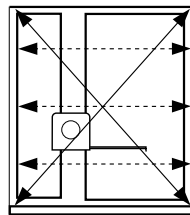
9 FITTING THE FRAME

Lift the assembled frame into the aperture and secure to the brickwork following the instructions supplied with the door, checking that the frame is **plumb and square**.

Additional fixings (not supplied) near to the coupler(s) may be required to ensure that the frame is securely fastened to the brickwork.

When satisfied that the frame is fitted correctly, refit the door referring to the door instructions for hinge adjustment and fitting of compression wedges.

French Door only. Fix the inner vent controls to the inside of the head following the instructions supplied with the door.



* Repeat extra fixings at opposite side if two Side Lites are being used

10 COMPLETING SIDE LITE INSTALLATION

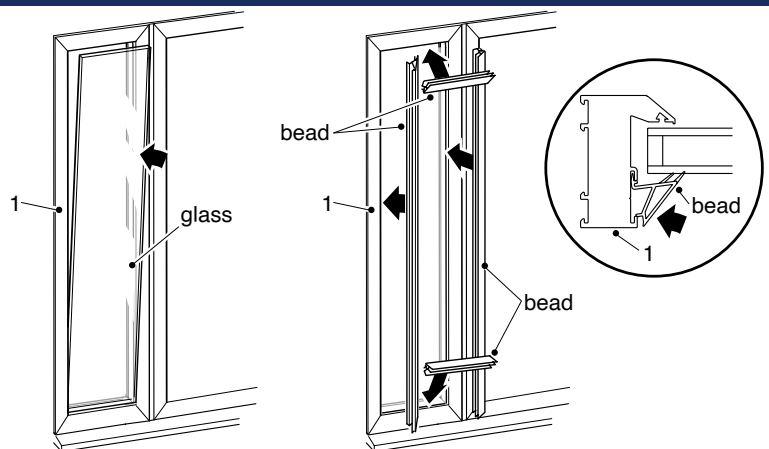
Carefully refit the glass panel to the Side Lite, with the glazing packers at the bottom.

Ensure that the glass is refitted the correct way round (see label on glass).

If the Side Lite is fitted with a sash, peel the protective film from the double-sided tape on the frame before replacing the glass and fitting the beads.

Replace the top and bottom beads first, then the side beads, knocking them into position with a rubber headed hammer or mallet.

Continue with the installation and sealing of the doors following the instructions supplied with the door.



CARE AND MAINTENANCE OF YOUR uPVC SIDE LITE

Cleaning and Maintenance

When installation has been completed, initial cleaning down should take place. Remove any mastic with white spirit and wash down with a mild detergent mix. The surfaces should be regularly cleaned with soap or mild detergent and water. After cleaning, surfaces should be washed down with clean water and dried.