

## STEP-BY-STEP ILLUSTRATED ASSEMBLY INSTRUCTIONS



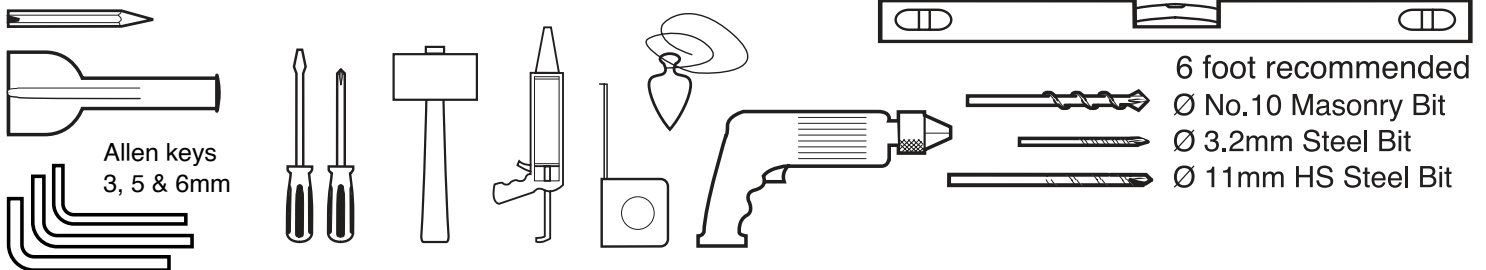
### IMPORTANT NOTE - ARCHED DOOR

If fitting an arched door, please ensure that the aperture is built to the correct dimensions (see inside) by a qualified builder. Please refer to local building regulations to check that the intended installation complies with requirements.

**Before commencing any work, carefully check all parts to ensure they are complete and free from marks or scratches on all finished surfaces. Read through these instructions to familiarise yourself with the installation procedure. Make sure that you have all the necessary tools and any additional items required e.g. sealant and additional fixings not included in the packs. All nominal dimensions are in mm.**

**IF IN DOUBT, SEEK EXPERT ADVICE.**

### TOOLS REQUIRED



### Guarantee Terms and Conditions

*This product is covered by a 10 year manufacturer's guarantee. Should any part of it become defective due to faulty materials or manufacture, it will be replaced free of charge (supply only). This guarantee does not cover glass breakage or any fault arising from incorrect installation. The product is not guaranteed against faults or defects that arise out of conditions of use or misuse. The 10 year guarantee is applicable to the frame only. The 2 year guarantee is applicable to the glass units and hardware. Any replacement parts supplied are for DIY and no claim can be accepted for any costs incurred for the installation of replacement parts. This guarantee is given as an extra benefit and does not affect your statutory rights. Please retain your receipt as dated proof of purchase. We reserve the right to change the specification of our products without prior notice.*

*The manufacturer's policy is one of continuous development and improvement and accordingly we reserve the right to change specifications without prior notice. The utmost care has been taken in the manufacture of the French Door to ensure that they give complete satisfaction. To the best of our knowledge this product was in perfect condition when it left the factory, but customers should note that claims for damage to glass, uPVC finish or shortages must be submitted before installation. Failure to follow the recommendations set out in these instructions or to install in a manner not approved by the manufacturer may result in all or part of the product guarantee being null and void. The manufacturer reserves the right to disallow claims once the assembly has been installed. This does not affect your statutory rights.*

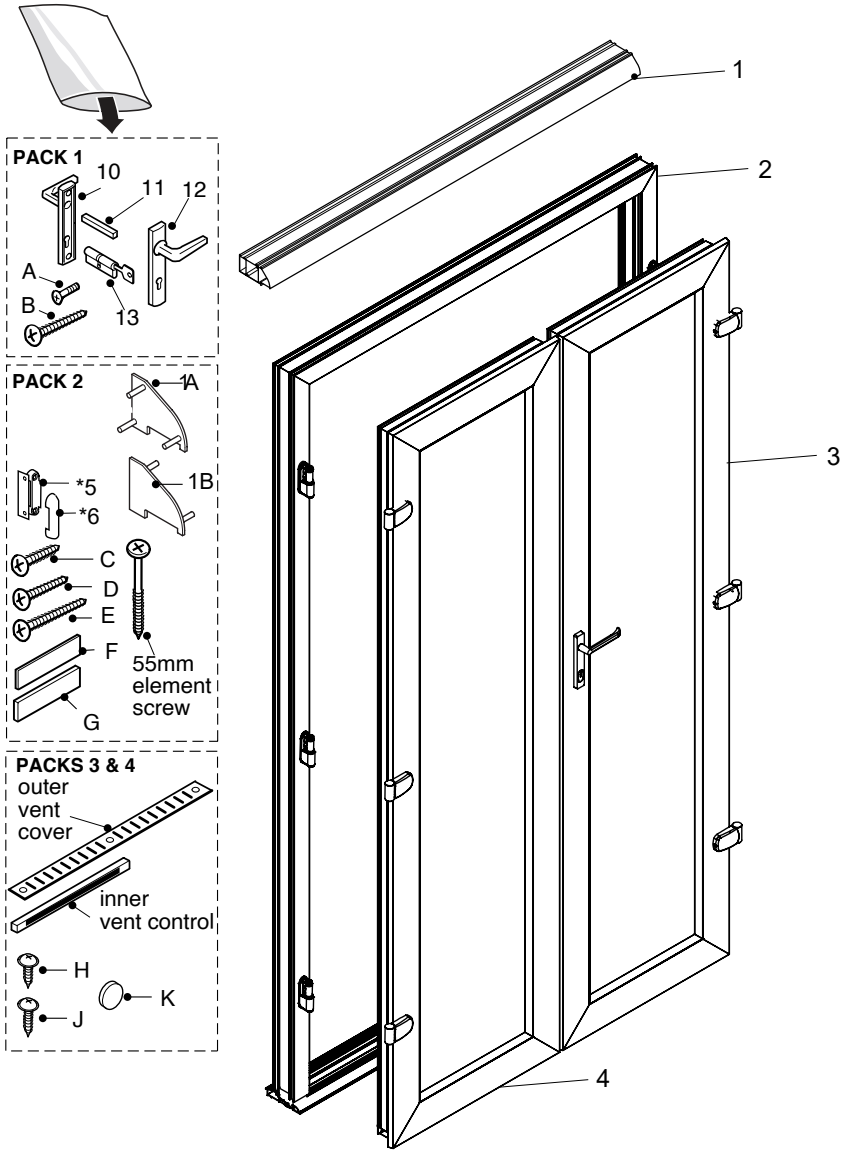
Item	Description	Qty
1	# VENTED HEAD	1
2	FRAME	1
3	LOCKING DOOR with hinges and lock	1
4	SLAVE DOOR with hinges and thumb lock	1
5	*COMPRESSION WEDGE	2
6	*COVER for compression wedge	2

For convenience the fittings are supplied in packs as follows:

Pack 1 contains		Qty
	HANDLE (Items 10, 12)	1 pair
	LOCK OPERATING BAR (Item 11)	1
A	LOCK CYLINDER RETAINING SCREW	1
	LOCK CYLINDER (Item 13) with keys	1
B	HANDLE FIXING SCREW	2

Pack 2 contains		Qty
	SILL END CAP (Items 4,7)	1 pair
	*COMPRESSION WEDGE (Items 8, 9)	2
	SCREW, 55mm element	3
C	SCREW, 4.3 x 25mm	8
D	SCREW, 4.3 x 30mm	12
E	SCREW, 4.3 x 40mm	4
F	FLAT PACKER, 2mm thick, black	8
G	FLAT PACKER, 3mm thick, white	8
1A	# END CAP for vented head, left hand	1
1B	# END CAP for vented head, right hand	1

# Pack 3 and 4 each contain		Qty
	INNER VENT CONTROL	1
	OUTER VENT COVER	1
H	SCREW, outer vent cover	3
J	SCREW, inner vent control	3
K	SCREW COVER CAP	3
# Not included for an Arched French Door		



Note:  
The 4 foot (1200mm) French Door is supplied with the doors fitted to the frame.  
\* Foiled French Doors are not supplied with compression wedges but are factory fitted with a third hinge.

To ensure that the door operates smoothly it is vital that the frame is installed correctly. The frame **MUST** be fitted plumb and square. Check with a spirit level of adequate length, by measuring the frame corner to corner diagonally to achieve an equal measurement, or by using a square. It is also recommended that the door is checked for bowing by using a long straight edge.

The doors always open outwards. Two people may be required to lift the frame into place.

## 1 PREPARING THE OPENING

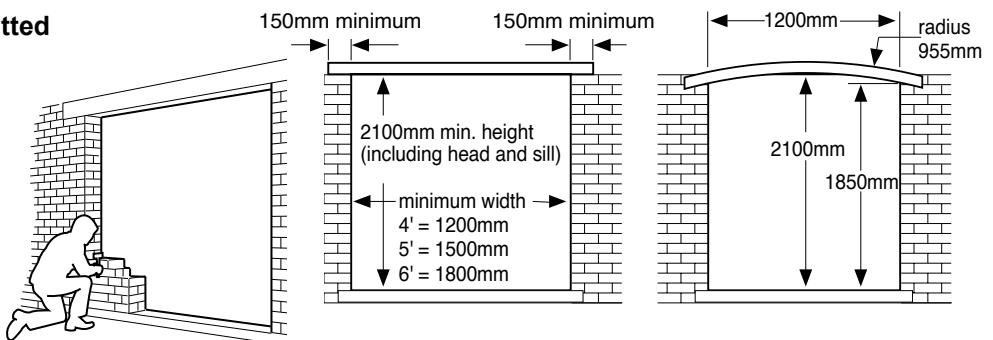
It is important that a suitable lintel is fitted above the opening.

Cut brickwork with a 230mm diameter angle grinder (available from hire shops) and remove bricks using a cold chisel and hammer.

Alternative brick aperture sizes for the French Door are shown.

Note: The height of a vented head (1) is 44mm.  
# A vented head is NOT available for an arched door.

Fit a damp-proof membrane along the bottom of the aperture.

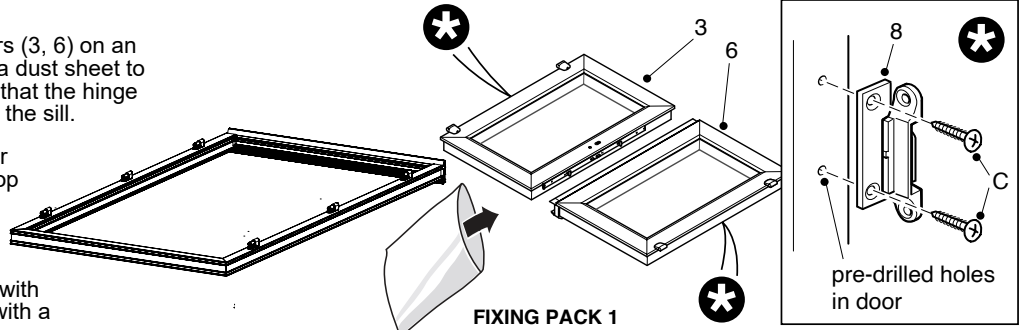


## 2 ASSEMBLING THE uPVC FRAME

Remove the doors (if fitted) from the frame. Lay out the frame, vented head (1) and doors (3, 6) on an area of flat ground with a soft surface or on a dust sheet to avoid damage to the components, ensuring that the hinge pins on the frame point upwards, away from the sill.

Fit the compression wedges (8) to each door at the two pre-drilled holes in line with the top and bottom hinges using two 4.3 x 25mm screws (C), taking care not to snap the two components apart.

Note: Foiled French Doors are not supplied with compression wedges, but are factory fitted with a third hinge.



**DO NOT FASTEN TO THE OUTER FRAME AT THIS STAGE.**

The doors always open outwards. Two people may be required to lift the frame into place.

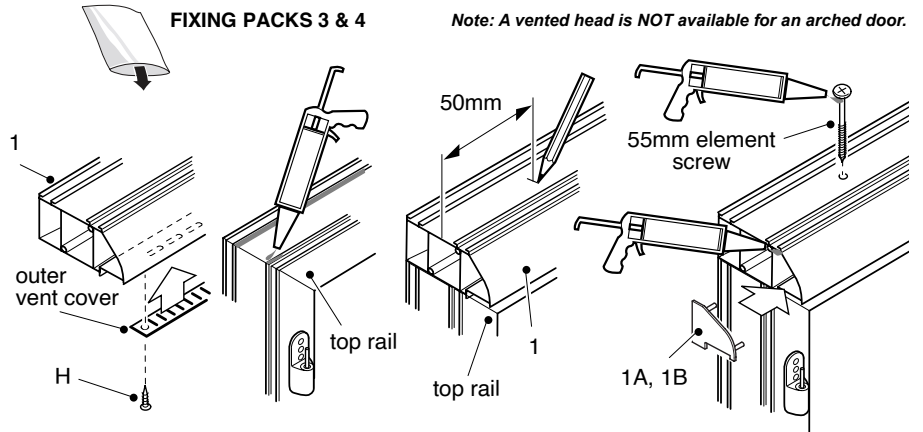
## 3 APPLYING THE SEALANT

Before fitting the vented head (1), position the outer vent covers to the outside of the head over the pre-drilled slots and fix with the smaller self-tapping screws (H).

Apply a bead of a suitable grade of silicone sealant along the inner raised edges on the top rail if the frame and position the head onto the frame.

Measure a distance of approximately 50mm from each end of the head and mark with a pencil. Drill through the head and the frame with a 3.2mm drill at the marked positions and fix with three 55mm element screws.

Apply a bead of silicone sealant to each end of the vented head (just the length of the end cap), then push the end caps (1A, 1B) into place so that the locating pegs fit tightly into the the head.



## 4 INSTALLING THE uPVC FRAME

Push the frame firmly into the aperture.

On the left and right jambs of the frame, measure approximately 150 mm downwards from the top and approximately 150 mm upwards from the bottom of the frame and mark with a pencil. Mark two further points, equally spaced between the top and bottom ones, on each jamb.

Drill through the frame at these marks with a steel bit (size to suit the fixings being used to fit the frame to the wall), then drill into the wall with a suitable masonry drill bit.

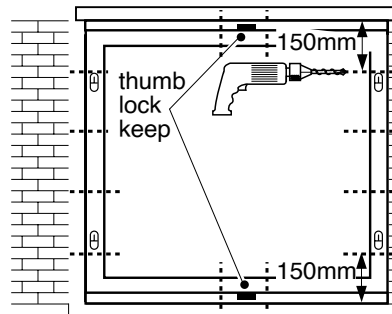
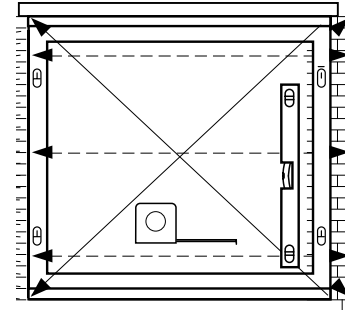
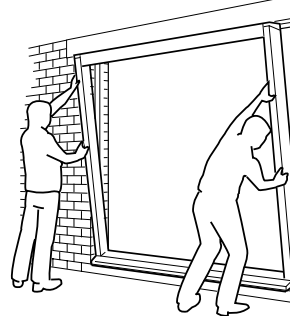
Insert the required flat packers (F, G) between frame and wall.

Fix the frame using suitable fittings (not supplied) applicable to the type of wall construction, applying a bead of silicone under each screw head before tightening.

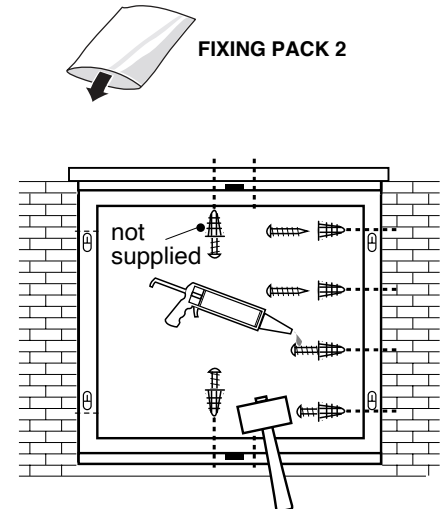
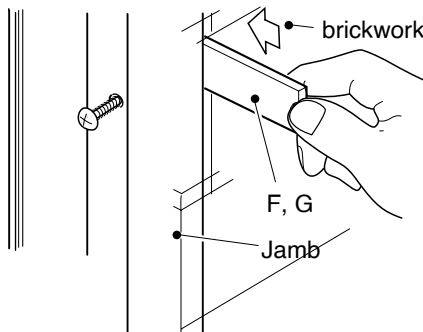
It is recommended that the frame is also secured to the brickwork through the head and the sill to prevent any movement when the door is used.

Two equally spaced holes should be drilled either side of the thumb-lock keeps (top and bottom), and suitable fixings inserted.

Apply a bead of silicone under each screw head before tightening. When tightened, cover each screw head with silicone sealant to prevent water ingress.



The majority of operating problems occur because the frame is not plumb and square. Check by using a spirit level and by measuring the diagonals.

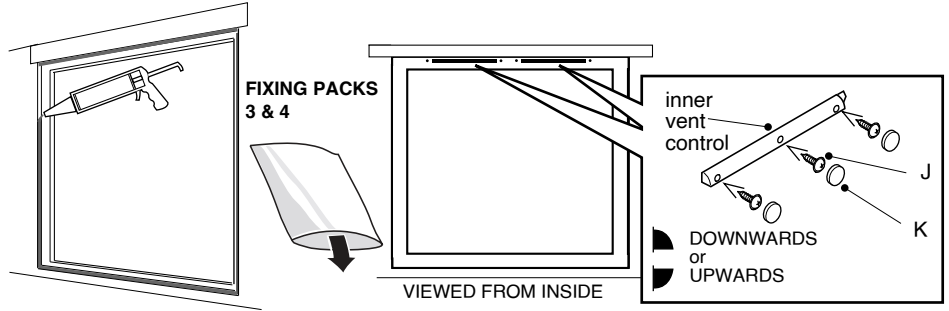


## 5 GAP FILLING AND VENT CONTROL

Fill gaps between masonry and the frame; if the gaps are too wide a proprietary expanded P.U. filler or foam rod may be used, prior to finishing with a suitable grade of silicone sealant.

Fix the inner vent controls to the inside of the frame using the larger self-tapping screws (J) and screw cover caps (K) provided.

The vent controls may be fitted facing either upwards or downwards, depending on personal preference.

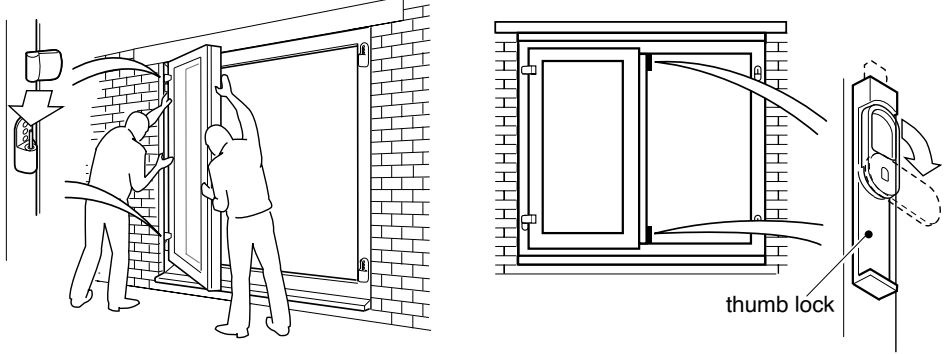


## 6 INSTALLING THE SLAVE DOOR

Lift the slave door (6) into position and lower it onto the hinge pins.

Check that the door closes squarely to the frame and that the thumb locks on the mid rail engage in the plates at the top and bottom of the frame.

Adjust the hinges to ensure that the door is level with the outer frame when closed and that it operates correctly (see stage 10).



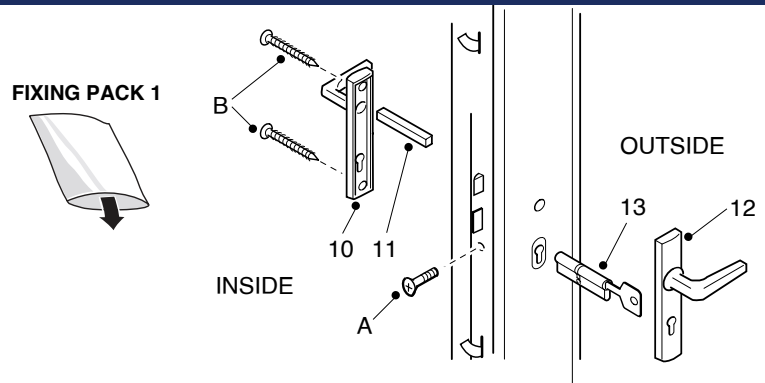
## 7 INSTALLING THE LOCKING DOOR

It is recommended that the door furniture is fitted before lifting the locking door (3) into position. Insert the key in the lock cylinder (13) and turn it so that the lever lines up with the barrel, then locate through lock aperture in the door frame.

Fix in place with the M5 x 35mm countersunk head screw (A) provided.

Insert the square profile lock operating bar (11) into the upper square hole in the lock. Position the handles (10, 12) onto the door frame and secure to the door with the screws (B) provided.

Test the lock operation while the door is open.

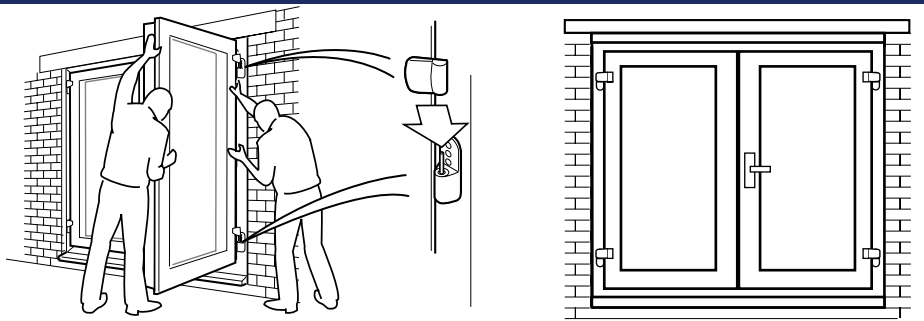


## 8 FITTING THE LOCKING DOOR

Lift the locking door (3) into position and lower it onto the hinge pins.

Check that the door closes squarely to the frame and that the lock operates correctly.

Do not force the doors to close together, but carefully adjust the hinges as in Step 10.



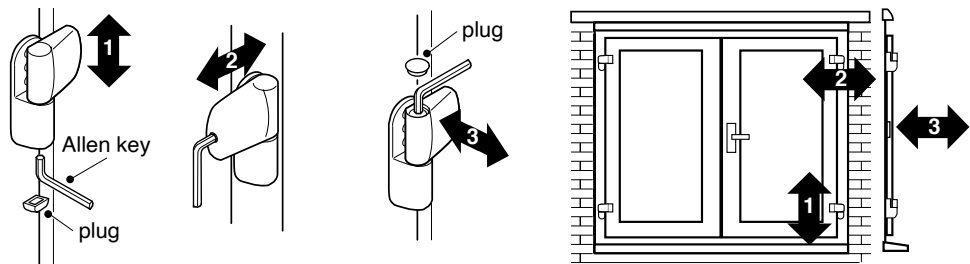
## 9 DOOR ALIGNMENT CHECK

Minor misalignment of the doors can be rectified by adjusting the hinges.

**If the doors do not line up squarely with each other, the lock will not operate correctly.**

Access to the hinge adjusters is gained by removing the plugs and making the relevant adjustment with the 5mm or 6mm Allen keys.

Replace the plugs when satisfied with the adjustment.

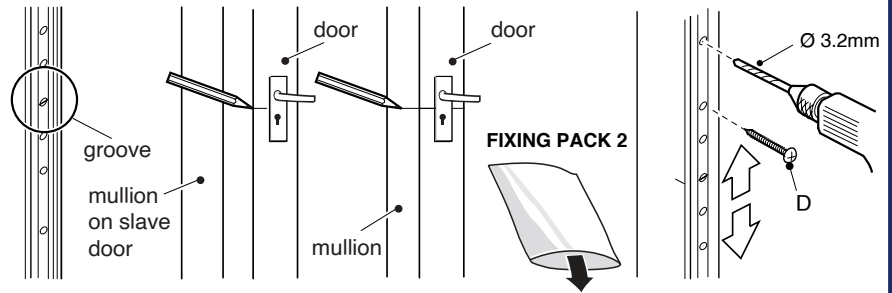


## 10 LOCK KEEP INSTALLATION

The lock keep is temporarily screwed in place. With a pencil, draw a short line on the outside face of the door level with the groove in the centre of the door lock.

Close the locking door and continue the pencil line onto the mullion on the slave door. Align the groove on the lock keep with the pencil line and tighten the fixing screws.

Drill through the remaining holes in the lock keep into the mullion and fit the remaining 4.3 x 30mm screws (D) through the lock keep.



## 11 DOOR LOCK TESTING

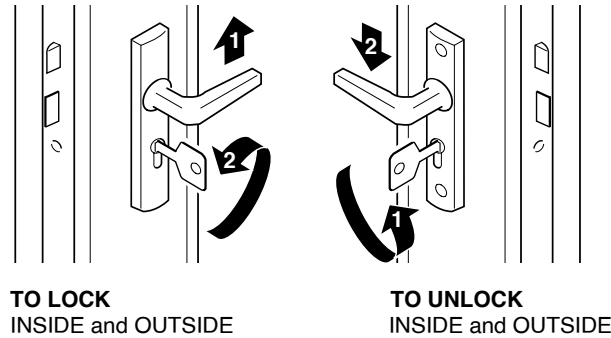
Test the door lock for correct operation.

If necessary, the lock keep can be adjusted by slackening the screws and gently moving it up or down until the lock operates correctly. Re-tighten the screws.

The roller guide plates and latch plate may need adjusting to suit - refer to the Troubleshooting Guide.

**To lock the door**, push the handle upwards when the door is closed. This engages the dead bolts. Turn the key towards the slave door to engage the dead bolt.

**To unlock the door from the inside**, turn the key away from the slave door and push the handle downwards to disengage the dead bolts.



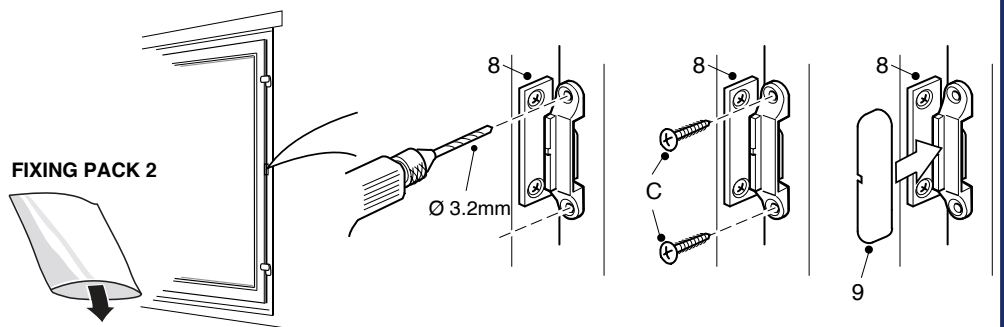
## 12 COMPRESSION WEDGES

When the door has been correctly adjusted, drill through the holes in the compression wedges with a 3.2mm drill bit, into the door frame. Secure each bracket with two 4.3 x 25mm screws (C).

Clip the plastic cover (9) over the bracket.

The blades of the compression wedges will snap free when the door is opened for the first time.

*Note: Foiled French Doors are not supplied with compression wedges, but are factory fitted with a third hinge.*



## CARE AND MAINTENANCE OF LOW THRESHOLD FRENCH DOOR

### Cleaning and Maintenance

When installation has been completed, initial cleaning down should take place. Remove any mastic with white spirit and wash down with a mild detergent mix. The surfaces should be regularly cleaned with soap or mild detergent and water. After cleaning, surfaces should be washed down with clean water and dried. At suitable intervals during the service life of the window, any component parts should be lightly oiled.