

STEP-BY-STEP ILLUSTRATED ASSEMBLY INSTRUCTIONS



IMPORTANT NOTE TO THE INSTALLER

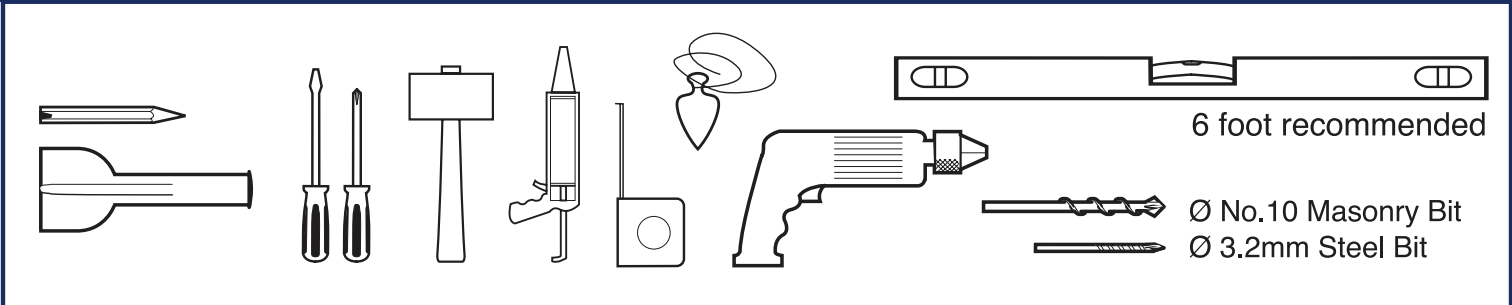
This installation may be required to comply with local building regulations.

Please leave these instructions with the householder after installation has been satisfactorily completed.

Before commencing any work, carefully check all parts to ensure they are complete and free from marks or scratches on all finished surfaces. Read through these instructions to familiarise yourself with the installation procedure. Make sure that you have all the necessary tools and any additional items required e.g. sealant and additional fixings not included in the packs. All nominal dimensions are in mm.

IF IN DOUBT, SEEK EXPERT ADVICE.

TOOLS REQUIRED



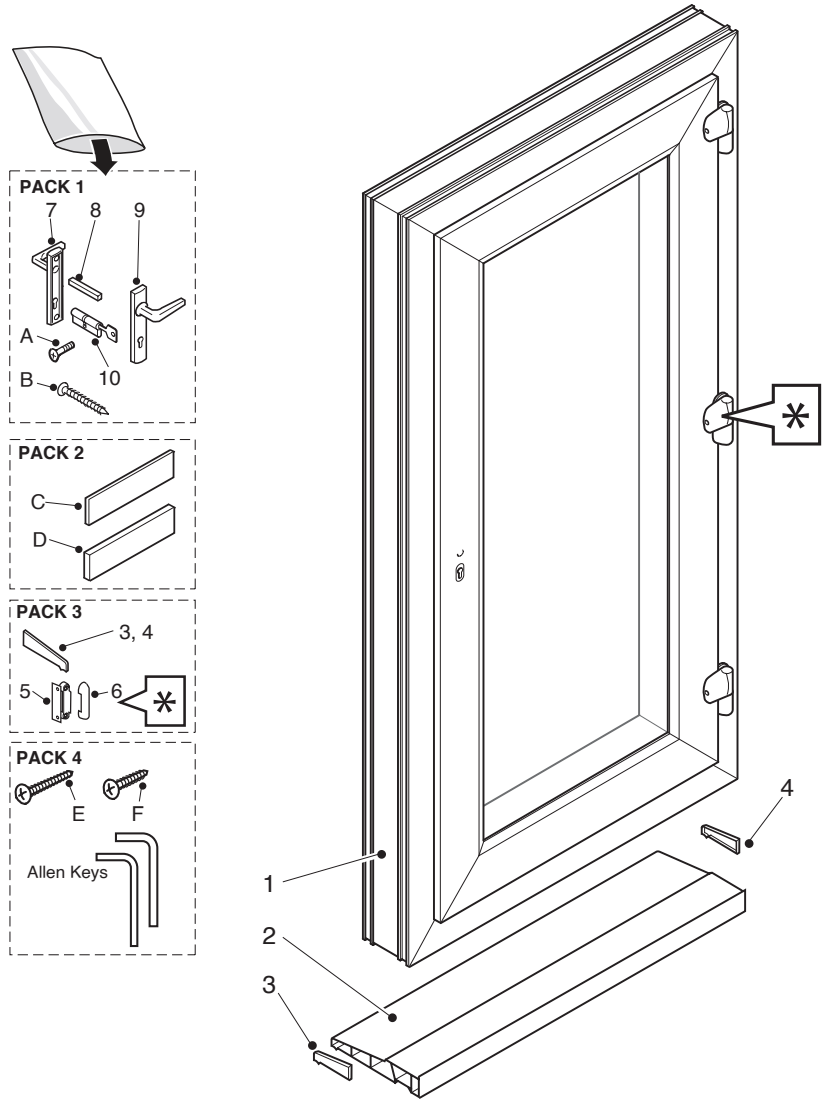
Guarantee Terms and Conditions

This product is covered by a 10-year manufacturer's guarantee. Should any part of it become defective due to faulty materials or manufacture, it will be replaced free of charge (supply only). This guarantee does not cover glass breakage or any fault arising from incorrect installation. The product is not guaranteed against faults or defects that arise out of conditions of use or misuse. Any replacement parts supplied are for DIY and no claim can be accepted for any costs incurred for the installation of replacement parts. This guarantee is given as an extra benefit and does not affect your statutory rights. Please retain your receipt as dated proof of purchase. We reserve the right to change the specification of our products without prior notice. The manufacturer's policy is one of continuous development and improvement and accordingly we reserve the right to change specifications without prior notice. The utmost care has been taken in the manufacture of the Residential Door to ensure that it gives complete satisfaction. To the best of our knowledge this product was in perfect condition when it left the factory, but customers should note that claims for damage to glass, uPVC finish or shortages must be submitted before installation. Failure to follow the recommendations set out in these instructions or to install in a manner not approved by the manufacturer may result in all or part of the product guarantee being null and void. The manufacturer reserves the right to disallow claims once the assembly has been installed. This does not affect your statutory rights.

Item	Description	Qty
1	DOOR and FRAME ASSEMBLY	1
2	SILL	1
3	END CAP for sill, right hand	1
4	END CAP for sill, left hand	1
5	*COMPRESSION HINGE	1
6	*COVER for compression hinge	1
7	HANDLE, inner	1
8	LOCK SPINDLE	1
9	HANDLE, outer	1
10	LOCK CYLINDER, with keys (*If supplied in place of centre hinge)	1

For convenience the fittings are supplied in packs as follows:

Pack 1	contains	Qty
	HANDLES (Items 7, 8, 9)	
	LOCK CYLINDER (Item 10)	
A	LOCK CYLINDER RETAINING SCREW	1
B	HANDLE FIXING SCREW	2
Pack 2	contains	Qty
C	FLAT PACKER, 2mm thick, black	8
D	FLAT PACKER, 3mm thick, white	8
Pack 3	contains	Qty
	SILL END CAP (Items 3, 4)	2
	*COMPRESSION HINGE (Item 5)	1
	*COVER for compression hinge (Item 6)	1
	(*If supplied in place of centre hinge)	
Pack 4	contains	Qty
E	SCREW, 4.3 x 40mm	12
F	*SCREW, 4.3 x 25mm	4
	ALLEN KEY, 5.0 A/F	1
	ALLEN KEY, 6.0 A/F	1
	(*For compression hinge if supplied)	



* Certain doors are fitted with a compression hinge instead of a middle hinge.

To ensure that the door operates smoothly it is vital that the frame is installed correctly. The frame **MUST** be fitted plumb and square. Check with a spirit level of adequate length, by measuring the frame corner to corner diagonally to achieve an equal measurement, or by using a square. It is also recommended that the door is checked for bowing by using a long straight edge.

Ensure that the frame is not distorted when tightening the wall fixings by regularly measuring the door horizontally. Use packers as required to prevent bowing. It is recommended that during frame installation **ALL** aspects are double checked prior to the final installation as the operation of the door and lock will be affected if the frame is fitted incorrectly.

The doors always open outwards. Two people may be required to lift the frame into place.

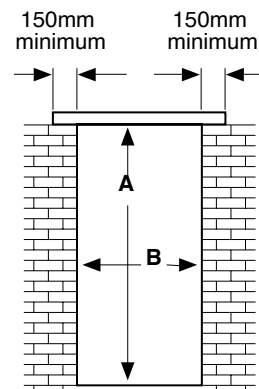
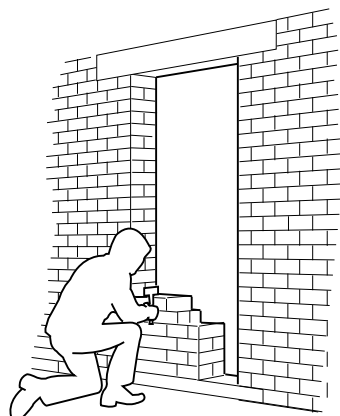
1 PREPARING THE OPENING

It is important that a suitable lintel is fitted above the opening.

Cut brickwork with a 230mm diameter angle grinder (available from hire shops) and remove bricks using a cold chisel and hammer.

Alternative brick aperture sizes for the door are shown.

Fit a damp-proof membrane along the bottom of the aperture.

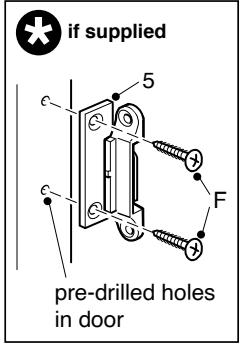
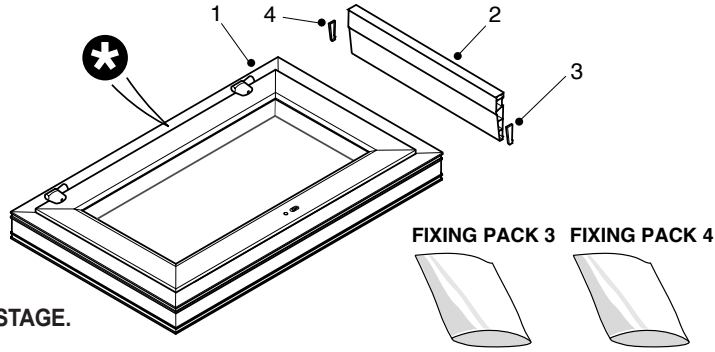


A 2090mm height
B minimum width
925 front door
845 rear door

2 ASSEMBLING THE FRAME

Lay out the frame and door assembly (1) and the sill (2) on an area of flat ground with a soft surface or on a dust sheet to avoid damage to the components.

If a compression hinge (5) is supplied, fit the compression hinge to the door at the two pre-drilled holes in line with the top and bottom hinges using two 4.3 x 25mm screws (F), taking care not to snap the two components apart.



DO NOT FASTEN TO THE OUTER FRAME AT THIS STAGE.

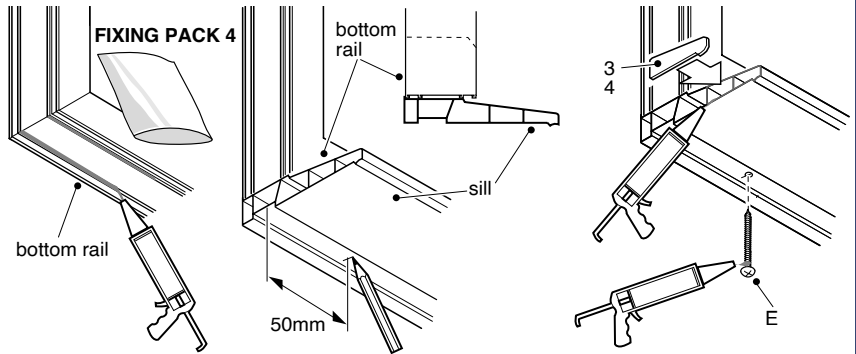
3 APPLYING SEALANT

a) Apply a bead of an all-purpose silicone sealant along the inner raised edges on the bottom rail of the frame (taking care not to block the drainage holes) and position the sill onto the frame.

b) Measure a distance of approximately 50mm from each end of the sill and mark with a pencil.

c) Drill through the sill and the frame with a 3.2mm drill at the marked positions and fix with two 4.3 x 40mm screws (E).

Coat the ends of the sill with silicone sealant and push the end caps (3, 4) into position.



4 INSTALLING THE FRAME

If there is sufficient space above the door frame to allow the door to be fitted later, installation of the frame may be achieved by one person by lifting the door off the hinges.

This should only be done if the space above the frame will allow the door to be lifted into position on the hinges.

a) Open the door and push the frame firmly into aperture.

b) Place equally spaced flat packers (C, D) under the sill to ensure that the door is level. Check that the frame is plumb and square by using a spirit level and measuring the frame diagonally from corner to corner to achieve an equal measurement. Check that the door frame is not bowed as this can cause problems later in the installation.

c) Using the 11.0mm diameter high speed drill bit, drill pilot holes through the frame towards the brickwork on both the verticals. The holes should be approximately 150mm from each corner and further holes 300mm apart.

Change to a 10.0mm masonry drill bit and continue drilling into the brickwork to the depth required to suit the wall fixings (not supplied).

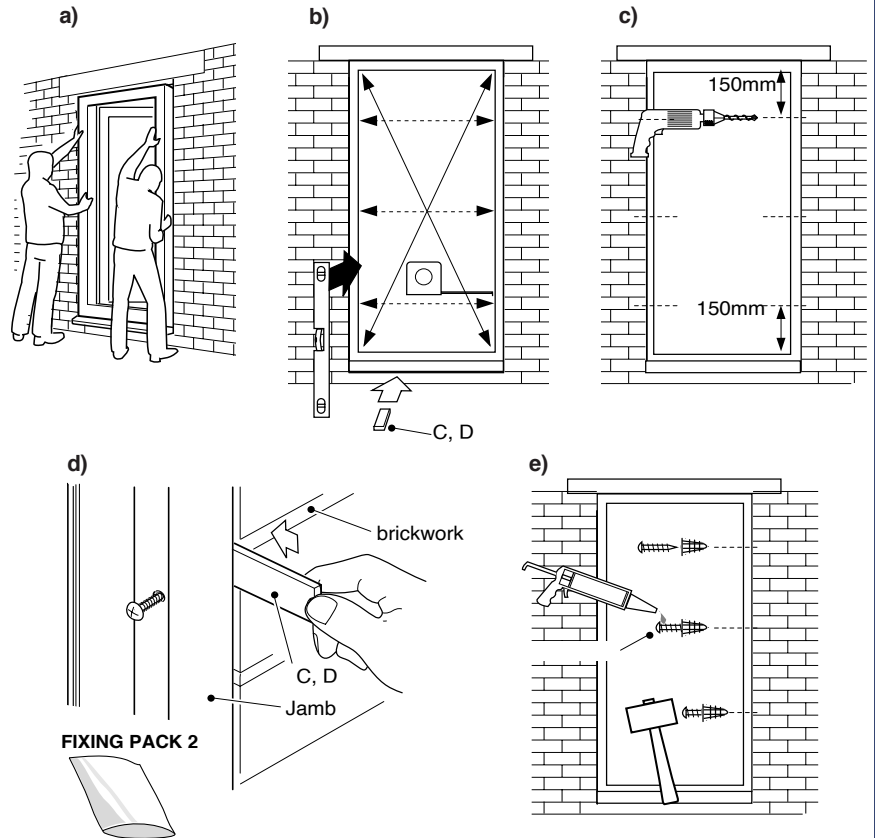
d) Insert the flat packers where required between the frame and the wall to ensure that the jamb remains plumb.

e) Fix the frame using suitable fittings applicable to the type of wall construction.

Apply a bead of all-purpose silicone sealant under each screw head before tightening, taking care not to distort the frame when tightening (check the frame width regularly to ensure that the frame is even).

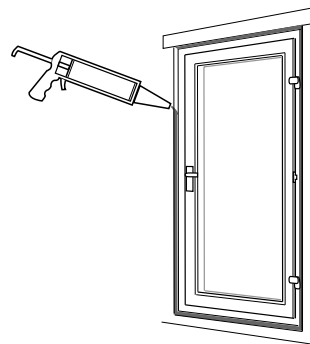
Re-check the installation as in b) before continuing.

If the door has been removed prior to fitting the frame, carefully rehang it by lifting it over the hinges ensuring that the hinge pins are in line before lowering the door onto them.



5 GAP FILLING AND VENT CONTROL

Fill any gaps between masonry and the frame; if the gaps are too wide, a proprietary expanded P.U. filler or foam rod may be used, prior to finishing with an all-purpose silicone sealant.



6 INSTALLING THE LOCK CYLINDER

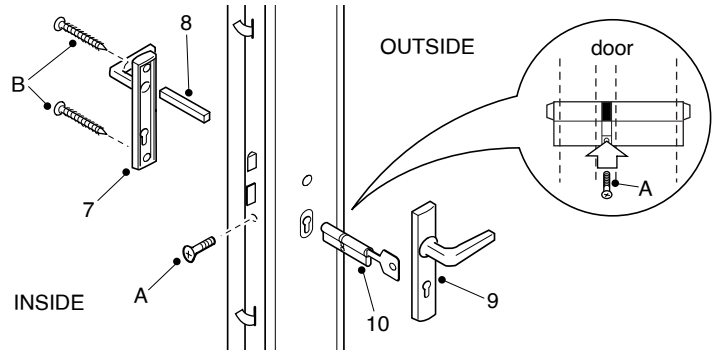
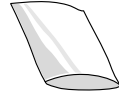
Insert the key in the lock cylinder (10) and turn it so that the lever lines up with the barrel.

Push the cylinder through the lock aperture in the door, ensuring that an equal amount is visible on either side of the door. If the cylinder is the wrong way round the retaining bolt will not pass through the hole- remove the cylinder, turn it round and replace it in the aperture.

Fix the lock cylinder in place with the M5 x 35mm countersunk head screw (A) provided.

Push the lock spindle (8) through the top hole in the lock. Position the handles onto the door and insert the screws (B) through the inner handle into the outer handle.

FIXING PACK 1



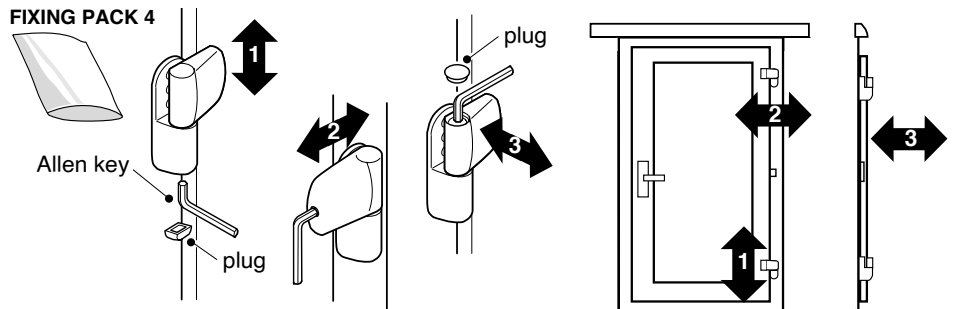
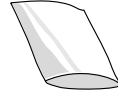
7 DOOR ALIGNMENT CHECK

The doors are factory set to hang in the frame correctly. If after fitting the door does not align properly, the hinges can be adjusted to realign the door.

To check if the sash is square in the frame, check that the corner grooves on the sash line up with the grooves on the outer frame.

Note: to achieve adequate weatherproofing, 8.0mm sash coverage is required at the lock side - this is achievable by adjusting the hinges to suit. Access to the hinge adjusters is gained by removing the plugs and making the relevant adjustment with an Allen key.

FIXING PACK 4

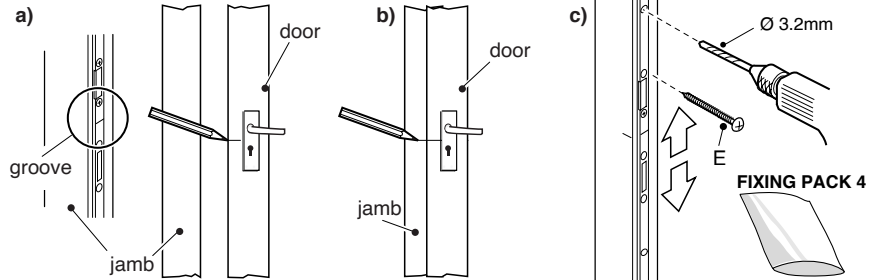


8 SECURING THE LOCK KEEP

a) The lock keep is temporarily screwed in place. With a pencil, draw a short line on the outside face of the door level with the groove in the centre of the door lock.

b) Close the door and continue the pencil line onto the jamb.

c) Align the groove on the lock keep with the pencil line and tighten the fixing screws. Drill through the remaining holes in the lock keep into the jamb and fit the remaining 4.3 x 40mm screws (E) through the lock keep.



9 TESTING THE DOOR LOCK

Test the door lock for correct operation.

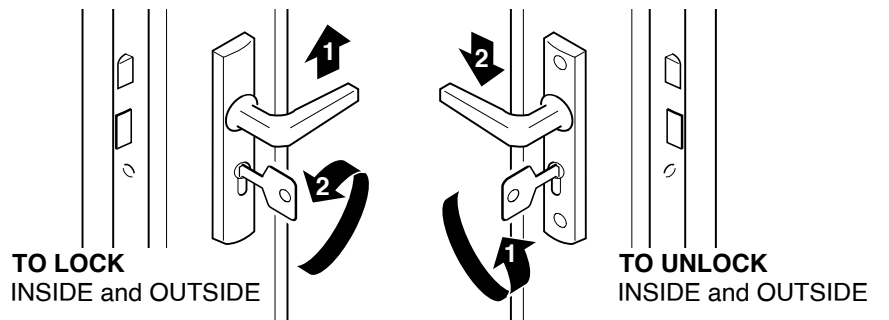
If the key is stiff to turn, do not force it as this could damage the lock or snap the key.

To lock the door, push the handle upwards when the door is closed. This engages the dead bolts. Turn the key towards the outer frame to engage the dead bolt.

To unlock the door from the inside, turn the key away from the outer frame and push the handle downwards to disengage the dead bolts.

Do not operate the door handle and key together as this may put the lock gearing out of sequence and cause the lock to jam.

To ensure trouble free operation of the door, it is advisable



10 TESTING THE DOOR LOCK

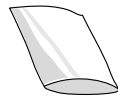
When the door has been correctly adjusted, if a compression hinge is supplied, drill through the holes in the compression hinge with a 3.2mm drill bit, into the door frame.

Secure the bracket with two 4.3 x 25mm screws (F).

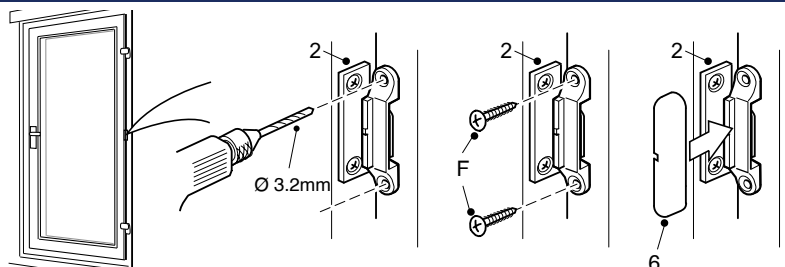
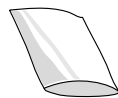
Clip the plastic cover (6) over the bracket.

The blade of the compression hinge will snap free when the door is opened for the first time.

FIXING PACK 3



FIXING PACK 4



CARE AND MAINTENANCE OF YOUR RESIDENTIAL DOOR

Cleaning and Maintenance

When installation has been completed, initial cleaning down should take place. Remove any mastic with white spirit and wash down with a mild detergent mix. The surfaces should be regularly cleaned with soap or mild detergent and water. After cleaning, surfaces should be washed down with clean water and dried. At suitable intervals during the service life of the door, the lock and hinges should be lightly oiled.