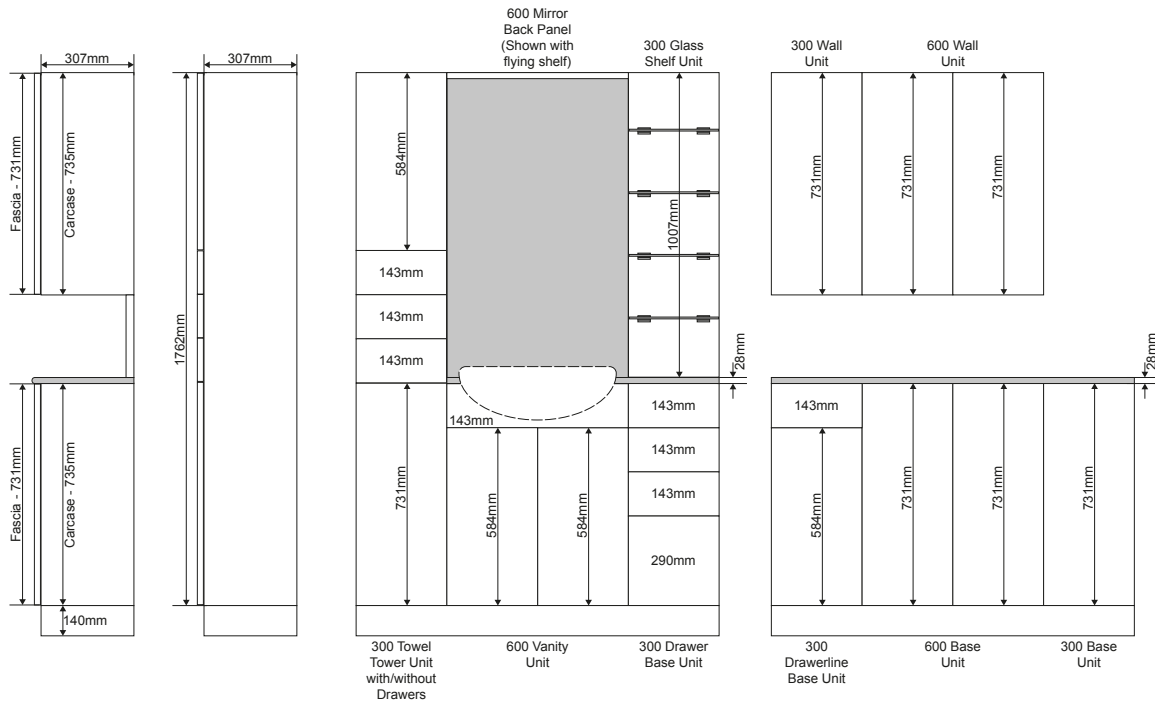


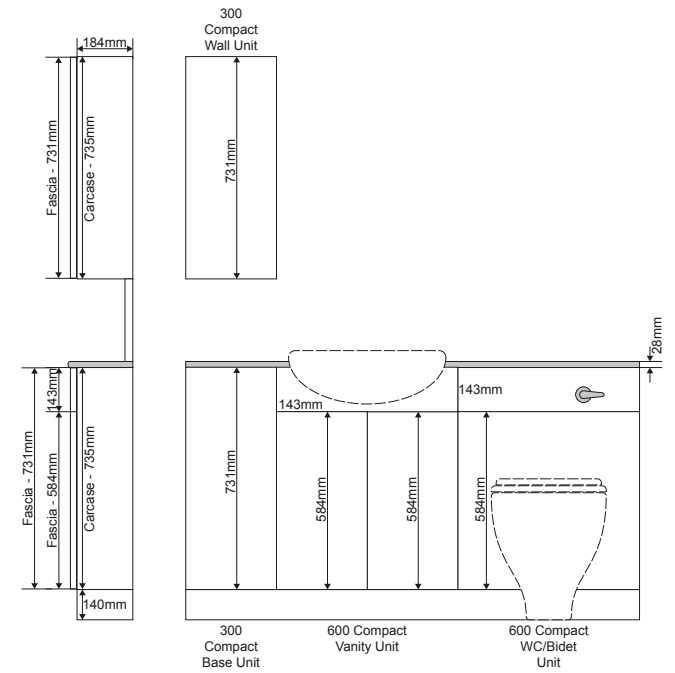
Key Unit Dimensions

Not all units are available in all ranges and styles may vary.

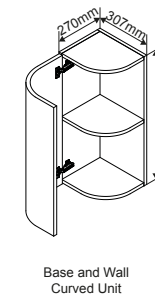
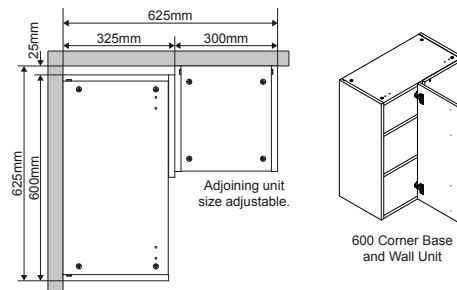
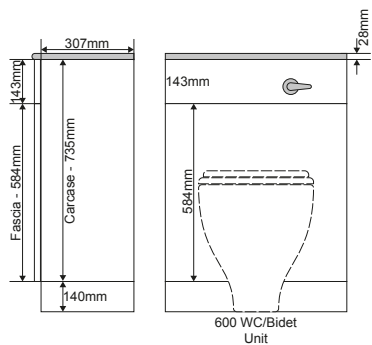
Standard Depth Units



Compact Depth Units



Corner and Feature Units



Note: Drawer and Drawerline Units with a working drawer must not be positioned against the corner unit as the handles will clash. If a drawerline appearance is required, use jointing plates to connect the fascias. Similarly, WC/Bidet and Vanity Units are not suitable as the pottery will prevent the door from opening.