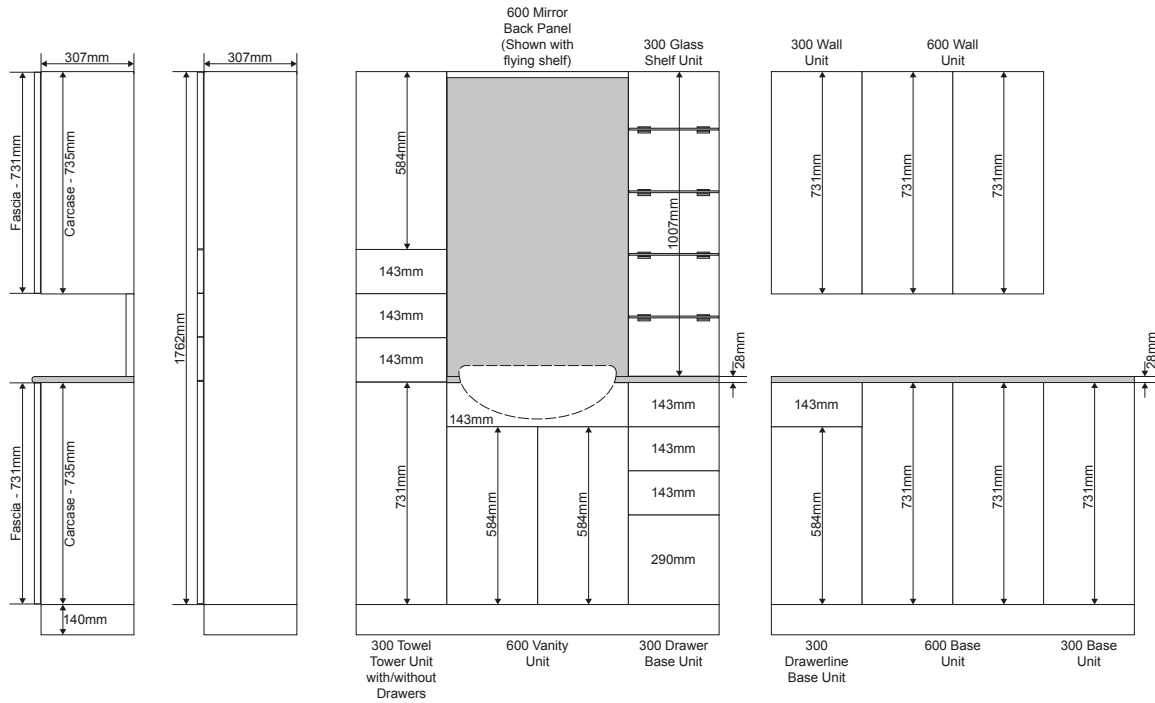


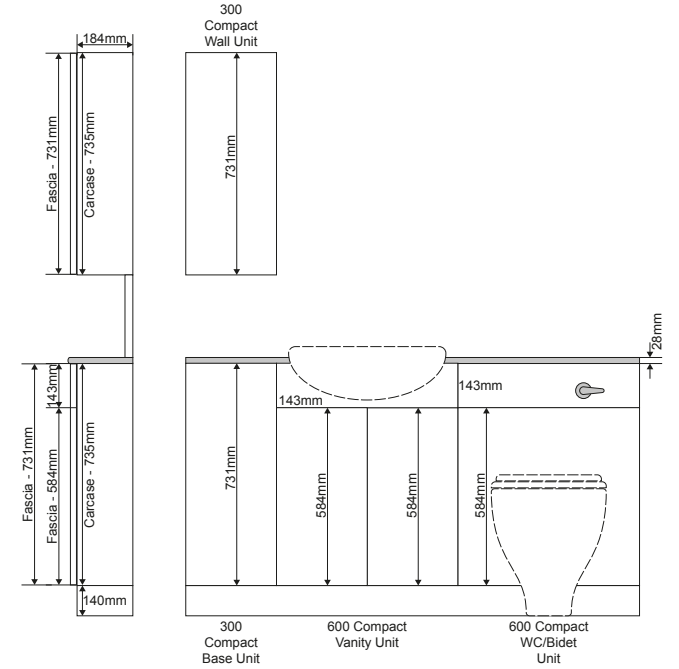
Key Unit Dimensions

Not all units are available in all ranges and styles may vary.

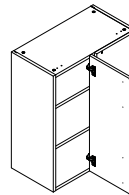
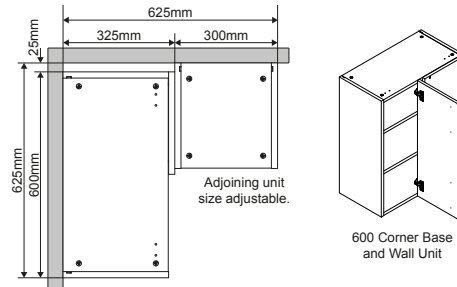
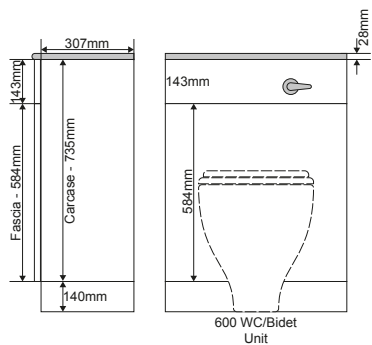
Standard Depth Units



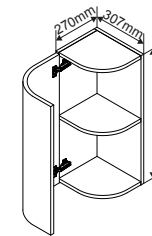
Compact Depth Units



Corner and Feature Units



600 Corner Base and Wall Unit



Base and Wall Curved Unit

Note: Drawer and Drawerline Units with a working drawer must not be positioned against the corner unit as the handles will clash. If a drawerline appearance is required, use jointing plates to connect the fascias. Similarly, WC/Bidet and Vanity Units are not suitable as the pottery will prevent the door from opening.