

WC INSTALLATION

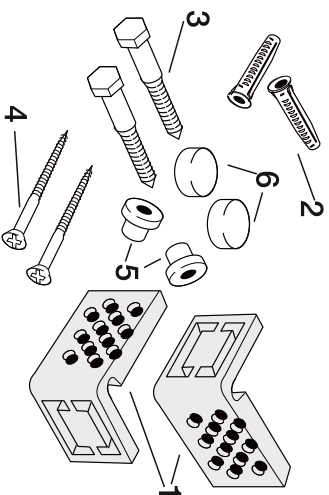
PLEASE READ THESE INSTRUCTIONS PRIOR TO INSTALLATION.

NOTE: The water supply **MUST** be isolated before attempting to install this product.
Always double-check the position and your measurements before drilling holes.

TOOLS REQUIRED	
10mm Spanner	
Flat & Cross Screwdriver	
Drill with a 10mm drill bit	
Hammer	
Measuring Tape	
Spirit Level	
Putty Knife	
Silicone Sealant or White Cement	
Wire & Pipe Detector	

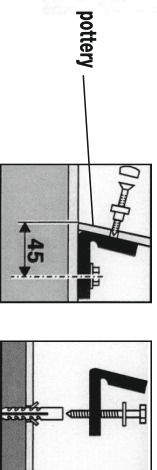
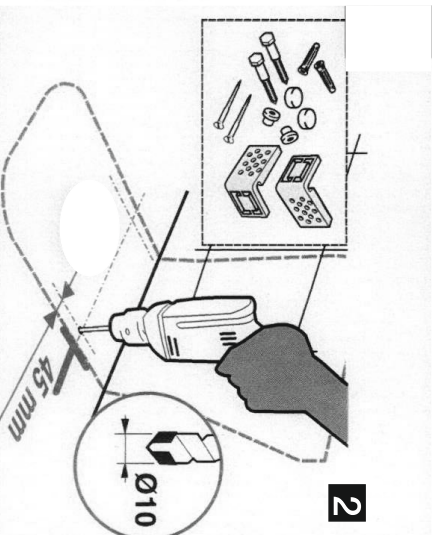
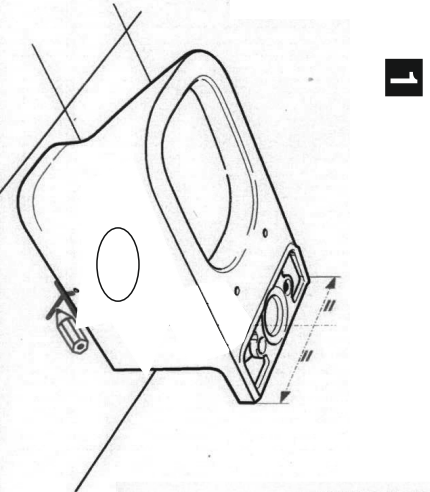
WARNINGS

The use of a residual current device (RCD) or cordless drill is recommended.
Protective eyewear and gloves should be used when drilling.
Check for electric cables and pipes prior to drilling.



Item	DESCRIPTION	Qty
1	Floor Bracket	2
2	Wall Plugs	2
3	Hex Head Screw	2
4	S.Steel Screw	2
5	Nylon Bushes	2
6	Chrome Caps	2

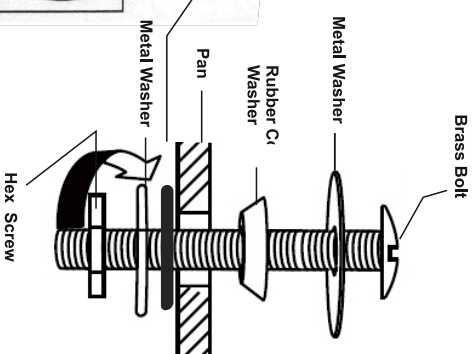
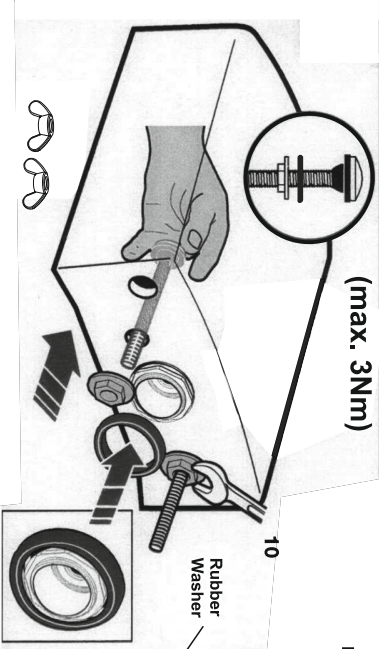
Fixture and Fittings



CISTERN INSTALLATION

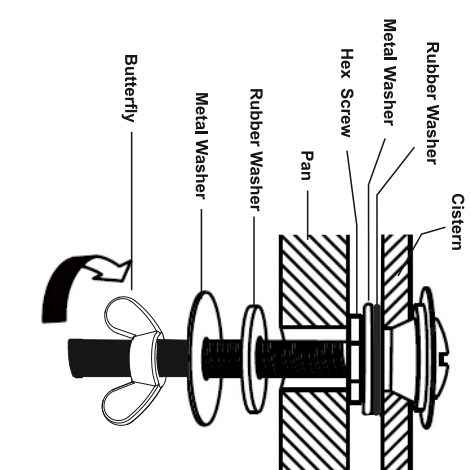
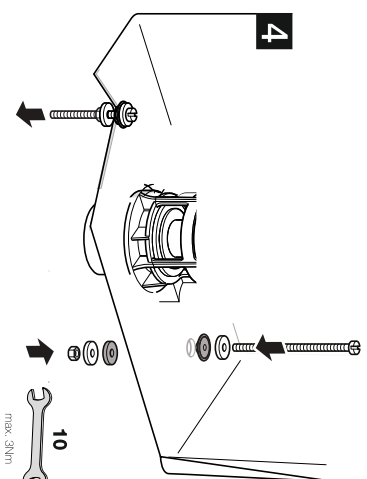
3

After the nut touches the tank surface, do not turn more than 3 full turns (max. 3Nm)



Note: Pull bolt through and make sure bolt head is flush to the bottom of the cistern

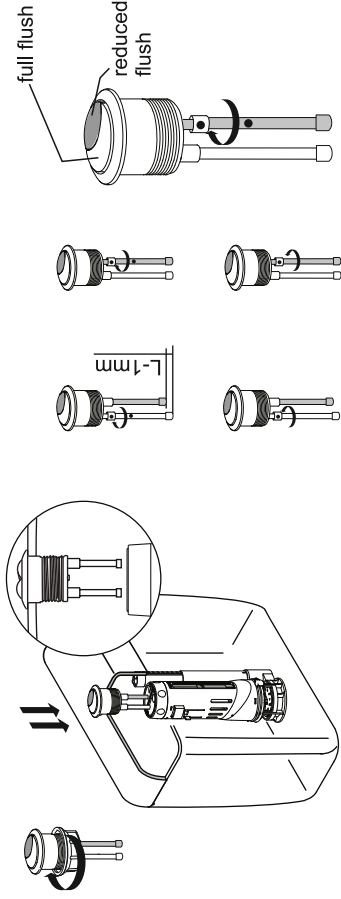
4



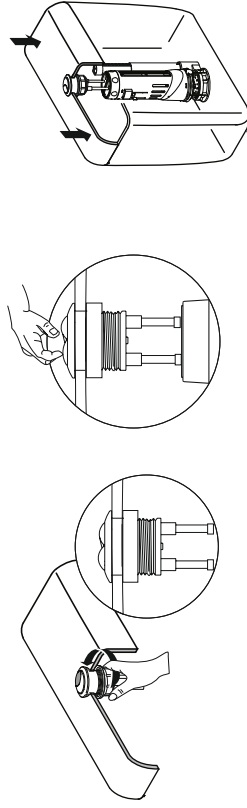
Under our policy of improvement we reserve the right to alter materials or specification in line with our continuing programme of product and service development.
We have taken great care to ensure that this product reaches you in perfect condition. However should any parts be damaged or missing please contact your point of purchase. This does not affect your statutory rights. In addition if you require replacement parts your point of purchase will be happy to assist.

PUSH BUTTON INSTALLATION

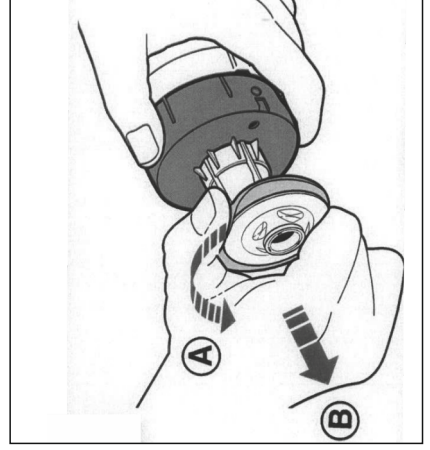
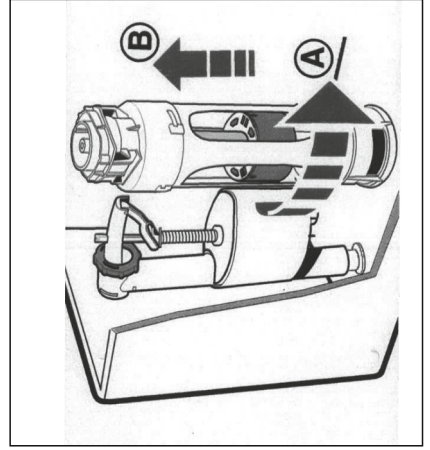
- 1 Please leave a 1mm space between rods and segments on flush valve.



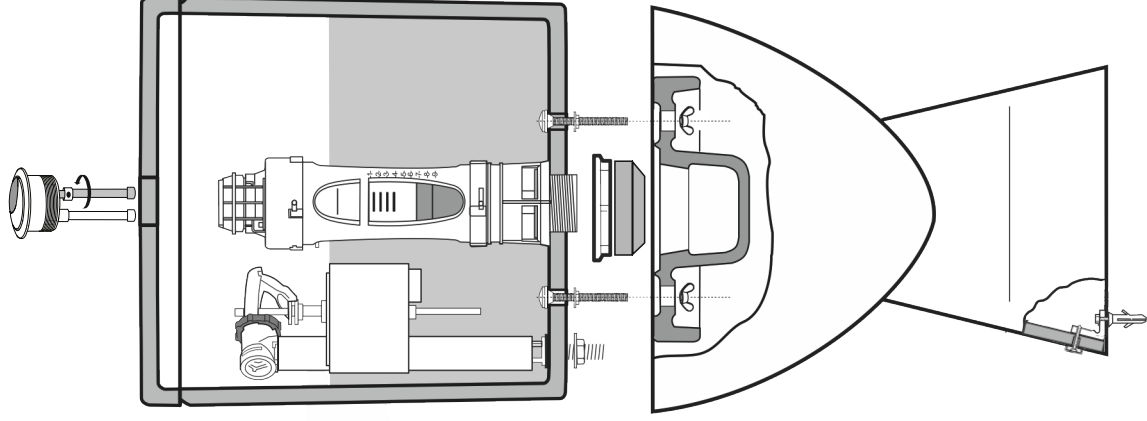
- 2 For reduced flush blue rod should press grey segment on flush valve.
For full flush black rod should press white segment on flush valve.



MAINTENANCE



WC INSTALLATION MANUAL



Please note: Toilet shown is for illustration purposes only.
*This does not affect your statutory rights.
Terms & Conditions Apply.