

Britannia Range Wall Mounted Accessories Fitting Instructions QA103041 - Small Round Magnifying Mirror

Thank you for purchasing this Croydex product. Please follow the fixing and care instructions to ensure your accessory is fitted safely and retains its high quality finish. **Please retain this leaflet for future reference.**

Fixing Pack Contents

Fixing Screws x 2
Wall Plug X 2

NOTE - The wall plugs supplied are for solid walls only; use appropriate fixings for cavity walls

Tools Required

Drill; Pencil; $15/64$ " (6mm) masonry drill bit; $15/64$ " (6mm) ceramic drill bit (optional); Spirit Level; Cross head screwdriver;

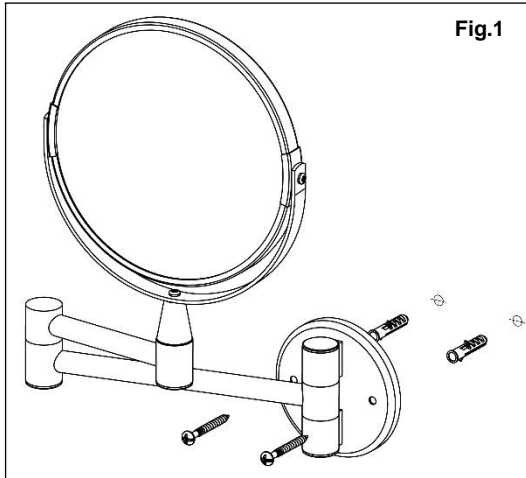
KEEP DIY TOOLS OUT OF THE REACH OF CHILDREN

Safety and Care Advice

1. Always take care when using an electric drill, particularly in the bathroom. Always check for hidden cables and pipework before drilling. Always use a residual current circuit breaker (RCCB/GFCI) when using mains powered tools and take extreme care if there is any water in the working area.
2. Always wear suitable eye protection when drilling.
3. If the product is to be fitted on a ceramic tiled wall, a ceramic drill bit should be used. Do not drill mounting holes in the grouted area between tiles. Mask the area around the hole with tape before drilling to prevent damage to the tile.
4. Do not use the product as a grab bar.

Instructions:

1. Select the location of the product, ensuring there is sufficient room to adjust the mirror and that the mirror arm is horizontal.
2. Mark its screw fixing positions on the wall using the hole centres of the mirror bracket as a template. (See Fig. 1)
3. Drill the holes to a depth of $1\ 3/16$ " (30mm) in the marked positions using a $15/64$ " (6mm) masonry drill. If the product is to be fitted onto a ceramic tiled wall, a ceramic drill bit should be used.
4. Insert the wall plugs flush to the surface of the wall. If fitting to a tiled surface the wall plugs should be inserted below the surface of the tile to avoid cracking.
5. Insert the screws provided through the holes of the mirror wall bracket and screw into position. Ensure the mirror bracket is level. **DO NOT OVERTIGHTEN.**



Additional Information

Do not strike the mirror glass with hard or sharp objects.

Product Care Advice

- To retain the best quality finish, clean product regularly with a soft damp cloth.
- Do not use abrasive or chemical cleaners, as these will damage the product.
- Do not place hot objects onto the surface of the glass.
- Do not position glass components in close contact with a heat source

For details of the other items in the Croydex range please visit our website: www.croydex.com

Croydex, Central Way, Andover, Hants, SP10 5AW, UK
EU: MIL, Unit 8 Purcellsinch Ind Est, Dublin Road, Kilkenny, R95 HP71, Ireland
Tel: +44 (0) 1264 365881. Fax: +44 (0) 1264 356437
Website: www.croydex.com E-mail: info@croydex.co.uk

WMA 050 R04