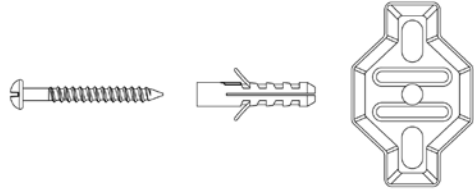


Westminster Wall Mounted Range Fitting Instructions

Thank you for purchasing this Croydex product. Please follow the fixing and care instructions to ensure that your accessory is fitted safely and that it retains its high quality finish.

Fixing Pack Contents

Long Fixing Screws x 2 (4) (Double Mounting)
Wall Plug X 2 (4) (Double Mounting)
Wall Fixing Bracket x 1 (2) (Double Mounting)



Contents supplied will vary depending on the product. The quantities shown above in brackets are for double bracket fixings. Only use the fixings supplied.

NOTE - The wall plugs supplied are for solid walls only, use appropriate fixings for cavity walls

Tools Required

Drill	Pencil
6mm masonry drill bit	Spirit Level
6mm ceramic drill bit (optional)	Small flat head screwdriver
Cross head screwdriver	Tape measure

KEEP DIY TOOLS OUT OF THE REACH OF CHILDREN

Safety and Care Advice

1. Always take care when using a drill, particularly in the bathroom. Always check for hidden cables and pipework before drilling and take extreme care if there is any water in the working area.
2. It is advisable to use a residual current circuit breaker (RCCB). Always wear suitable eye protection when drilling.
3. If the product is to be fitted on a ceramic tiled wall, a ceramic drill bit should be used. Always ensure that the drill hole passes through the central tiled area rather than through the grouted area. To prevent damage to the tile, mask the area around the hole with tape before drilling.
4. It is recommended that two people fit this product to ensure that it is fitted safely.
5. Do not use this product as a grab bar.
6. Do not strike glass surfaces with sharp or hard objects.

Instruction for items with single and double mounting point:

1. Select position of product and mark its centre on wall. **(Refer to Fig. 1 for centre positions of double mounting items.)** Centre the wall fixing bracket over the mark and using it as a template mark the screw fixing positions on the wall surface.
2. Drill the holes to a depth of 40mm in the marked positions using a 6mm masonry drill. If the product is to be fitted onto a ceramic tiled wall, a ceramic drill bit should be used.
3. Insert the wall plugs flush to the surface of the wall. If fitting to a tiled surface, the wall plugs should be inserted below the surface of the tile to avoid cracking.
4. Insert the screws provided through the wall fixing bracket and screw into the wall. Ensuring the wall bracket is level.
5. Using a small flat head screwdriver loosen the grub screw within the backplate. Place the backplate on the wall bracket and tighten the grub screw as shown in figure 2.

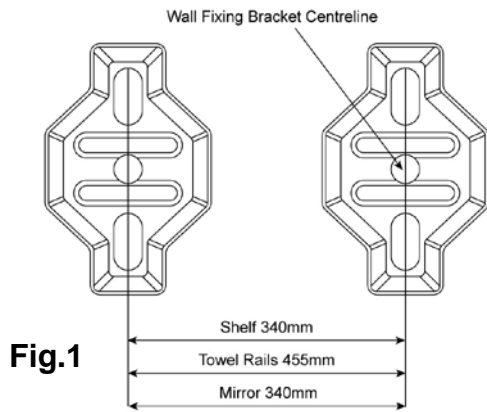


Fig.1

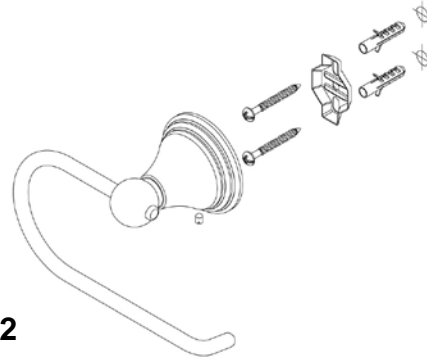


Fig.2

Instruction for Mirror Fixing

6. Select the position for the mirror and fix the wall fixing brackets in place referring to both the dimensions shown in Fig 1 and the instructions for double mounted fixing.
7. It is important to ensure the wall fixing brackets are fitted horizontally on a flat surface. Failure to do this may result in glass breakage.
8. Loosen the plastic grub screws on the reverse of each backplate and carefully slide the mirror glass into the mirror securing slot. Please ensure that the backplates are positioned on the horizontal centreline of the mirror glass as shown in Fig.3.
9. Secure the mirror glass in position by tightening the grub screw.
- DO NOT OVERTIGHTEN.
10. Using a small flat head screwdriver loosen the grub screw within the backplate. Place the backplate on the wall bracket and tighten the grub screw as shown in figure 2.

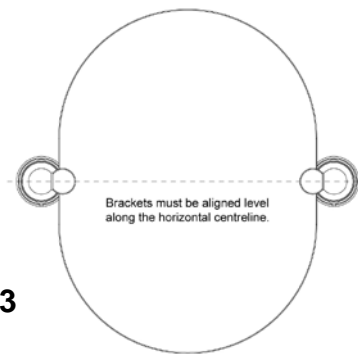


Fig.3

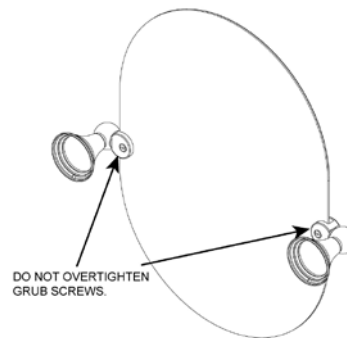


Fig.4

Additional Information

- Maximum safe working load for the shelf is 5kg. This load must be evenly distributed across the surface area of the shelf.

Product Care Advice

- To retain the best quality finish, clean product regularly with a soft damp cloth.
- Do not use abrasive or chemical cleaners, as these will damage the product.
- Do not place hot objects onto the surface of the glass.
- Do not position glass components in close contact with a heat source

Please retain this leaflet for future reference.

Croydex, Central Way, Andover, Hants, SP10 5AW, UK
 Tel: +44 (0) 1264 365881. Fax: +44 (0) 1264 356437
 Website: www.croydex.com. E-mail: info@croydex.co.uk.