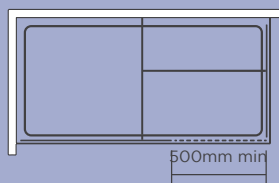


## Showerwalls



### Minimum Opening

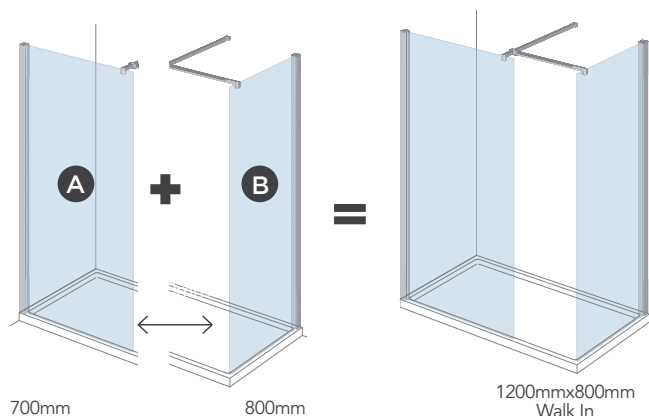
We recommend a minimum opening of 500mm for any wetroom area.



Note: Glass height is 2000mm, the addition of the stabilising bar adds 15mm, increasing the height to 2015mm.

### How it Works

If you wanted to make up a Walk In Wetroom for an area to fit on to a 1200mm x 800mm tray or floor. You pick panel A (700mm) and B panel (800mm), this also includes the recommended 500mm minimum opening for the Walk In.



### Showerwalls - Chrome

| Code   | Size | Adjustment Min - Max |
|--------|------|----------------------|
| 231294 | 700  | 675 - 690            |
| 231292 | 800  | 775 - 790            |
| 231291 | 900  | 875 - 890            |
| 231295 | 1000 | 975 - 990            |
| 231296 | 1200 | 1175 - 1190          |
| 231293 | 1400 | 1375 - 1390          |

### Showerwalls - Swivel Panel

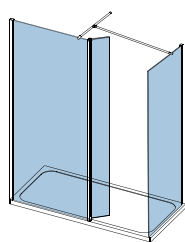
| Code   | Size |
|--------|------|
| 233372 | 300  |

### Showerwalls - Black

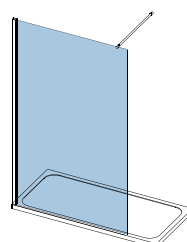
| Code   | Size | Adjustment Min - Max |
|--------|------|----------------------|
| 231328 | 700  | 675 - 690            |
| 231404 | 800  | 775 - 790            |
| 231297 | 900  | 875 - 890            |
| 231298 | 1000 | 975 - 990            |
| 231299 | 1200 | 1175 - 1190          |

### Black Swivel Panel

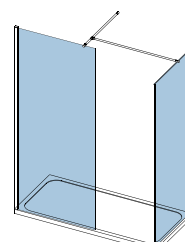
| Code   | Size |
|--------|------|
| 231405 | 300  |



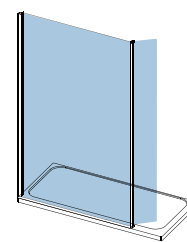
Walk-in with Swivel Panel



Showerwall



Walk-in



Showerwall with Swivel Panel