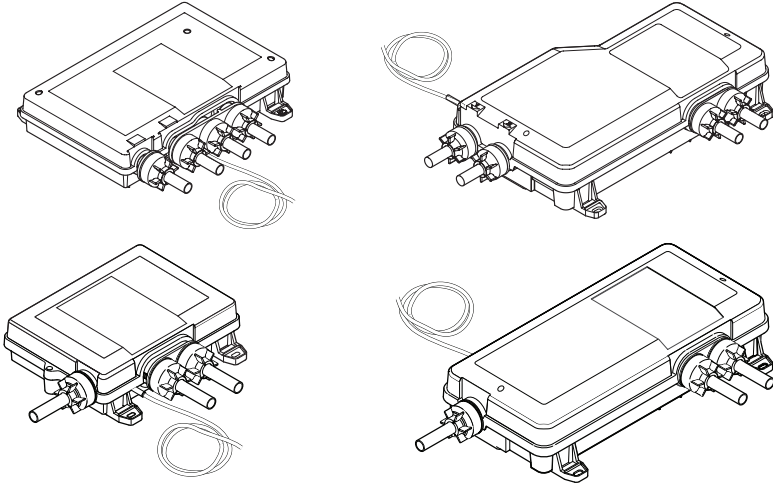


Mira Mode Digital Mixing Valve



Installation Guide

Please leave these instructions with the user

Showering perfection

mira
SHOWERS

If you experience any difficulty with the installation or operation of your new shower, then please refer to the **Fault Diagnosis** section, before contacting **Kohler Mira Ltd.**

Our telephone and fax numbers can be found in the back of this guide.

Important Information

Products manufactured by Kohler Mira Ltd are designed to be safe, provided that they are installed, used and maintained in good working order, in accordance with our instructions and recommendations.

Follow all warnings, cautions and instructions contained in this guide, and on, or inside the product. **Failure to follow the instructions provided with this product will invalidate the guarantee.**

WARNING! TO REDUCE THE RISK OF FIRE, ELECTRIC SHOCK OR INJURY:

1. Installation of this product must be carried out in accordance with these instructions by qualified, competent personnel. Read all instructions before commencing installation.
2. The electrical installation must comply with BS 7671 (commonly referred to as the IEE Wiring Regulations) and all relevant building regulations, or any particular regulation or practice specified by the local electricity supply company.
3. The plumbing installation must comply with all national or local water regulations and all relevant building regulations, or any particular regulation or practice specified by the local water supply company.
4. Isolate the electrical and water supplies before commencing installation. Mains connections are exposed when the valve module cover is removed.
5. The valve module must be earthed, ensure supplementary bonding is provided in accordance with the wiring regulations.
6. The valve module must be permanently connected to a 3A fused connection unit and be provided with means for disconnection incorporated in the fixed wiring in accordance with the wiring regulations.
7. We strongly recommend that a 30mA RCD is included in the electrical supply to the valve module.
8. **DO NOT** install the valve module, user interface or the remote on/off control in areas with high humidity and temperature (i.e. steam rooms and saunas).

9. **DO NOT** install the valve module or fittings where they may be exposed to freezing conditions. Ensure that any pipework that could become frozen is properly insulated.
10. **DO NOT** perform any unspecified modifications, drill or cut holes in the product other than instructed by this guide. When servicing only use genuine Kohler Mira replacement parts.
11. If the valve module is dismantled during installation or servicing then, upon completion, an inspection must be made to ensure all electrical connections are secure and that there are no leaks.
12. **DO NOT** operate the product if water is leaking from inside the valve module. Isolate electrical and water supplies to the product and refer to the fault diagnosis section.
13. **DO NOT** apply power to the product if it is thought to have been exposed to freezing conditions. Isolate electrical and water supplies to the product and contact Kohler Mira Ltd.
14. Make sure that you fully understand how to operate this shower and make sure that it is properly maintained in accordance with the instructions given in this manual.
15. The Mira Mode can be used by children aged from 8 years and above and persons with reduced physical, sensory or mental capabilities or lack of experience and knowledge if they have been given supervision or instruction concerning the use of the appliance in a safe way and understand the hazards involved.
16. **DO NOT** allow children to play with the product.
17. **DO NOT** allow children to clean or perform any user maintenance without supervision.
18. Always check the water temperature is safe before bathing or showering.
19. When installing the Digital Mixer Valve to be used as a bath filler **ensure** the flow rate of the bath overflow fitted exceeds the flow rate output from the Digital Mixer Valve.
20. **DO NOT** remotely operate or alter any of the Mira Mode shower and bathing settings if it is already occupied and / or being used by another person.

Guarantee

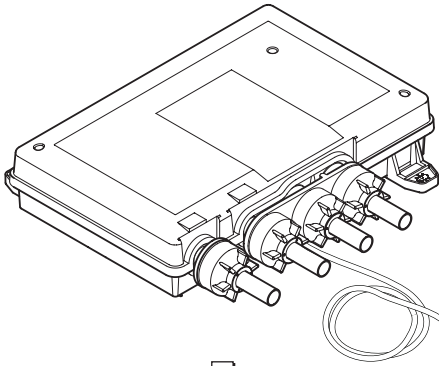
The Mira Mode has been designed for domestic use only, it is not recommended for Commercial or Healthcare use.

For domestic installations, Kohler Mira Limited, guarantee the Mira Mode against any defect in materials or workmanship for a period of five years from the date of purchase (shower fittings for one year).

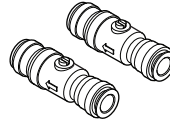
Recommended Usage	
Domestic	✓
Light Commercial	✗
Heavy Commercial	✗
Healthcare	✗

Pack Contents

HP Dual Outlet



Digital Mixing Valve



2 x Push-Fit Isolators



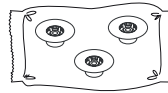
2 x Outlet Connector



3 x Fixing Screws

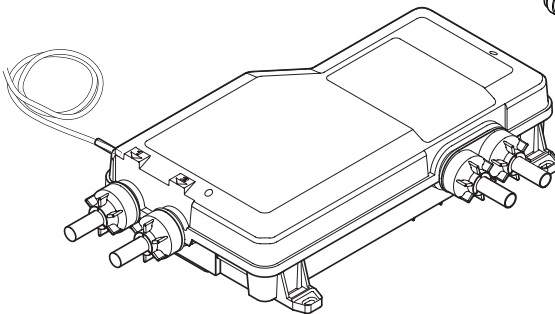


3 x Wall Plugs

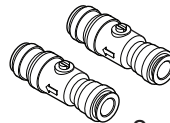


1 x Flow Regulator
Component Pack

LP Dual Outlet



Digital Mixing Valve



2 x Push-Fit Isolators



2 x Outlet Connector

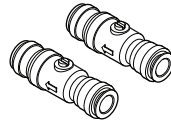
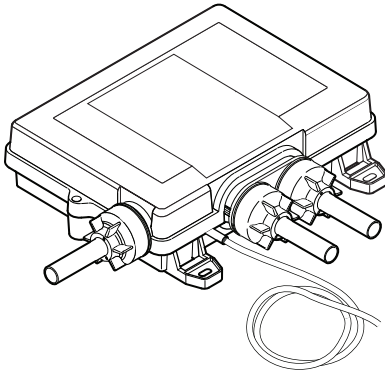


3 x Fixing Screws



3 x Wall Plugs

HP Single



2 x Push-Fit Isolators



2 x Outlet Connector



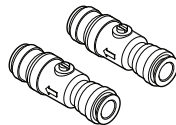
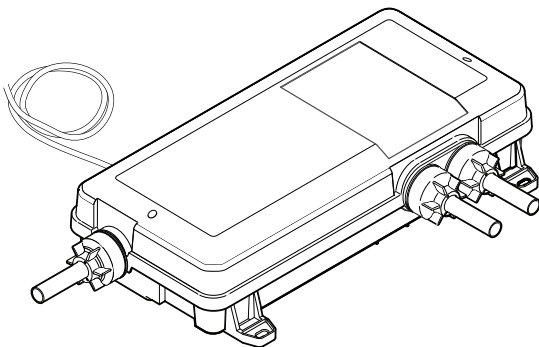
3 x Fixing Screws

Digital Mixing Valve



3 x Wall Plugs

LP Single



2 x Push-Fit Isolators



2 x Outlet Connector



3 x Fixing Screws

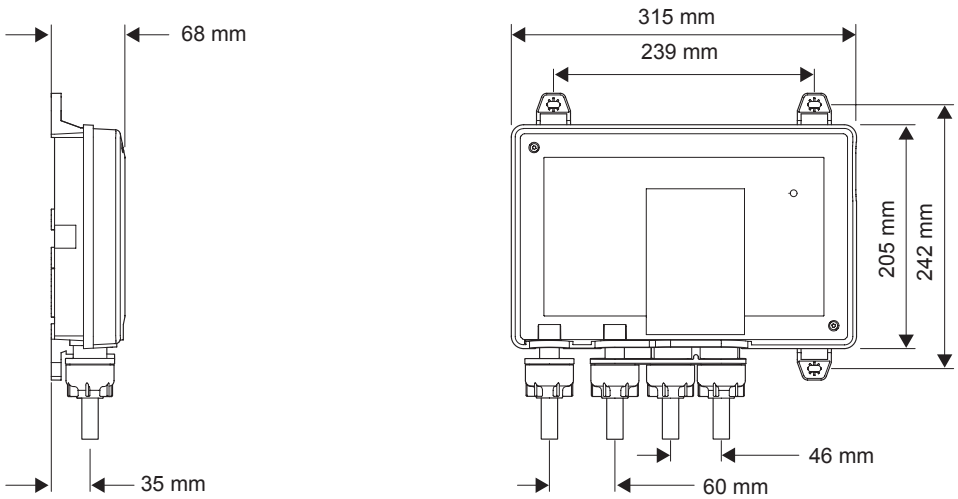
Digital Mixing Valve



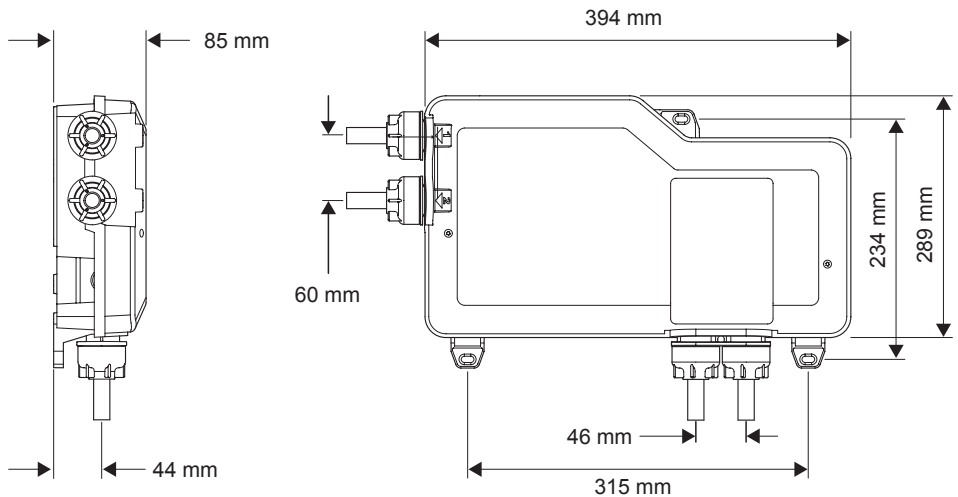
3 x Wall Plugs

Dimensions

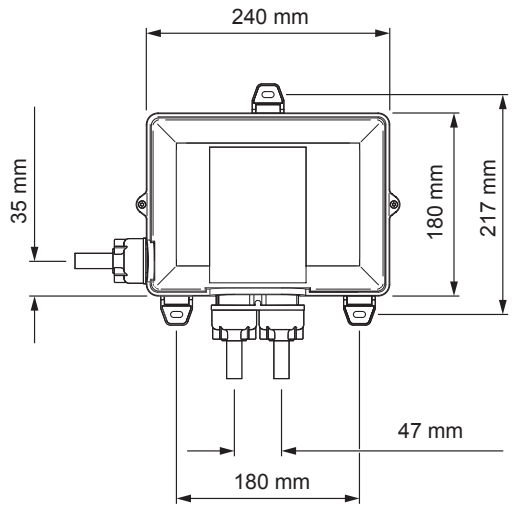
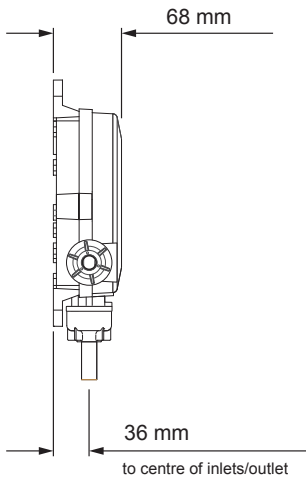
HP Dual Outlet



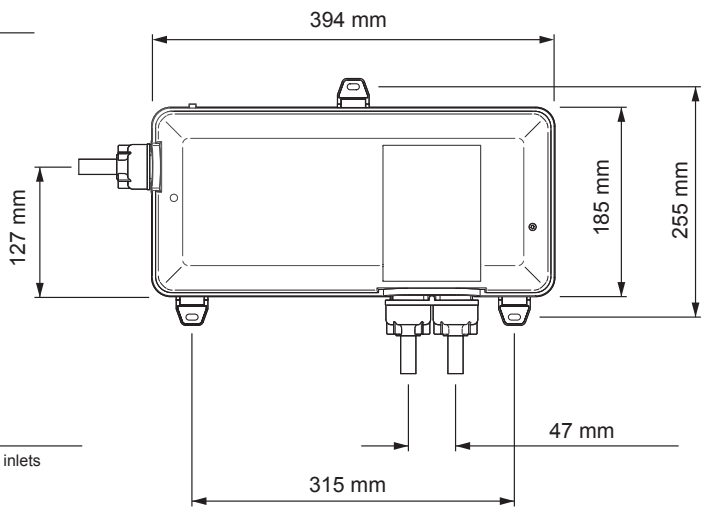
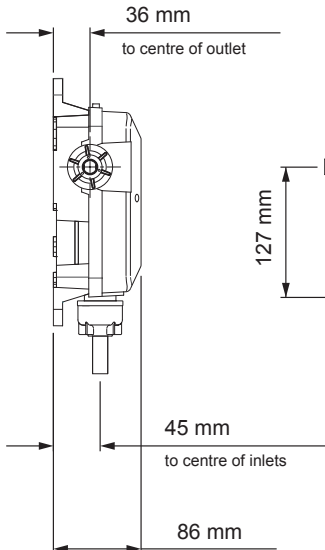
LP Dual Outlet



HP Single



LP Single



Specifications

Standards and Approvals

The Mira Mode complies with all relevant directives for CE marking. The Mira Mode is a type 1 electronic, independently mounted control for surface mounting. The Mira Mode is in compliance with the essential requirements of the R&TTE directive 1999/5/EC. A copy of the declaration of conformity may be obtained by contacting Kohler Mira Limited, U.K customer services department.

General

Pollution Degree	2
Rated Impulse Voltage	2.5 kV
Connections	15 mm Compression/Pushfit

Mira Digital Mixer Valve High Pressure (Not suitable for pumped gravity systems)

Pressures	
Maximum Static Pressure	1000 kPa (10 bar)
Maximum Maintained Pressure	500 kPa (5 bar)
Minimum Maintained Pressure	50 kPa (0.5 bar)
Supply Pressure Differential	Nominally Equal
Temperatures	
Maximum Temperature (setting range)	35 °C - 48 °C (Factory Preset 45 °C)
Minimum Temperature	Thermostatic control down to 30 °C Full Cold also selectable
Hot Water Range - Supply	55 °C - 65 °C
Cold Water Range - Supply	1 °C - 20 °C
Temperature Stability	± 1 °C at recommended supply conditions
Ambient Temperature	1 °C - 40 °C
Maximum Relative Humidity	95% non-condensing
Flow Rates	
Nominal Flow Rates (will vary depending on inlet maintained pressure and spray mode)	Valve capable of up to 16 l/min @ 1 bar
Electrical	
Supply Voltage	230V ac 50 Hz
Maximum Load	20 W

Mira Digital Mixer Valve Pumped (Not suitable for mains pressure systems)

Pressures	
Maximum Static Pressure	100 kPa (1 bar) 10m head
Maximum Maintained Pressure	100 kPa (1 bar) 10m head
Minimum Maintained Pressure	1 kPa (0.01 bar) 0.01m head
Supply Pressure Differential	Nominally Equal
Temperatures	
Maximum Temperature (setting range)	35 °C - 48 °C (Factory Preset 45 °C)
Minimum Temperature	Thermostatic control down to 30 °C Full Cold also selectable
Hot Water Range - Supply	55°C - 65°C
Cold Water Range - Supply	1°C - 20°C
Temperature Stability	± 1°C at recommended supply conditions
Ambient Temperature	1°C - 40°C
Maximum Relative Humidity	95% non-condensing at 30 °C
Flow Rates	
Flow Rates (will vary depending on inlet maintained pressure and spray mode)	Valve capable of up to 16 l/min @ 0.01 bar
Electrical	
Supply Voltage	230V ac 50 Hz
Maximum Load	200 W

General

The installation must be carried out in accordance with these instructions, and must be conducted by designated, qualified and competent personnel.

The Digital Mixer Valve may be installed in a loft space, under the bath or in a convenient cupboard space, provided there is enough room for maintenance (e.g. Removal of Digital Mixer Valve lid). Failure to do so may result in an inability to carry out any maintenance. Safe and easy access to the product should be available at all times.

When planning your installation, make sure that the digital interface is installed within the cable length range supplied (Cable length 9.5 metres).

When installing a mixer valve in an area not regularly accessed, consideration for potential leaks must be taken into account. While such events are unlikely, it is advisable to periodically check the installation for traces of water on or around the product.

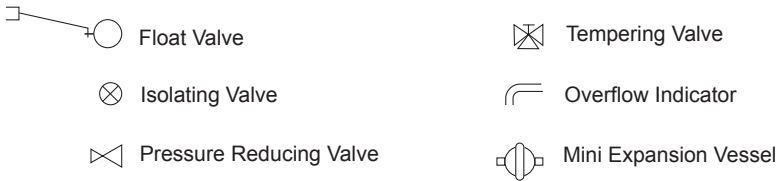
If possible, site the valve in a location where any leak would be contained or routed to avoid areas sensitive to water damage.

Full bore isolating valves **must** be installed to both inlets (supplied) and it is recommended to fit isolators on the outlet, close to the Digital Mixer Valve for ease of maintenance.

Caution! Risk of product damage. The Digital Mixer Valve must be installed in a dry, ventilated area where it will not freeze.

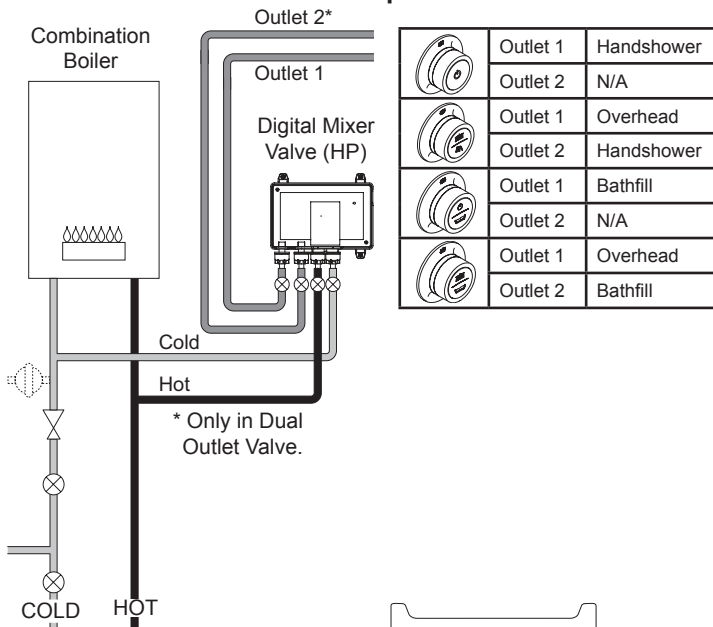
Typical Suitable Installations

Key to Symbols



1. Instantaneous Multipoint Water Heaters and Combination Boilers

Caution! Risk of product damage. Do not fit the Mira Digital Mixer - PUMPED VALVE with Instantaneous Multipoint Water Heaters or Combination Boilers.



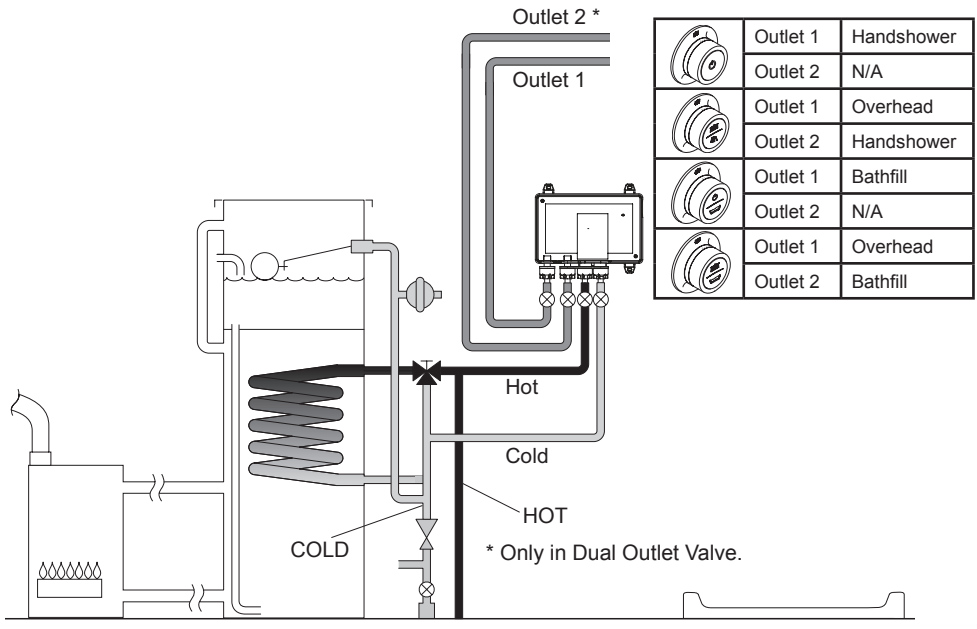
Only install the High Pressure Digital Mixer Valve with a multipoint gas water heater or combination boiler of a **fully modulating design** (i.e. where the water draw-off rate indirectly controls the gas flow rate to the burner).

An expansion vessel **must** be fitted (and regularly maintained) if any form of backflow prevention device is fitted, e.g. Non-return valve or PRV. This will ensure that excess expansion or pulse pressures do not damage the product or plumbing system.

The expansion vessel may already be fitted within the boiler (check with the manufacturer) and is in addition to the normally larger central heating expansion vessel.

2. Mains Pressurised Instantaneous Hot Water Shower, Heated from a Thermal Store

Caution! Risk of product damage. Do not fit the Mira Digital Mixer - PUMPED VALVE with Mains Pressurised Systems.



Packages of this type, fitted with a tempering valve can be used. A drop type pressure reducing valve **must** be fitted (and regularly maintained) if any form of backflow prevention device is fitted, e.g. non-return valve, PRV, then an expansion vessel should also be fitted. This will ensure that excess expansion or pulse pressures do not damage the product or the plumbing system. The expansion vessel may already be fitted externally or internally within the thermal store (check with thermal store manufacturer).

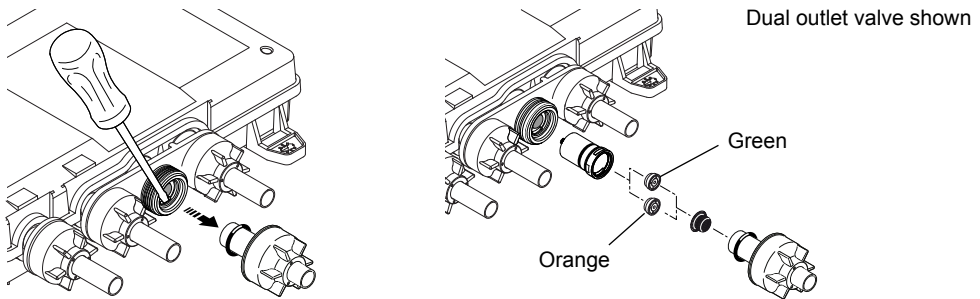
Use of Flow Regulators with Combination Boilers

The Mira Digital Mixer Valve can demand hot water quicker than some instantaneous water heaters/combination boilers can provide, especially in winter when the mains water is colder. A Hot inlet flow regulator may need to be used to ensure that the Digital Mixer Valve can deliver a full range of water temperatures.

Note! The Mira **Single** outlet digital mixing valves are factory fitted with an 8 l/min hot inlet flow regulator. If installing a single outlet digital mixer with a combi boiler rated 36kW or greater or to mains pressurised systems the hot inlet flow regulator should be removed.

Note! The Mira **Dual** outlet digital mixing valves do not have a factory fitted hot inlet flow regulator. These are supplied in the component pack. The table indicates which flow regulator should be fitted in the hot water inlet of the Mira Digital Mixer Valve if installing to a combination boiler system.

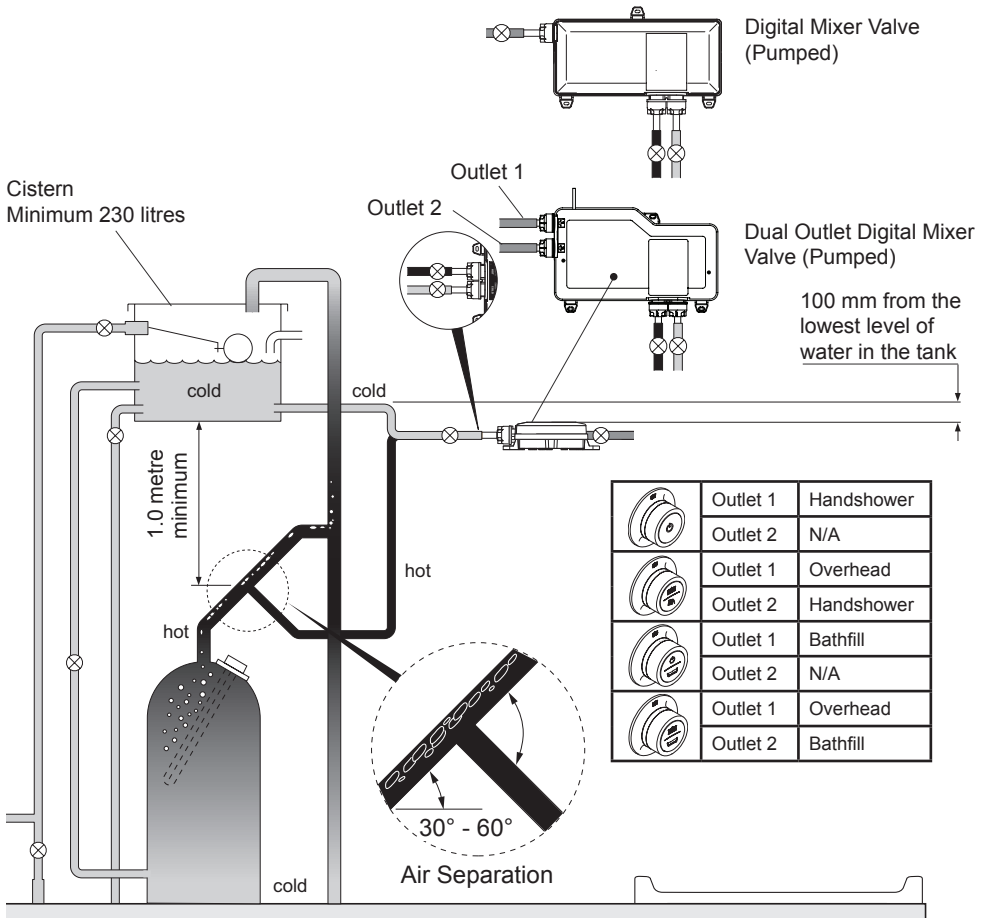
Boiler Rating	24 kW (80,000 Btu/h)	30 kW (100,000 Btu/h)	36 kW (120,000 Btu/h)
Flow Regulator	7 litres/min	9 litres/min	Not required
Colour	White/Green	White/Orange	-



1. Unscrew hot inlet plastic nuts and remove pipe and seal to gain access to the checkvalve cartridge and filter.
2. Use flat blade screwdriver to carefully lever cartridge out.
3. Fit/remove the flow regulator from checkvalve cartridge behind filter as required.
4. Refit seal, pipe and plastic nut. Plastic nuts require hand tightening only.

3. Gravity Fed Showers

Caution! Risk of product damage. Do not fit the Mira Digital Mixer - HIGH PRESSURE/COMBI VALVE with Gravity Fed Systems.



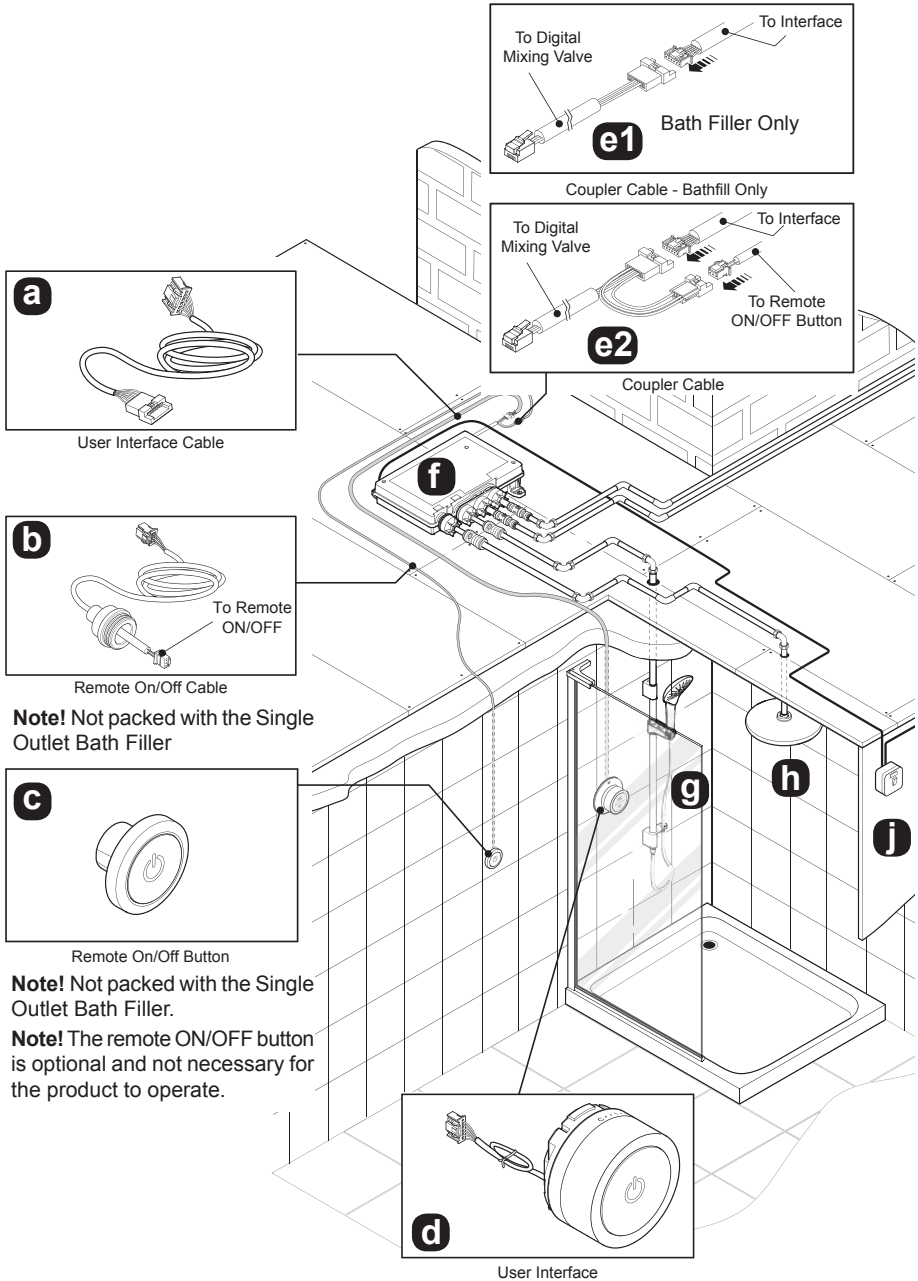
The shower control **must** be fed from a **cold water storage cistern** and a **hot water cylinder** providing nominally equal pressures. Pipework layouts and connections **must** be such that other draw-offs will not effect water supplies to the shower, shared supplies may lead to airlocking or water starvation. It is therefore best practice to have independent hot and cold supplies to the Low Pressure (pumped) Digital Mixer Valve.

Typical Examples of Poor Plumbing and Practices

DO NOT:

- Install the Digital Mixer Valve where it can become frozen
- Install the Digital Mixer Valve where it can be subjected to ambient temperatures in excess of 40°C
- Position the Digital Mixer Valve where maintenance access is poor or unsafe
- Install into a system where the cold water cistern holds less than 230 litres
- Install into a system where air locking could occur
- Install the Digital Mixer Valve onto shared water supplies
- Install the Digital Mixer Valve less than 100 mm from the lowest level of water in the cistern (low pressure version only)
- Fit plastic pipework unless rigidly supported
- Install a High Pressure/Combi Valve to a Pumped Gravity System

Installation Schematic



	Description
a	Electrical Interface Cable from the Interface to the Valve - 9.5 metres
b	Remote ON/OFF Cable from the Remote ON/OFF Button to the Valve - 9.5 metres
c	Remote ON/OFF Button - placed outside of the enclosure
d	User Interface - four versions available - Refer to the Interface Guide
e1 e2	Coupler Cable - for connection between the valve and the remote lead and/ or the interface lead
f	Digital Mixing Valve
g	Mira Mode Ceiling Fed shower fittings - Rear Fed options are available
h	Overhead Shower Fitting
j	3 AMP Switched Fused Spur - Outside of the bathroom - enables you to isolate the shower. Should be easily accessible for resetting product.

Install the Valve

The installation must be carried out in accordance with these instructions, and must be conducted by designated, qualified and competent personnel.

A separate, permanently connected supply **must** be taken from the ring main to the appliance through a **3 AMP** double pole switched fused spur providing a minimum 3 mm contact separation gap in each pole.

The use of supply-line or zone strainers will reduce the need to remove debris at the digital mixer valve. The recommended maximum mesh aperture dimension for such strainers is 0.5 mm.

Pipework **must** be rigidly supported to avoid any strain on the connections.

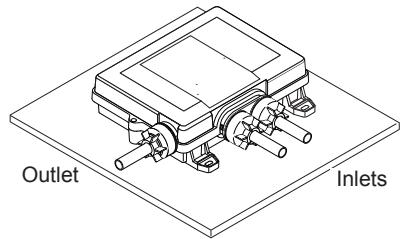
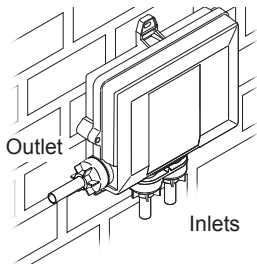
Long outlet pipework (dead-legs) should be kept to a minimum to avoid temperature fluctuations.

Supply pipework layout must be arranged to minimize the effect of other outlet usage upon the dynamic pressures at the Digital Mixer Valve inlets.

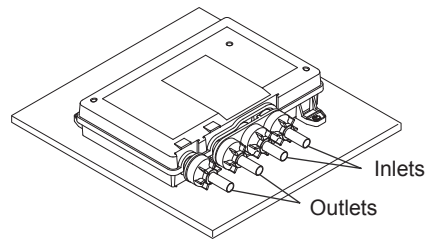
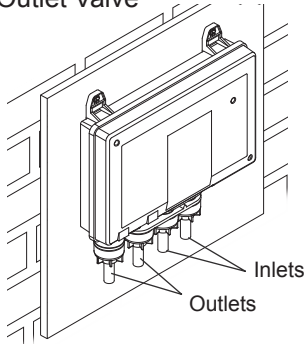
To eliminate pipe debris it is essential that supply pipes are thoroughly flushed through before connection to the Digital Mixer Valve.

Valve Installation Orientation

Single Outlet Valve



Dual Outlet Valve



Mounting on a Vertical Surface

Mounting on a Horizontal Surface

The Digital Mixer Valve (which contains the thermostatic mixing valve) may **only** be orientated in the positions shown above. Failure to do so will compromise the ability of the unit to fail-safe and deliver constant blend.

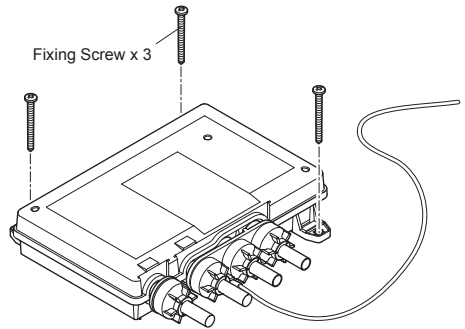
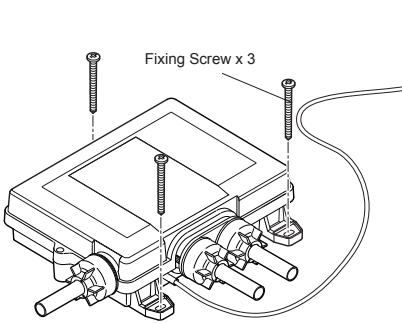
If the power supply cable is damaged, it **must** be replaced by the manufacturer or a service engineer.

Warning! Turn off the electrical and water supplies before proceeding with the installation of the appliance. The electricity must be turned off at the mains and the appropriate circuit fuse electrically isolated, if applicable.
Caution! Risk of product damage. Do not run Pumped Valve (low pressure version) without a water supply.

Long inlet pipework (dead-legs) should be kept to a minimum to avoid temperature fluctuations.

Supply pipework layout must be arranged to minimize the effect of other outlet usage upon the dynamic pressures at the Digital Mixer Valve inlets.

1. Isolate the electrical supply to Digital Mixer Valve.
2. Mark the fixing holes in the required positions. Drill and plug the fixing holes.



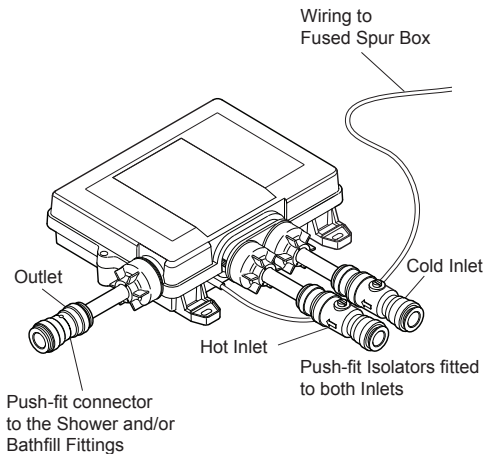
Note! Installers may wish to use alternative cavity fixings, when installing onto a dry lined, stud partition, shower cubicle or laminated panel wall structures. However, these methods of fixing are beyond the scope of this guide.

3. Secure the Digital Mixer Valve in position with the fixing screws (supplied).

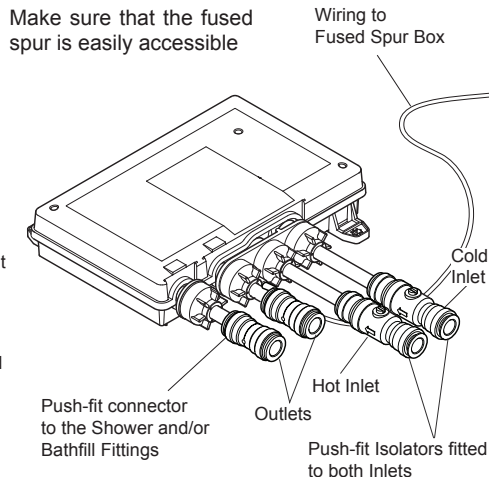
Caution! Risk of product damage. Make sure both hot and cold supply pipes are flushed thoroughly prior to connection to the Digital Mixer Valve. Any product malfunction caused by pipework debris is not covered under the guarantee.

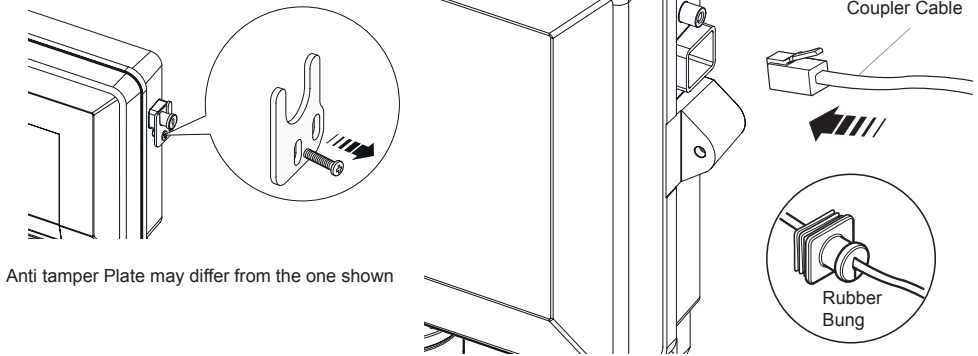
4. Connect the hot and cold water supply pipes to the Digital Mixer Valve.

Single Outlet Valve

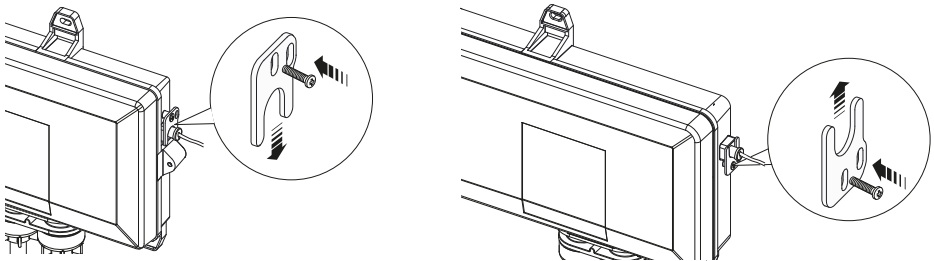


Dual Outlet Valve





5. Remove the anti tamper plate and the rubber bung from the digital mixing valve.
6. Connect the coupler cable to the valve. Make sure that it is connected correctly.
7. Fit the rubber bung over the cable and fit into the socket to seal the connection.



Note! The fitting of the anti-tamper plate may differ from the one illustrated. Make sure that you install it in the correct orientation to suit your product.

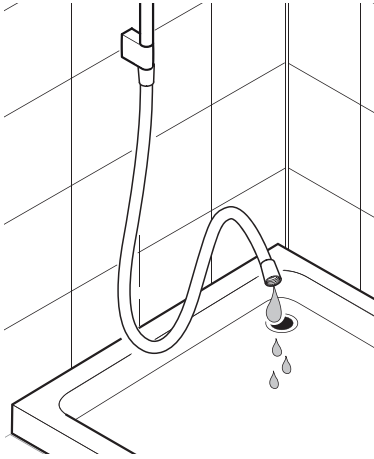
8. Re-install the anti-tamper plate and lock in position with the screw.
9. Install the interface. Refer to the manual packed with the product.

Note! Cables routed through wall cavities, chased into solid walls, directed under baths or in attic spaces **must** be fitted in such a way so that they can later be removed. To facilitate this appropriate cable conduit / trunking **must** be used at all times. Failure to do so may result in an inability to carry out any maintenance or service. Safe and easy access to the product should be available at all times.

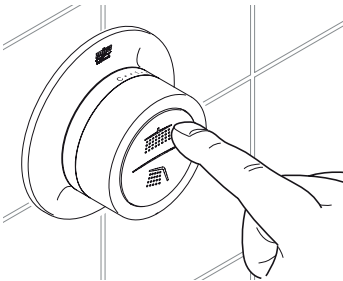
10. Install the shower and/or bathfill fittings. Refer to the manual packed with the product.

Commissioning

1. Turn on electrical supply to Digital Mixer Valve.



2. Make sure the end of the hose is in either the bath, shower tray or other water catchment area.



3. Press the button to turn the shower on and reduce temperature to full cold.
For Low Pressure (pumped) version, let shower run in order to prime the pump.
For long pipe runs, allow 3 - 4 minutes for priming.

Caution! Risk of product damage. Do not run Pumped Valve (low pressure version) without a water supply for longer than 5 minutes during priming.

4. Run cold water through (approximately 2 minutes) and check entire installation for water leaks. Press the interface button to turn the shower off. Fit the second hose washer and showerhead.
5. Press the interface button to turn shower on. Test operation of shower by increasing/decreasing the temperature (refer to Interface User Guide for full details).
6. Refer to Interface User Guide for further instructions on how to use the shower.

Note! The same procedure also applies to the Bathfill Fittings.

Fault Diagnosis

Read the section “**Important Safety Information**” first.

If any maintenance is required then it **must** be carried out by a competent tradesperson. Before replacing any parts make sure that the underlying cause of the malfunction has been resolved.

Warning! There are no user serviceable components beneath the cover of the appliance. Only a competent tradesperson should remove the cover.

Symptoms	Probable Cause	Possible Remedy
Loss of control via the User Interface or Remote On/Off button. Shower turning On/Off or altering blend temperature unexpectedly	Another user is controlling the shower remotely with the mobile phone APP.	Not product fault. ensure no one else uses the mobile phone APP whilst you are showering

Symptoms	Probable Cause	Possible Remedy
No water flow / will not turn on	HP/Combi valve fitted to a Pumped Gravity water system	HP/Combi valves are not suitable for Pumped Gravity water systems. Refer to ‘ Typical Installations ’
	No power to digital mixer	Check electrical connection and power supply
	Inlet water supply isolators not fully turned on	Check and remedy
	Inlet water supply failure	Check and remedy
	Inlet filters or check valves blocked	Check and remedy, refer to ‘ Maintenance ’
	Outlet hose or handset blocked	Check and remedy
	Digital Mixer valve air locking	Check for correct installation practices, repeat commissioning procedure and rearrange pipework to avoid airlock forming, refer to ‘ Typical Suitable Installations ’
	Digital Mixer valve box failure	Contact Kohler Mira Ltd
Low Flow	Inlet water supply isolators not fully turned on	Check and remedy
	Inlet filters or check valves blocked	Check and remedy, refer to ‘ Maintenance ’
	Outlet hose or handset blocked	Check and remedy
	Inlet water pressures too low	Check maintained water pressure is within recommended range, refer to ‘ Specifications ’
	Digital Mixer valve air locking	Check for correct installation practices, repeat commissioning procedure and rearrange pipework to avoid airlock forming, refer to ‘ Typical Suitable Installations ’
	Digital Mixer valve box installed above cold water storage cistern (Pumped valve only)	No product fault. Appliance not suitable for negative head installation, refer to ‘ Installation ’
	Digital Mixer valve box failure	Contact Kohler Mira Ltd

Symptoms	Probable Cause	Possible Remedy
Flow stops during showering or bath fill	'Shower or bath run time' setting is enabled. Shower run time reduces the shower run time to a user defined time	No product fault, refer to ' using the shower ' in the user interface manual or check the 'shower duration' or 'bathfill preset' within the APP
	Outlet hose or handset blocked	Check for correct installation practices, repeat commissioning procedure and rearrange pipework to avoid airlock forming, refer to ' Typical Suitable Installations '
	Digital Mixer valve box failure	Contact Kohler Mira Ltd
	Combination boiler cutting in and out (HP/Combi valve only) causing blend temperature fluctuations	Refer to ' Use of Flow Regulators ' for correct operation
	Cold inlet water supply pressure too low or fluctuating	Ensure the water supply pressures are stable and nominally equal, refer to ' Specifications '
	Cold inlet water supply failure	Check and remedy
	Inlet filters or check valves blocked	Check and remedy, refer to ' Maintenance '
	Digital Mixing valve air locking	Check for correct installation practices, repeat commissioning procedure and rearrange pipework to avoid airlock forming, refer to ' Typical Suitable Installations '
	Reversed inlet supplies	Check and remedy. This can be reversed easily via the APP - 'Settings' screen - 'Outlet Setup' screen
Showering temperature too cool	Inlet filters or check valves blocked	Check and remedy, refer to ' Maintenance '
	Outlet hose or handset blocked	Check and remedy
	Reversed inlet supplies	Check and remedy
	Hot inlet water supply temperature is too cool	Increase hot inlet water temperature to between 55°C and 65°C, refer to ' Specifications '
	Insufficient quantity of stored hot water	Hot water supply running out, increase storage capacity to minimum 120 litres, refer to ' Specifications '
	Inlet water supply pressures are unstable or imbalanced	Ensure the water supply pressures are stable and nominally equal, refer to ' Specifications '
	Combination boiler cutting in and out (HP/Combi valve only)	Refer to ' Use of Flow Regulators ' for correct operation
	Outlet pipe run is too long	Ensure outlet pipe work is thermally lagged.
	Digital Mixer valve box failure	Contact Kohler Mira Ltd

Symptoms	Probable Cause	Possible Remedy
Internal Leaking	Pumped Gravity LP valve fitted to a HP/Combi water system	Pumped Gravity LP valves are not suitable for connection to HP/Combi water systems, refer to "typical suitable installation"
	Digital Mixer valve box failure	Contact Kohler Mira Ltd
No shut off / Continuous flow / Shower Fitting Drain Down	Natural drain down of shower fittings	No Product Fault. It is natural for all shower outlets to continue to expel water for a short period of time after use. It is not uncommon for larger deluge shower heads, particularly those connected to long outlet pipe runs and therefore holding large volumes of water, to drain down water several hours after use due to the changes in the ambient temperature. We would therefore recommend that all water outlets are kept enclosed within the water catchment area.
	Digital Mixer valve box failure	Contact Kohler Mira Ltd
Noise	Digital Mixing valve air locking	Check for correct installation practices, repeat commissioning procedure and rearrange pipework to avoid airlock forming, refer to ' Typical Suitable Installations '
	Water Hammer	Ensure all pipework is securely fixed, refer to ' Installation '
	Amplified acoustic noise from the pump due to structure of wall or flooring mounting	The type of wall or flooring the appliance is fixed to will affect the perceived noise level; solid walls will provide a quieter operation.
	Digital Mixer valve box failure	Contact Kohler Mira Ltd

Maintenance

General

Read the section “Important Safety Information” first.

Before replacing any parts ensure that the underlying cause of the malfunction has been identified.

If the digital mixing valve is dismantled during installation or servicing then upon completion the product must be inspected to ensure there are no leaks.

Warning! There are no user serviceable components beneath the cover of the appliance. Only a competent tradesperson should remove the cover.

Cleaning

Many household cleaners contain abrasives and chemical substances, and should not be used for cleaning plated or plastic fittings. These finishes should be cleaned with a mild washing up detergent or soap solution, and then wiped dry using a soft cloth.

Checkvalve Cartridges and Filters - Removal and Installation

Hot water entering the cold supply, or vice versa, indicates that immediate attention is necessary. This is carried out by removing and cleaning, or renewing as necessary, the checkvalve cartridges.

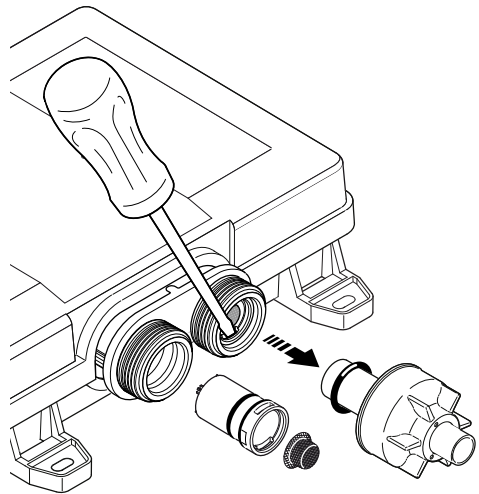
Note! Ensure for HP Mixer Valve that flow regulator is refitted in hot supply, if previously fitted.

Isolate the electrical and water supplies to the Digital Mixer Valve, and open an outlet fitting to release pressure and to assist the draining of residual water.

Unscrew plastic nuts and either withdraw pipework or remove Digital Mixer to gain access to the checkvalve cartridges and filters.

Use flat blade screwdriver to carefully lever cartridges out.

Remove filters and clean or renew.

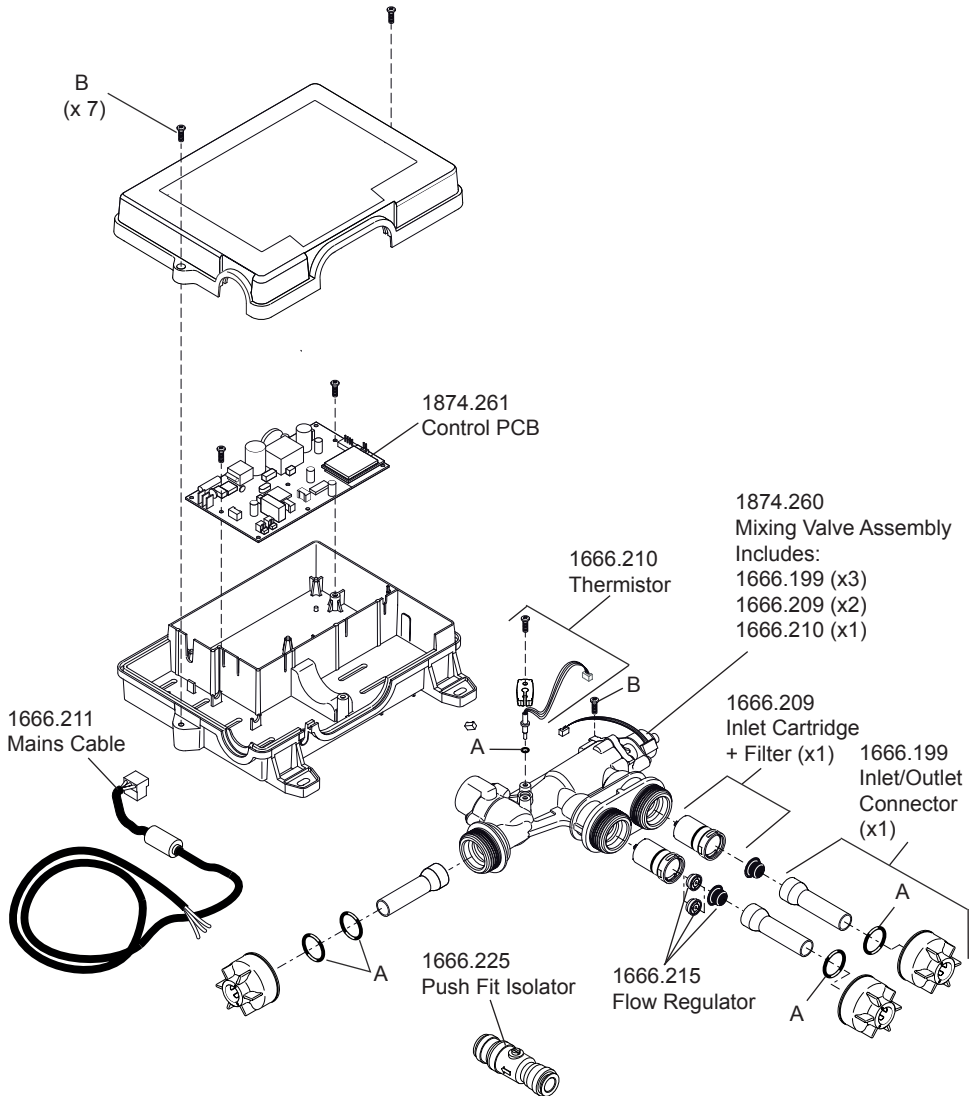


Refit seals, pipes and plastic nuts. Plastic nuts require hand tightening only.

Restore water supply and electrical supply. Test shower and check for leaks.

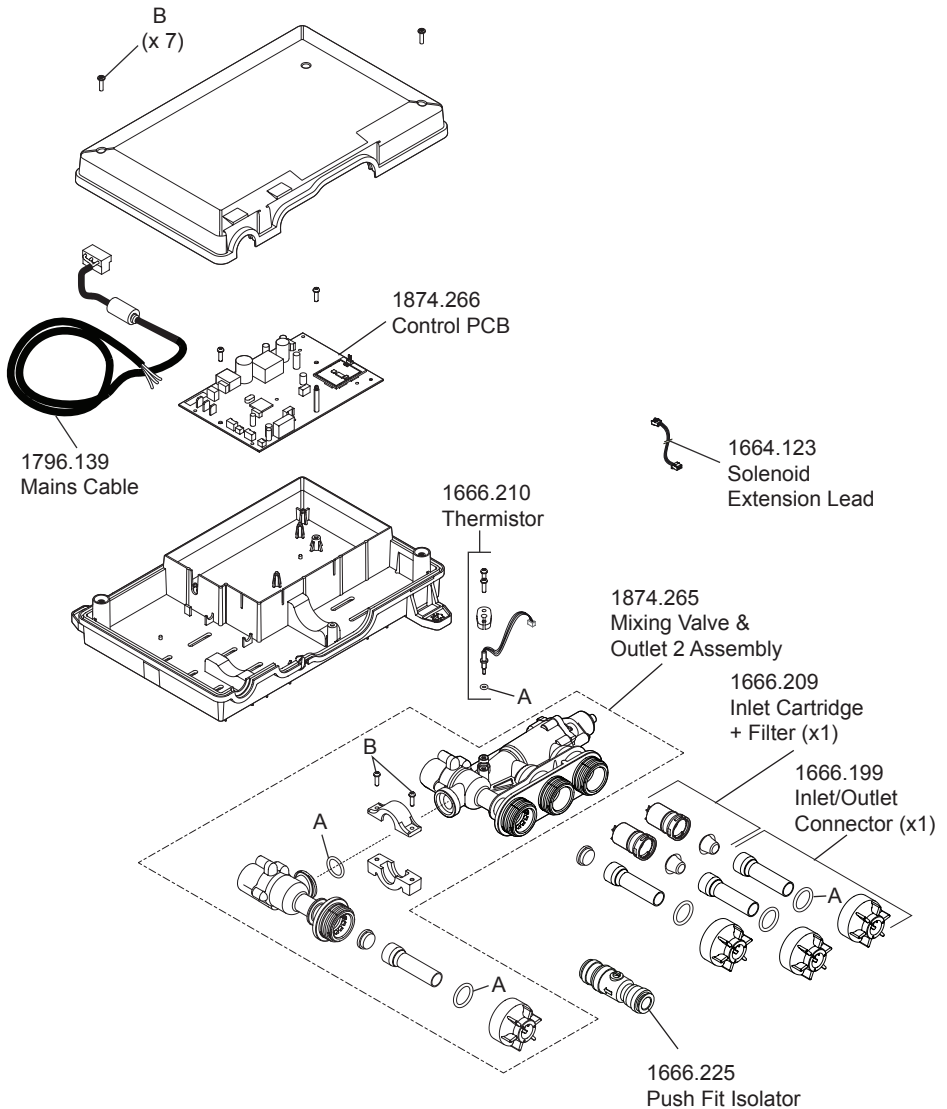
Spare Parts

Mira Mode High Pressure



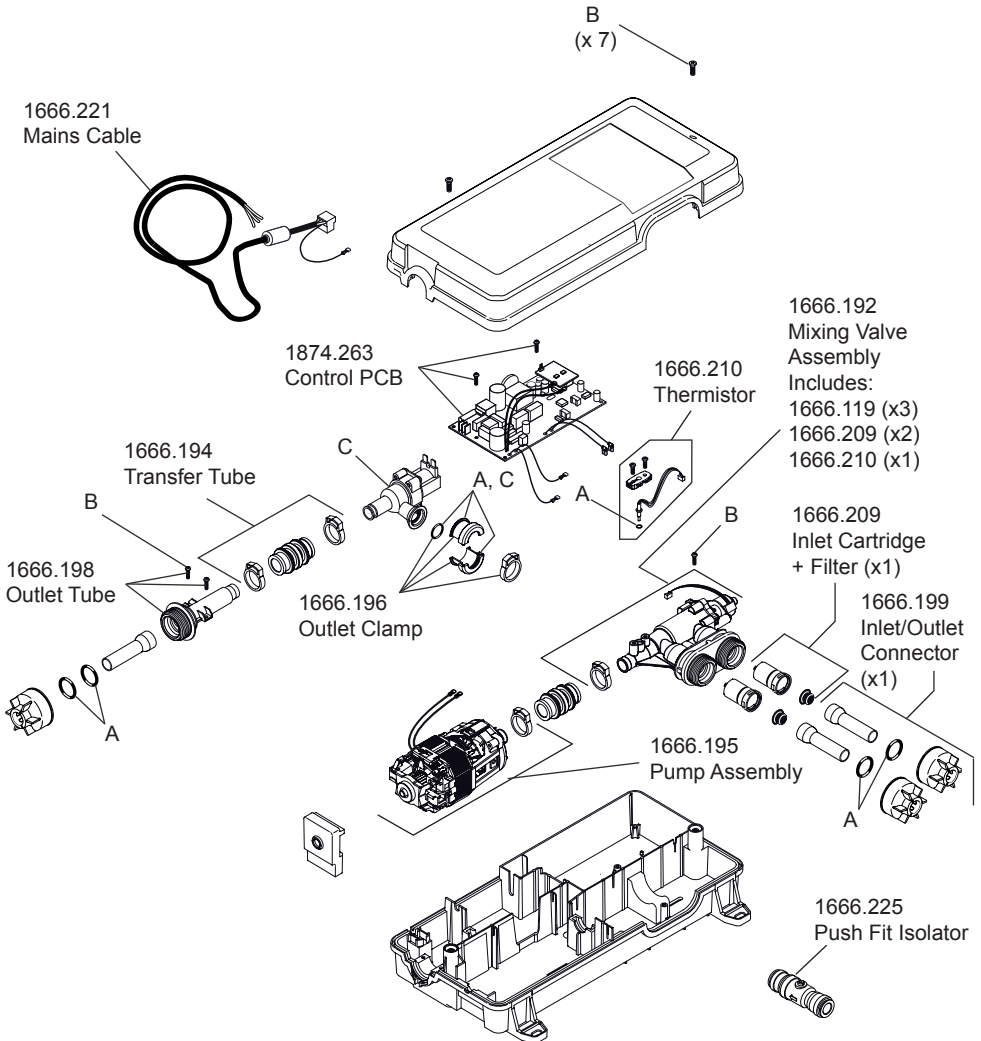
- 1666.212 Seal Pack - Components Identified 'A'
- 1666.213 Screw Pack - Components Identified 'B'
- 1874.277 User Interface Cable
- 1874.278 Remote On/Off Cable
- 1874.279 Coupler Cable
- 1874.280 Coupler Cable (Bathfill)

Mira Mode Dual High Pressure



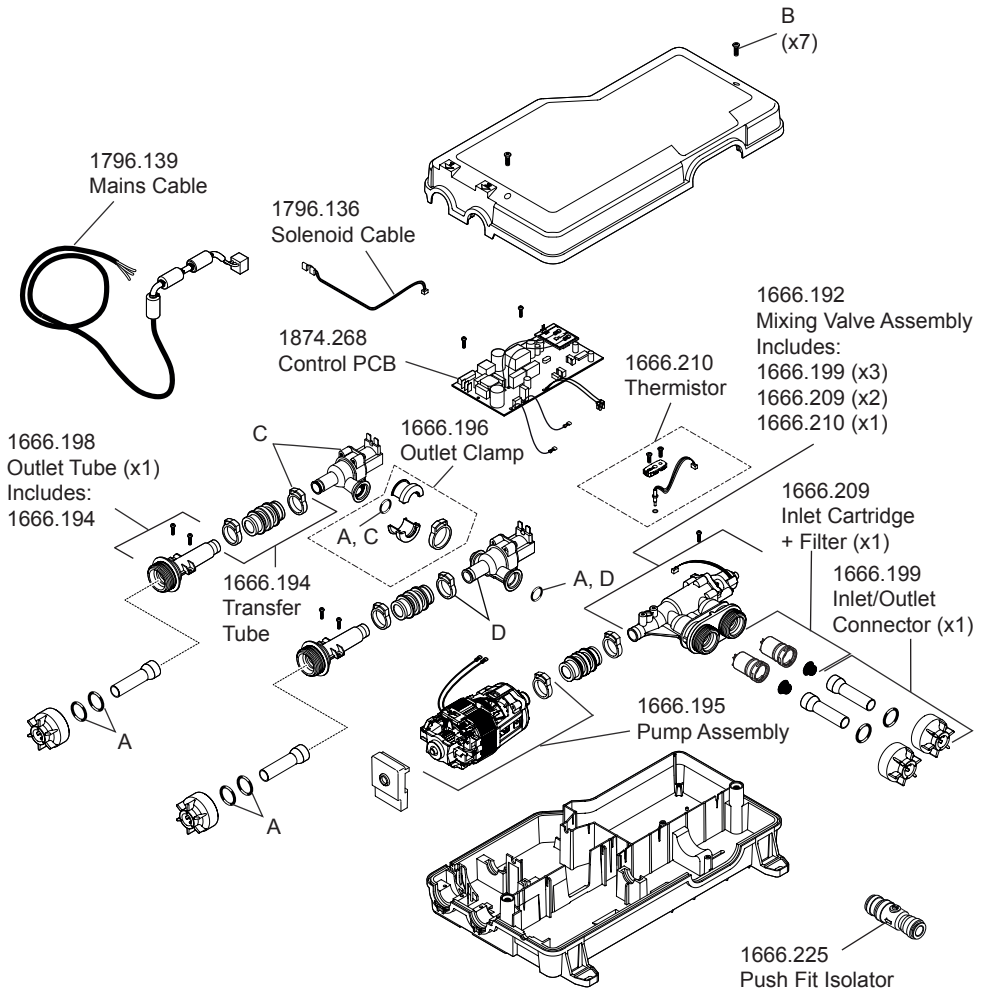
- 1666.212 Seal Pack - Components Identified 'A'
- 1666.213 Screw Pack - Components Identified 'B'
- 1874.277 User Interface Cable
- 1874.278 Remote On/Off Cable
- 1874.279 Coupler Cable
- 1874.280 Coupler Cable (Bathfill)

Mira Mode Single Pumped



- 1666.212 Seal Pack - Components Identified 'A'
- 1666.213 Screw Pack - Components Identified 'B'
- 1666.197 Solenoid - Components Identified 'C'
- 1874.277 User Interface Cable
- 1874.278 Remote On/Off Cable
- 1874.279 Coupler Cable
- 1874.280 Coupler Cable (Bathfill)

Mira Mode Dual Pumped



- 1666.212 Seal Pack - Components Identified 'A'
- 1666.213 Screw Pack - Components Identified 'B'
- 1666.197 Solenoid - Components Identified 'C'
- 1796.138 2nd Outlet Solenoid - Components Identified 'D'
- 1874.277 User Interface Cable
- 1874.278 Remote On/Off Cable
- 1874.279 Coupler Cable
- 1874.280 Coupler Cable (Bathfill)

Disposal and Recycling

End of Product Life

When this appliance has reached the end of its serviceable life, it should be disposed of in a safe manner, in accordance with current local authority recycling, or waste disposal policy.



This symbol on the product or its packaging indicates that this product should not be disposed of with your other household waste. Instead, it is your responsibility to dispose of your waste equipment by handing it over to a designated collection point for the recycling of waste electrical and electronic equipment. The separate collection and recycling of your waste equipment at the time of disposal will help to conserve natural resources and ensure that it is recycled in a manner that protects human health and the environment. For more information about where you can drop off your waste equipment for recycling, please contact your local council office, your household waste disposal service or the shop where you purchased the product.

Customer Service

Guarantee

Your product has the benefit of our manufacturer's guarantee which starts from date of purchase. This guarantee only applies in the United Kingdom and Republic of Ireland. To activate this guarantee, please return your completed registration card, visit our website or free phone 0800 5978551 within 30 days of purchase (UK only).

Within the guarantee period we will resolve defects in materials or workmanship, free of charge, by repairing or replacing parts or product as we may choose.

This guarantee is in addition to your statutory rights and is subject to the following conditions :

- The guarantee applies solely to the original installation under normal use and to the original purchaser only. The product must be installed and maintained in accordance with the instructions given in this guide.
- Servicing must only be undertaken by us or our appointed representative.

Note! If a service visit is required the product must be fully installed and connected to services.

- Repair under this guarantee does not extend the original expiry date. The guarantee on any replacement parts or product ends at the original expiry date.
- For shower fittings or consumable items we reserve the right to supply replacement parts only.

The guarantee does not cover:

- Call out charges for non product faults (such as damage or performance issues arising from incorrect installation, improper use, inappropriate cleaning, lack of maintenance, build up of limescale, frost damage, chemical attack, corrosion, system debris or blocked filters) or where no fault has been found with the product.
- Water or electrical supply, waste and isolation issues.
- Compensation for loss of use of the product or consequential or indirect loss of any kind.
- Damage or defects caused if the product is repaired or modified by persons not authorised by us or our appointed representative.
- Routine maintenance or replacement parts to repaired or modified by persons not authorised by comply with the requirements of the TMV2 or repaired or modified by persons not authorised by TMV3 healthcare schemes
- Accidental or wilful damage.
- Products purchased ex-showroom display.

What to do if something goes wrong

If your product does not work correctly refer to this manual for fault diagnosis and check that it is installed and commissioned in accordance with our instructions. If this does not resolve the issue, contact us for help and advice.



Helpdesk Service

Contact our Customer Services Team for product advice, to purchase spare parts or accessories or to set up service visit. You can contact us via phone or e-mail - contact details below.

Please provide your model name, power rating (if applicable) and date of purchase.



Mira Showers Website

www.mirashowers.co.uk

Visit our website to register your guarantee, download user guides, diagnose faults, purchase our full range of accessories and popular spares, or request a service visit.



Spares and Accessories

We hold the largest stocks of genuine Mira spares and accessories. Contact us for a price or visit our website to purchase items from our accessory range and popular spares. (Only available in the United Kingdom)



Service/Repairs

No one knows our products better than our nationwide team of Service Technicians. We can carry out service or repair work to your product both during and after the guarantee period. (Only available in the United Kingdom and Republic of Ireland) Ask about our fixed price service repairs.

To Contact Us: UK



0844 571 5000

Calls cost 7p per minute plus your phone company's access charge



Fax: 01242 282595



Email – Visit

www.mirashowers.co.uk/contactus



By Post: **Mira Customer Services Dept, Cromwell Road, Cheltenham, Gloucestershire GL52 5EP**

To Contact Us: Eire Only



01 531 9337



E-mail:

CustomerServiceEire@mirashowers.com

Mira is a registered trade mark of Kohler Mira Limited.

The company reserves the right to alter product specifications without notice.



mira
SHOWERS