

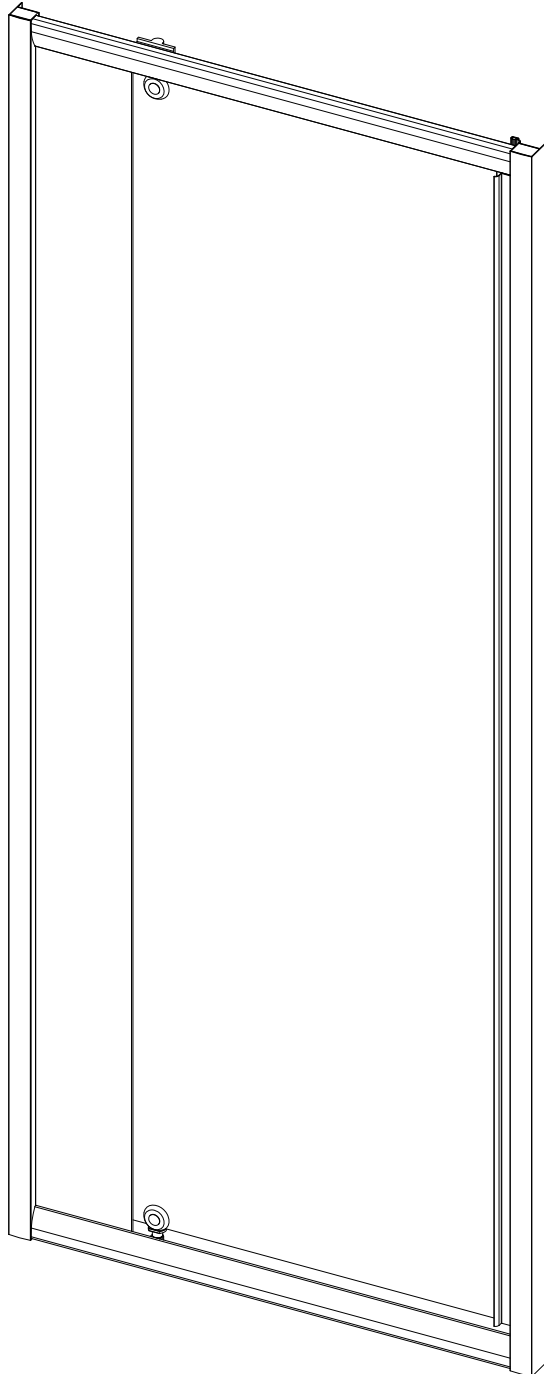
Installation Instructions

Pivot Door Shower Enclosure

161390

Left Hand Installation

Image shows shower enclosure door moves leftwards. when door moves rightwards please mirror the installation process.



Important Note on Safety Glass

In order to comply with European Regulatory Requirements, all of our bath screens undergo a thermal toughening process.

This process makes the glass significantly stronger compared to standard glass, however in the unlikely event the glass should break during use, the glass in its entirety will shatter into small manageable fragments, the intention of this ensures avoiding large dangerously sharp shards of glass

Important - Please Read

- Important: The wall plugs included in this pack are for solid walls only. If the product is to be mounted on a partition or stud wall, specialised fixings should be purchased separately-your local building merchant should be able to ensure you have the correct fixings for intended wall type.
- CAUTION!
Before drilling into any walls check that there are no hidden cables or pipes. Exercise great care when using power tools near water. The use of a residual current device (RCD) or cordless drill is recommended. Always double check the positioning and measurements before drilling holes.
- This product is heavy and requires two people during lifting and installation.
- Glass is delicate, support on cardboard to minimise the risk of damage.

Product Information

- 161390 Pivot door=760mm adjustment ⇒725-765mm

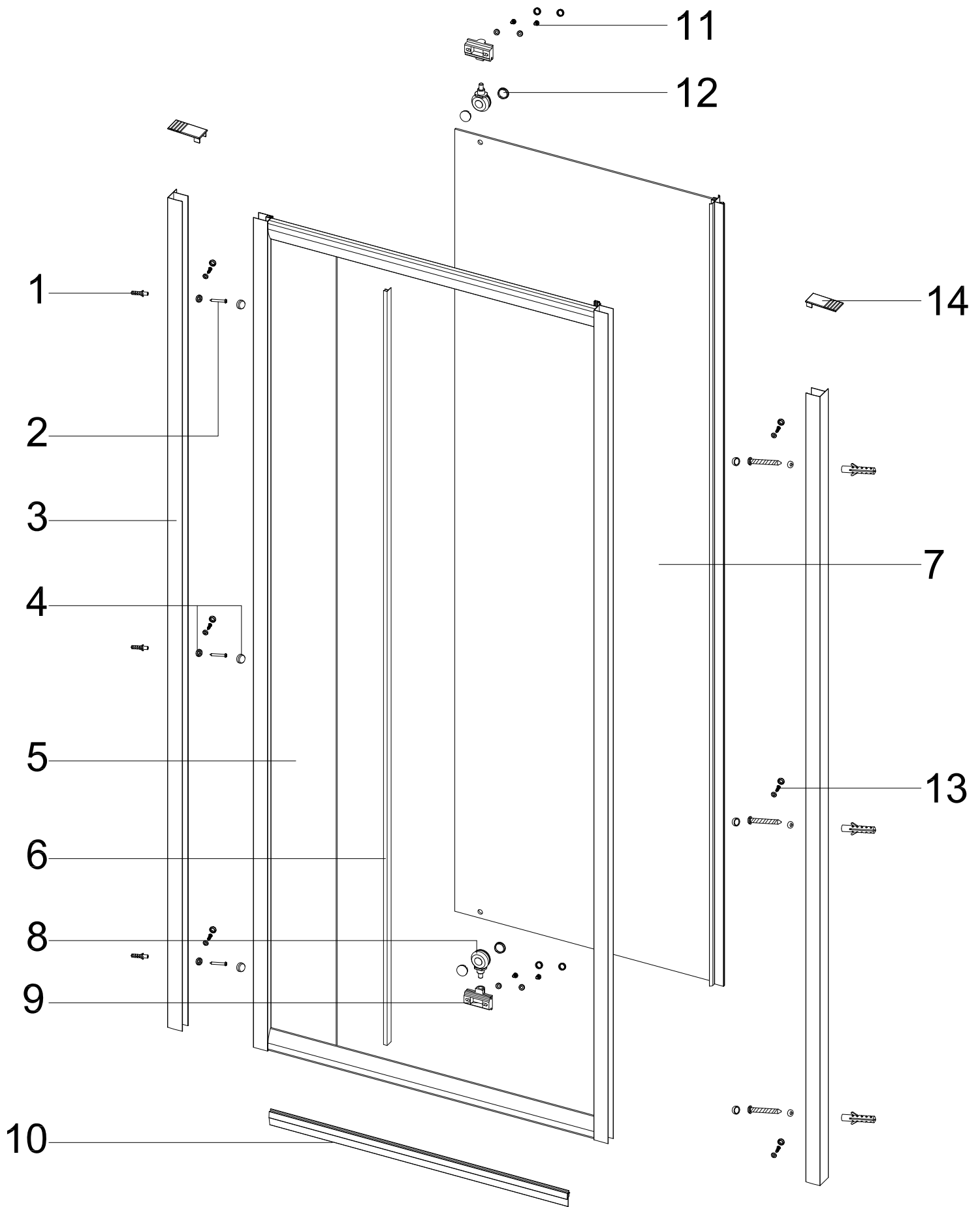
Installation Tips

- Fixing tips; A piece of insulating tape or a couple of layers of masking tape applied to the wall before marking out the fixing holes will help stop the drill from wandering, particularly on tiled surfaces.
- When working near a basin or bath insert the plug into the waste, this will help you avoid losing small parts. Also take care not to drop accessories or tools onto the bath or basin, use a towel or bathmat to protect delicate surfaces.
- Do not fix the wall profile to newly plastered,painted or papered walls as chemical reaction may cause discolouration to surface finish.
- Check that the tray has been installed to the manufacturer's instructions.
Please note-All product is supplied without a tray.
- Ensure that a silicone-based bathroom sealant is used to prevent any leaks.

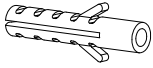





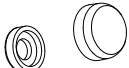
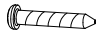
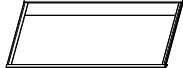


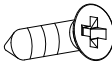
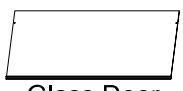
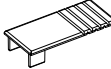
Legal statement

- We have taken great care to ensure that this product reaches you in perfect condition. However should any parts be damaged or missing please contact your point of purchase. This does not affect your statutory rights. In addition if you require replacement parts your point of purchase will be happy to assist.

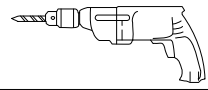

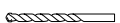
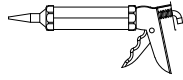


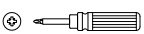

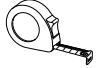
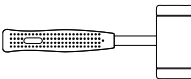
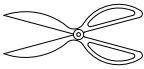
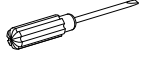


IDENTIFICATION OF PARTS



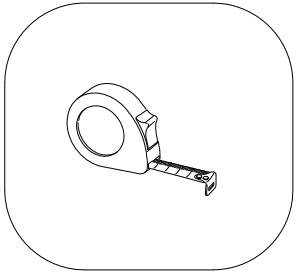
Fixings & fittings supplied

Item No.:	Part	Quantity	Item No.:	Part	Quantity
1	 Wall Plugs(Solid Walls)	x6	8	 Hinges	x2
2	 ST3.9X35 Wall Screws	x6	9	 Hinge Bases	x2
3	 Aluminium Profiles	x2	10	 Bottom Seal Strip	x1
4	 Screw cover caps	x16	11	 ST3.9X25 Screws for hinge Base	x4
5	 Door Frame	x1	12	 Caps	x4
6	 Seal Strip	x1	13	 ST3.5X10 Profile Screws	x6
7	 Glass Door	x1	14	 Profile covers	x2

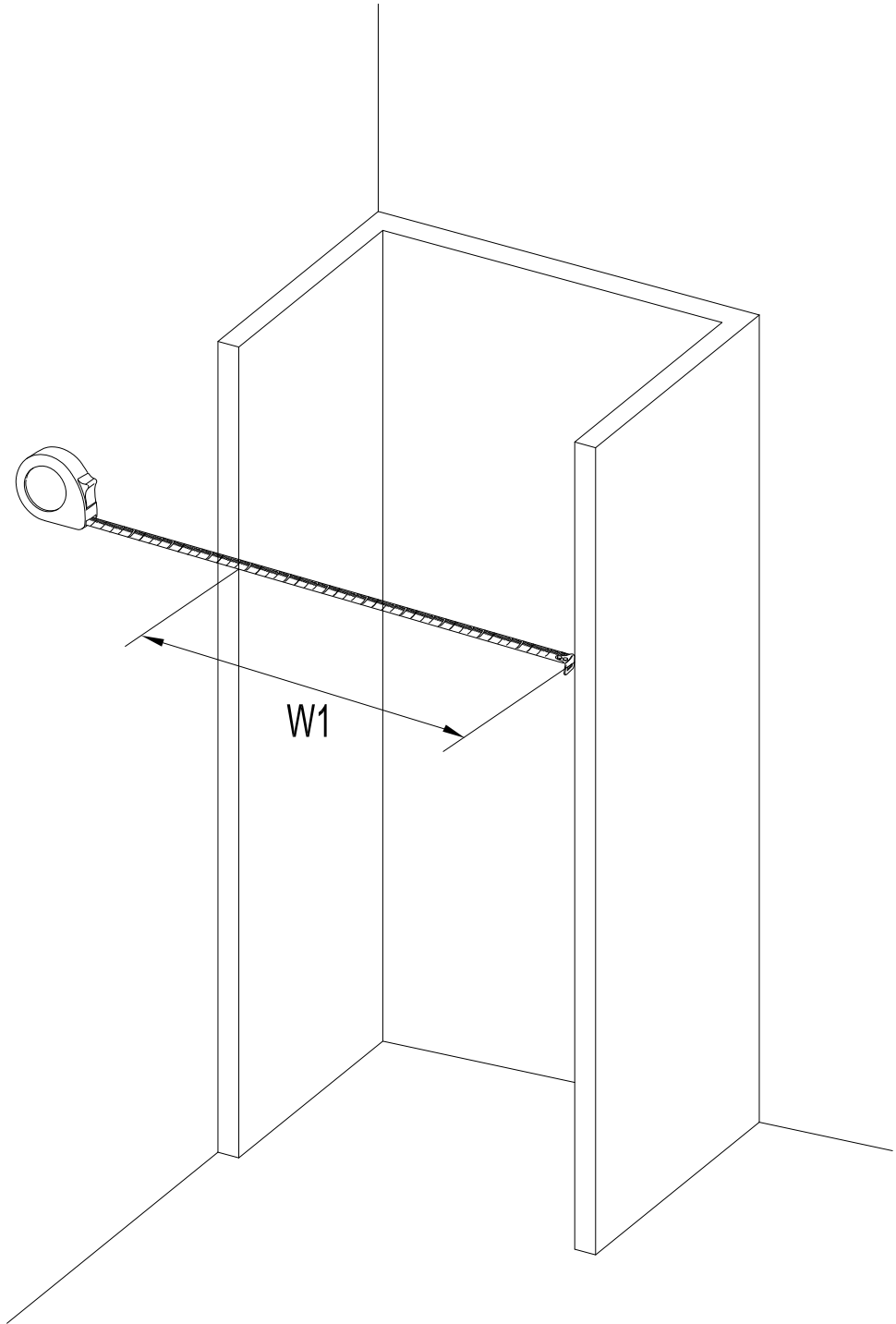
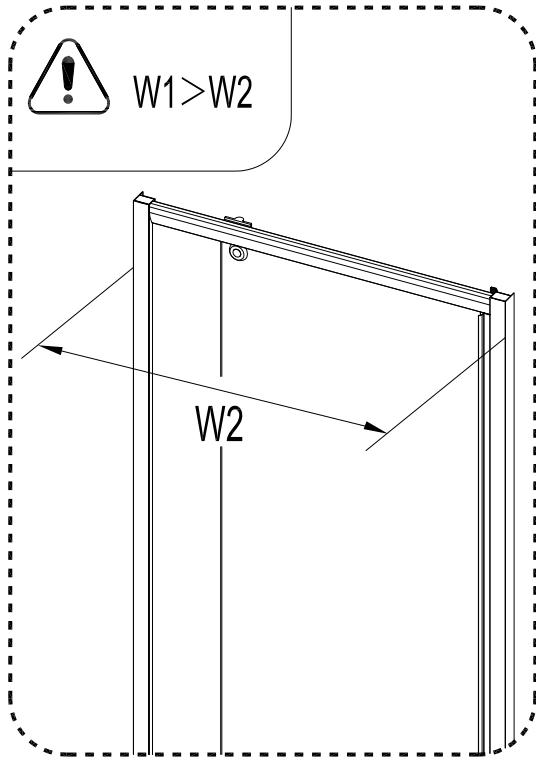
Tools required(not supplied)

Electric Drill		pencil	
Ø3mm HSS drill bit		Silicone sealant gun	
Ø6Masonry drill bit		Silicone sealant	
Cross-Head screwdriver		Spirit level	
Tape Measure		Rubber mallet	
Scissors		Straight screwdriver	
Eye Protection		Gloves	

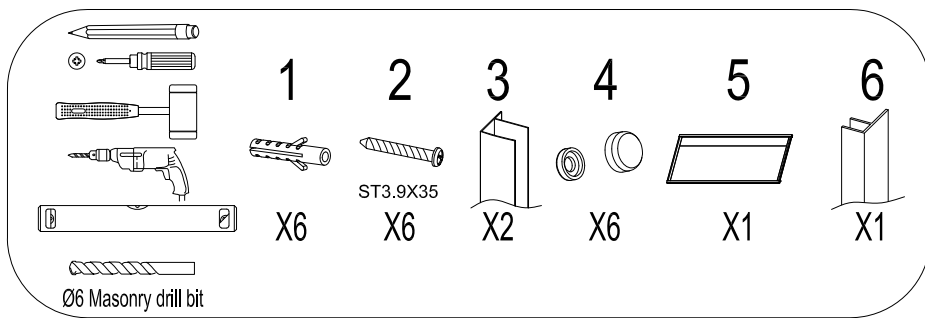
① ASSEMBLY INSTRUCTIONS



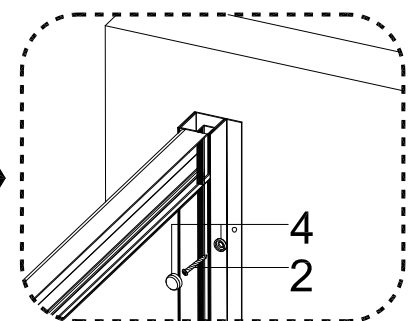
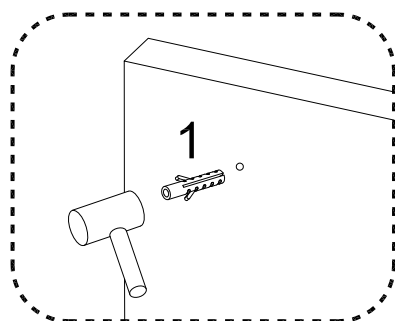
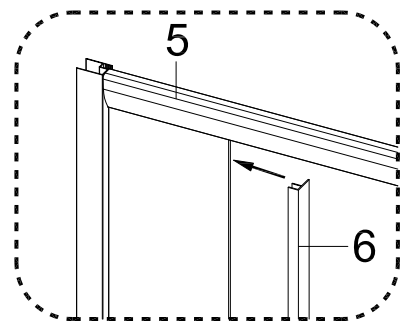
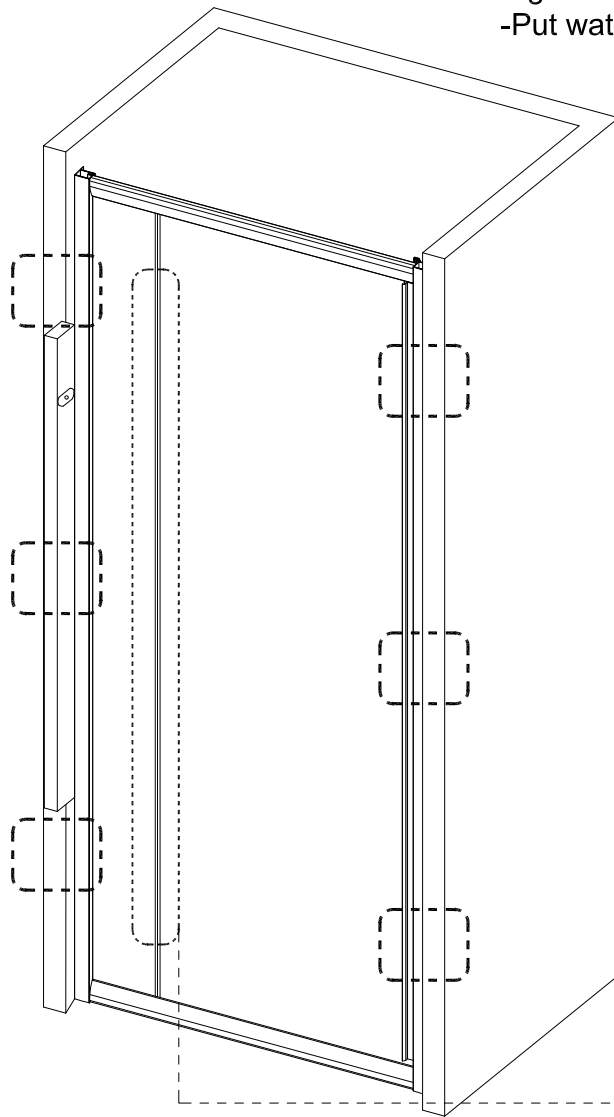
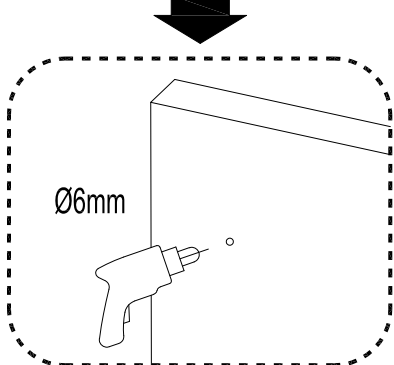
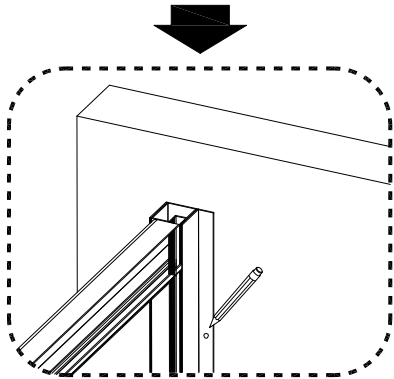
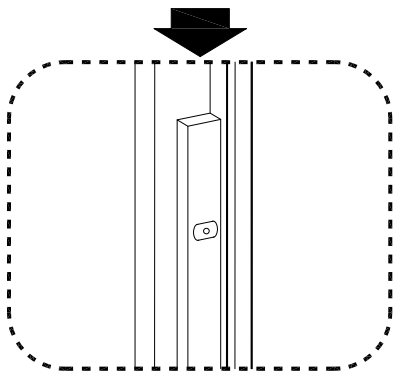
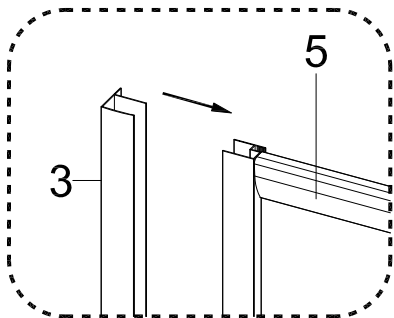
- Double check the dimensions of recess and ensure suitability of product.



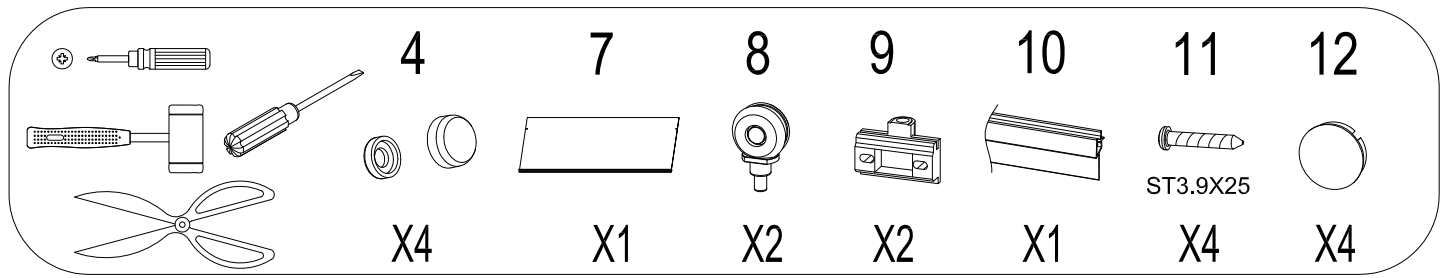
② ASSEMBLY INSTRUCTIONS



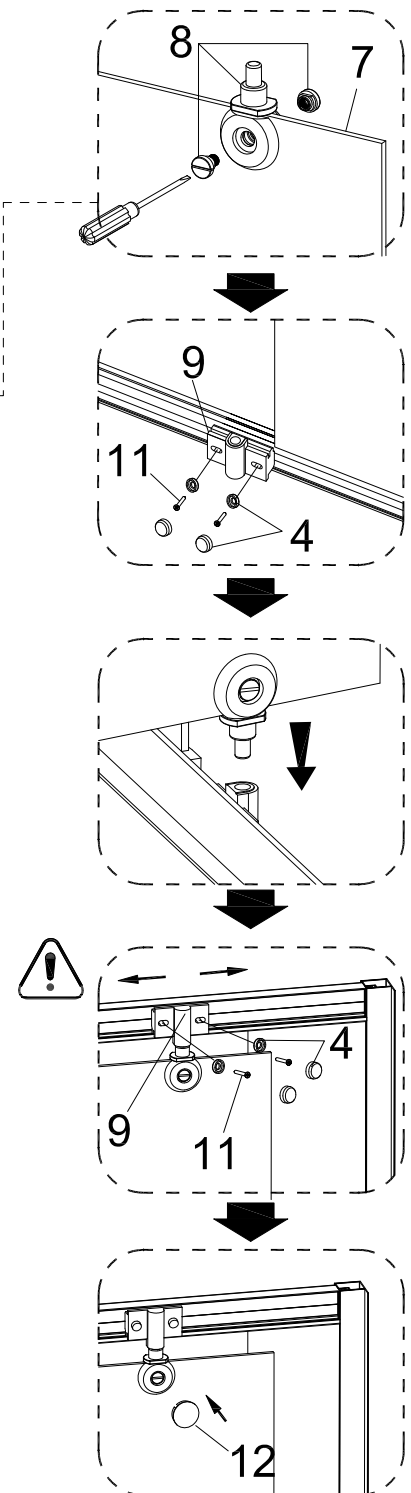
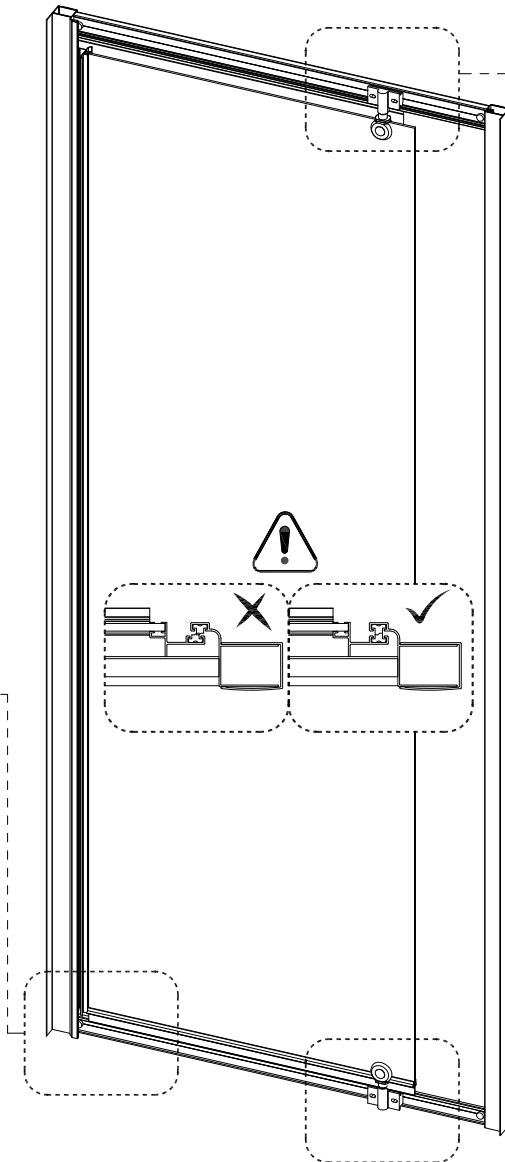
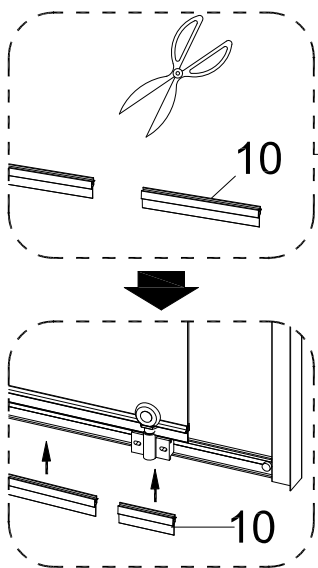
- Insert wall profiles (3) onto frame(5)
- Position wall profiles (3) using a spirit level to Vertical alignment
- Mark the positions of pre-drilled fixing holes on the wall profiles(3)against the wall with a pencil
- Drill the marked holes using a 6mm masonry drill bit
- Using rubber hammer to install supplied wall plugs (1)
- Using screws (2) to fix wall profiles (3) against the wall
- Put waterproof strip (6) onto glass



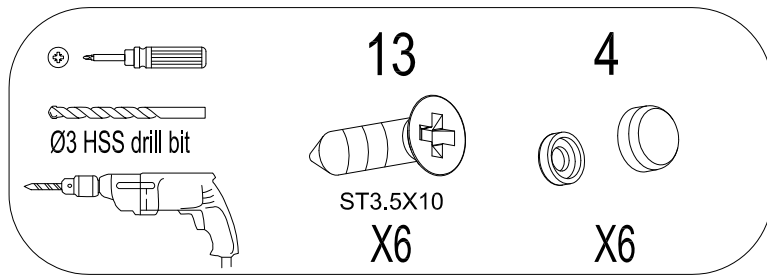
③ ASSEMBLY INSTRUCTIONS



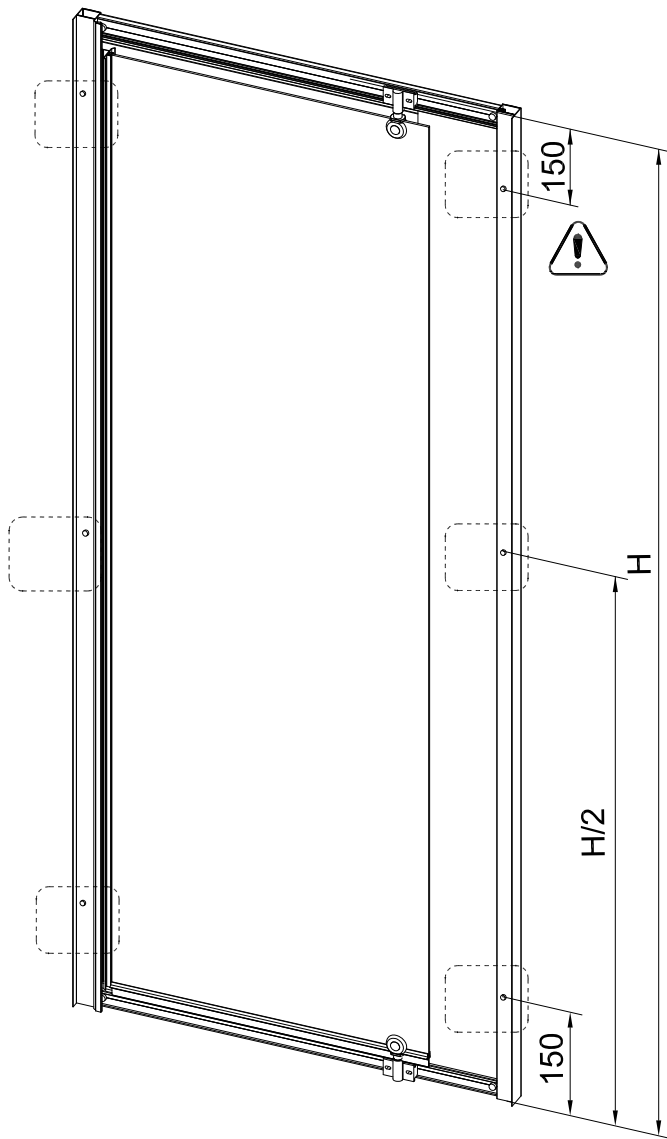
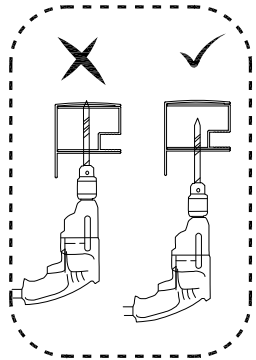
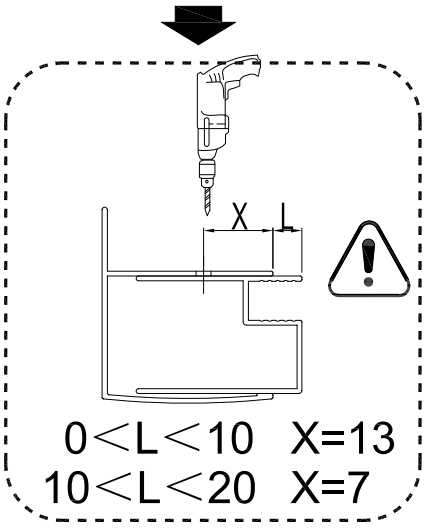
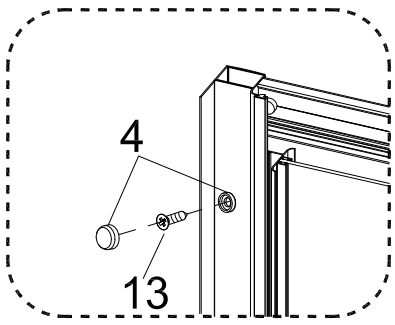
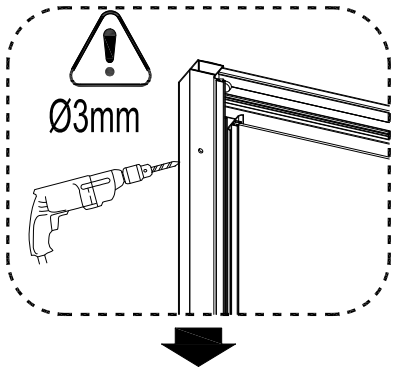
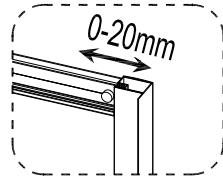
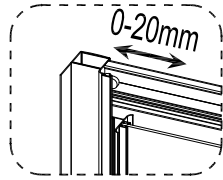
- Installing the hinge (8) onto door glass (7).
- Fix the hinge base (9) onto the bottom guide rail ,using screws(11) to connect hinge(8) with hinge base (9),then fixing the cap (4).
- Fix the hinge bases (9) onto the top guide rail ,using screws (11) to connect hinge(8) with hinge base (9),then fixing the cap (4).
- Fix the caps (12) onto the hinge (8).
- Cutting the seal strip (10) into two parts to suit for the bottom of the pivot door.
- Please note: Before fastening screws(11), make sure top/bottom door seal are matched by adjusting the top/bottom hinges.



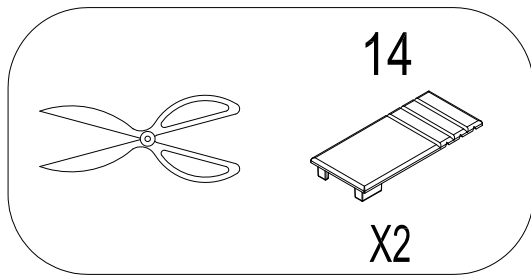
④ ASSEMBLY INSTRUCTIONS



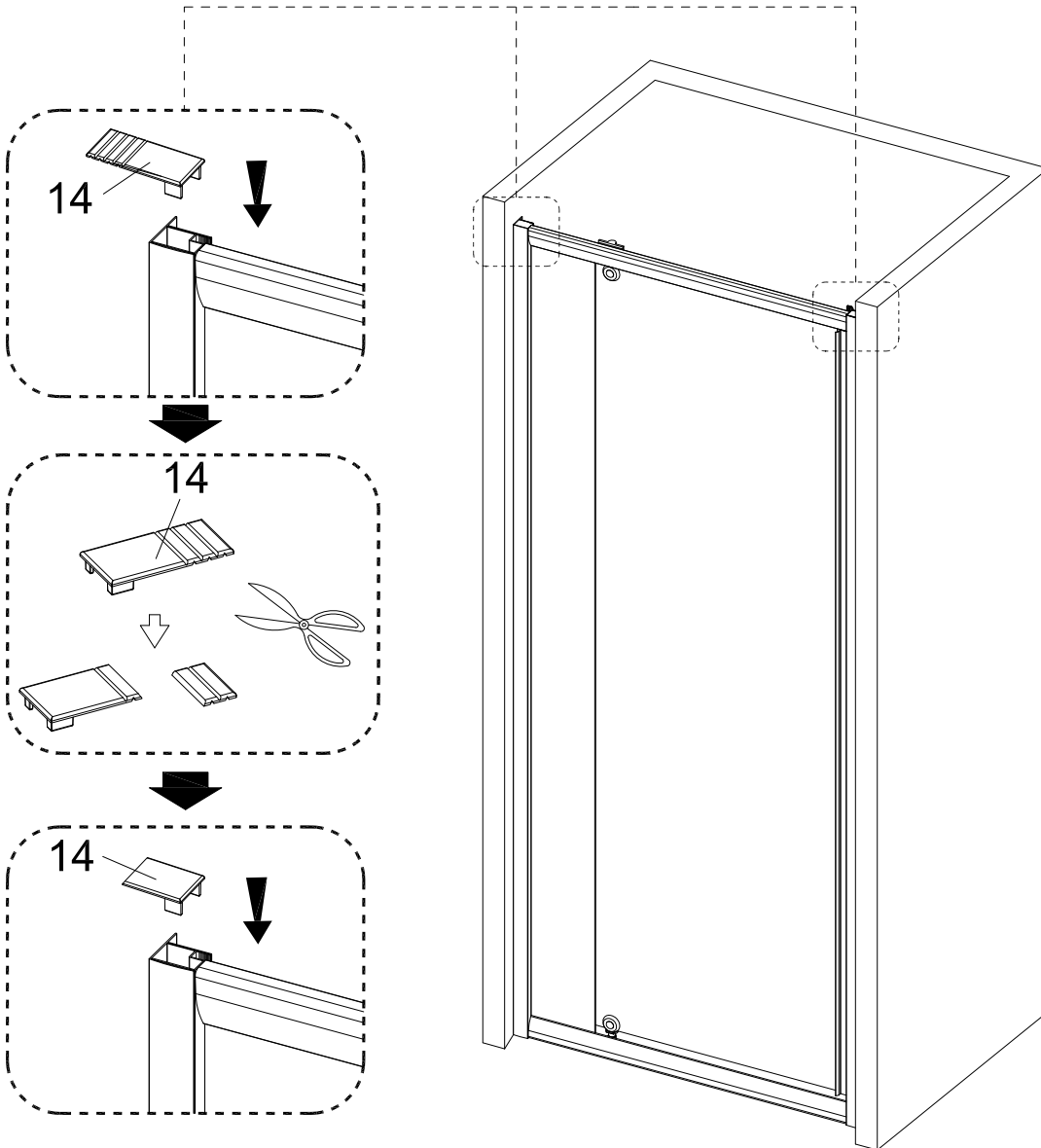
- There is 20mm of adjustment on each profile.
- Drill holes into the wall channel using a 3mm HSS drill bit. CAREFUL-Do not drill all the way through the wall profiles(3) Only enough to insert the screws(13).
- Using screws(13) and caps (4) to fix the frame to the wall profile.



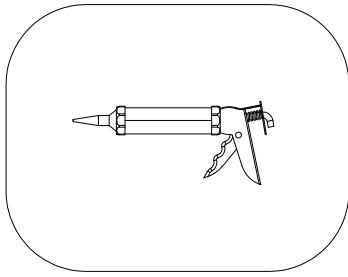
⑤ ASSEMBLY INSTRUCTIONS



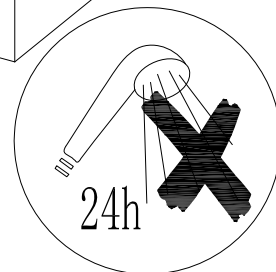
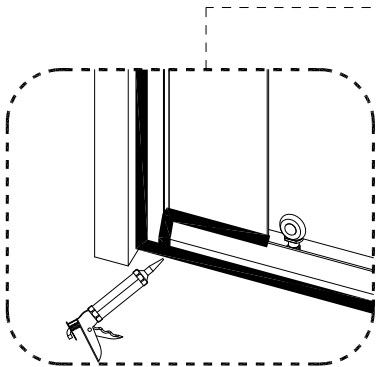
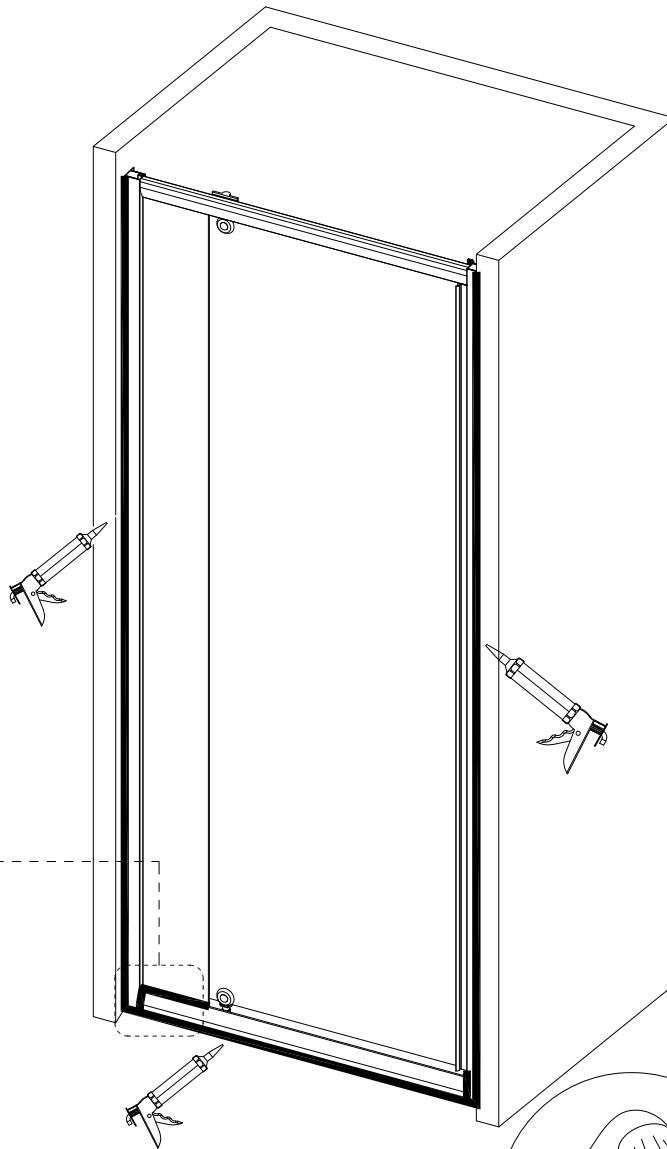
-Using Scissors cut the profile cover cap (14) to the right size and apply to the wall profile top.



⑥ ASSEMBLY INSTRUCTIONS



- Apply silicone sealant to the outside of the pivot door.
- Please Note:- For reasons of correct water drainage DO NOT Silicone the internal of the shower door or frame.



CLEANING -general

Use only warm soapy water and damp cloth/sponge on a regular basis. Do not use abrasive scouring powders, chemicals or aerosol cleaners-these may result in damage to the surfaces, in particular, the plated component parts.

sealant drying times may vary in cold damp conditions and will be extended where thicker beads of sealant are applied. Allow sealant to dry completely before exposing to water.

We have taken great care to ensure that this product reaches you in perfect condition. However should any parts be damaged or missing please contact your point of purchase. This does not affect your statutory rights. In addition if you require replacement parts your point of purchase will be happy to assist.