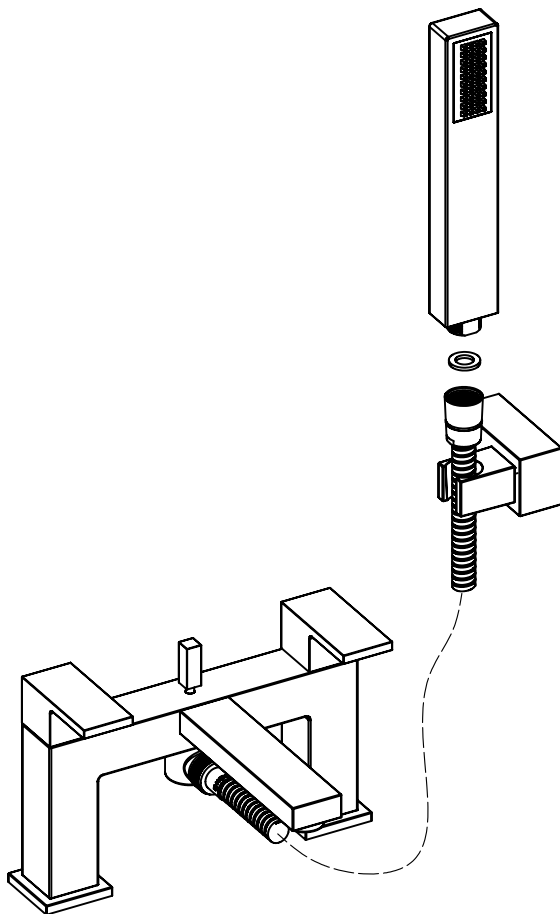


Bath Shower Mixer

Fitting instructions



Please keep these instructions for future reference and request of replacement parts.

We have taken great care to ensure that this product reaches you in perfect condition. However should any parts be damaged or missing please contact your point of purchase. This does not affect your statutory rights. In addition if you require replacement parts your point of purchase will be happy to assist.

Contents	Page
1. Tools required	2
2. Parts Supplied	3
3. Specifications	3
4. Installation	3-4
5. Aftercare	4

**Tools required
(Tools not supplied)**



Parts Supplied

NO.	Description	Qty
1	Tap Body	1
2	Flange (if supplied)	2
3	Sealing Washer	2
4	Anti-Rotational Washer	2
5	Backnuts	2
6	Shower Hose	1
7	Wall Bracket	1
8	Handset	1

Specifications

The taps is suitable for use at water supply pressures of 0.5 bar (min.) to 5 bar (max.).

This pressure rating is determined by the manufacturer using soft water under test house conditions and may differ to the retailer's recommendation.

This taps should be installed in compliance with Water Regulations. For further details contact your Local Water Authority.

- (a) Identify all components and check pack contents.
- (b) Turn off water mains supply.

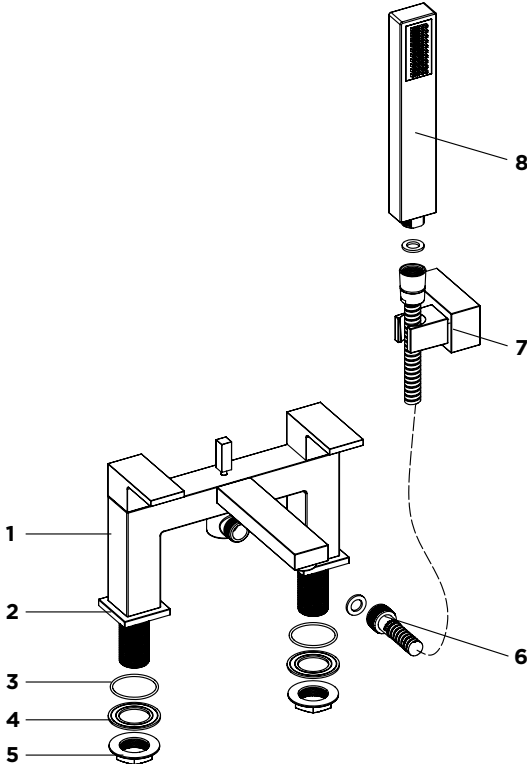
Installation

1. Fit Tap Body (1) to bath, ensuring that the Sealing Washer (3) is fitted between the Flange (2) and the bath. if the Flange (2) is not supplied, fit Sealing Washer (3) directly to the Tap Body (1).
2. Fit Anti-Rotational Washer (4) over inlet legs. Then fit Backnuts (5) to the inlet legs and tighten. **DO NOT OVER TIGHTEN.**
3. Connect to the water supply using suitable plumbing joints.
4. Fix Shower Hose (6) to Tap Body (1) using the Rubber Washer supplied with the shower hose. Rubber Washer to be fitted between the Shower Hose (6) and the Tap Body (1). **DO NOT OVER TIGHTEN.**
5. Fix Wall Bracket (7) to the wall at the required height ensuring the Handset (8) will fit correctly into the Wall Bracket (7).
6. Turn on the hot and cold and mains water supply. Check for leaks immediately. It is

always advisable at this stage to flush out the system. To do this, open both valves fully and allow water to flow for approx.1 minute. This will remove any foreign matter within the installation.

7. Finally turn on all the water heating arrangements.

8. Assemble Shower Hose (6) to Handset (8) using Rubber Washer supplied with Shower Hose (6) . DO NOT OVERTIGHTEN.



Note: Tap head shown is for illustration purposes only.

Aftercare

Whilst modern plating techniques are used in the manufacture of these fittings, the plating will wear if not cleaned properly. The safest way to clean your product is to wipe with a soft damp cloth. Stains can be removed using washing up liquid. All cleaning powders and liquids will damage the surface of your fitting even the non-scratch cleaners.