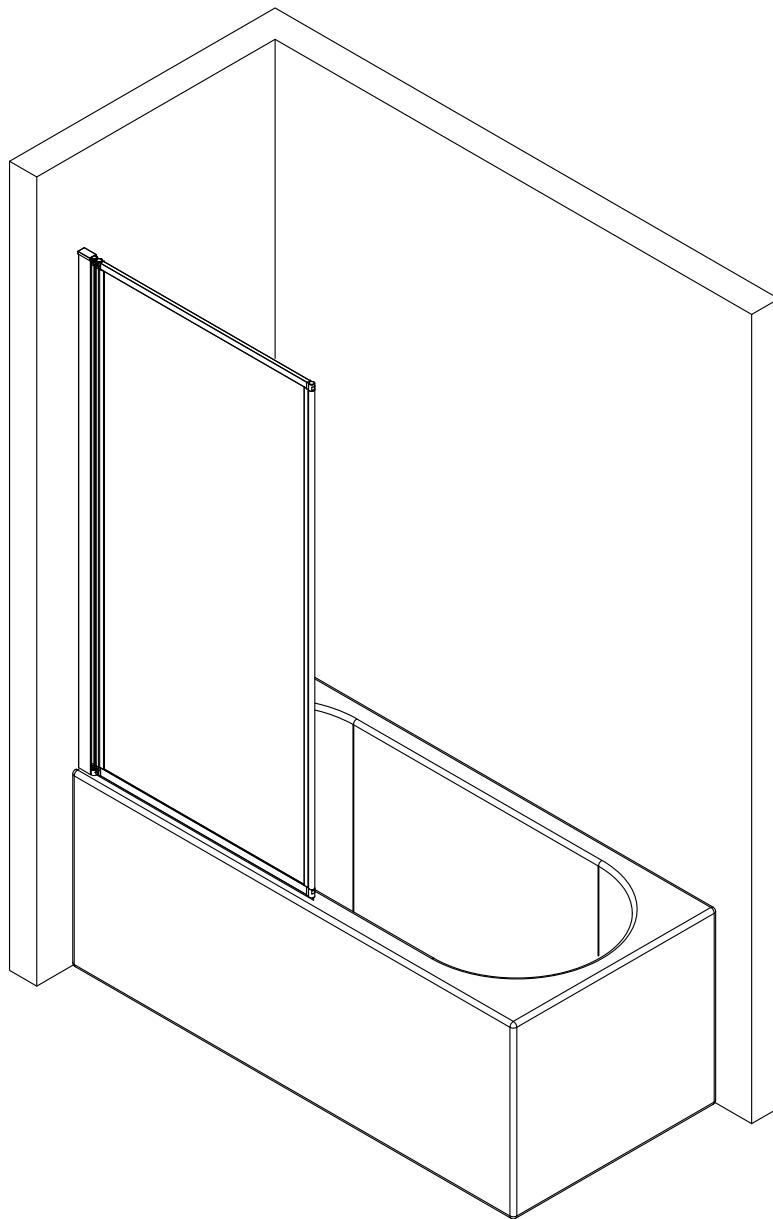


# Bath Screen(full framed) Installation Instructions

Image shows screen fitted in a left hand format.  
To fit the screen right handed,  
please mirror the installation  
process.



## **Important Note on Safety Glass**

In order to comply with European Regulatory Requirements, all of our shower enclosures/bath screens undergo a thermal toughening process.

This process makes the glass significantly stronger compared to standard glass, however in the unlikely event the glass should break during use, the glass in its entirety will shatter into small manageable fragments, the intention of this ensures avoiding large dangerously sharp shards of glass

# Important - Please Read

- Important: The wall plugs included in this pack are for solid walls only. If the product is to be mounted on a partition or stud wall, specialised fixings should be purchased separately-your local building merchant should be able to ensure you have the correct fixings for intended wall type.
- CAUTION!  
Before drilling into any walls check that there are no hidden cables or pipes. Exercise great care when using power tools near water. The use of a residual current device (RCD) or cordless drill is recommended. Always double check the positioning and measurements before drilling holes.
- This product is heavy and requires two people during lifting and installation.
- Glass is delicate, support on cardboard to minimise the risk of damage.

## Product Information

- Bath Screen  
750mm Door adjustment ⇒730-750mm

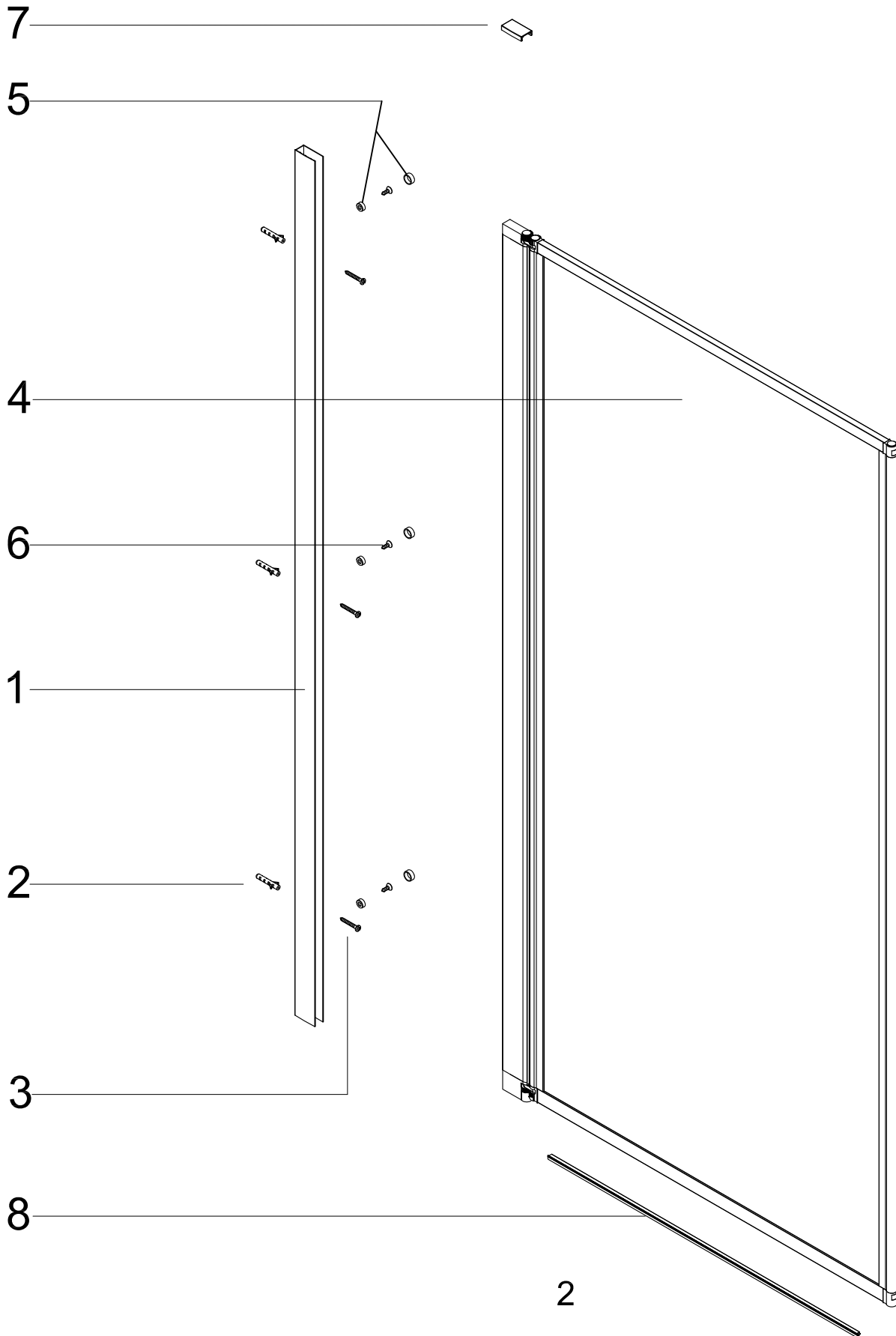
## Installation Tips

- Fixing tips; A piece of insulating tape or a couple of layers of masking tape applied to the wall before marking out the fixing holes will help stop the drill from wandering, particularly on tiled surfaces.
- When working near a basin or bath insert the plug into the waste, this will help you avoid losing small parts. Also take care not to drop accessories or tools onto the bath or basin, use a towel or bathmat to protect delicate surfaces.
- Do not fix the wall profile to newly plastered,painted or papered walls as chemical reaction may cause discolouration to surface finish.

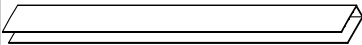
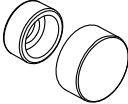
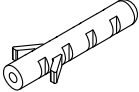
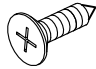
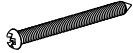
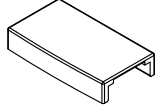


## Legal statement

- We have taken great care to ensure that this product reaches you in perfect condition. However should any parts be damaged or missing please contact your point of purchase. This does not affect your statutory rights. In addition if you require replacement parts your point of purchase will be happy to assist.

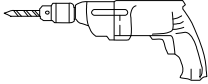


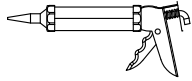

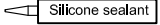
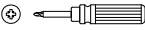

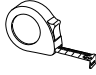
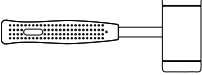


# IDENTIFICATION OF PARTS



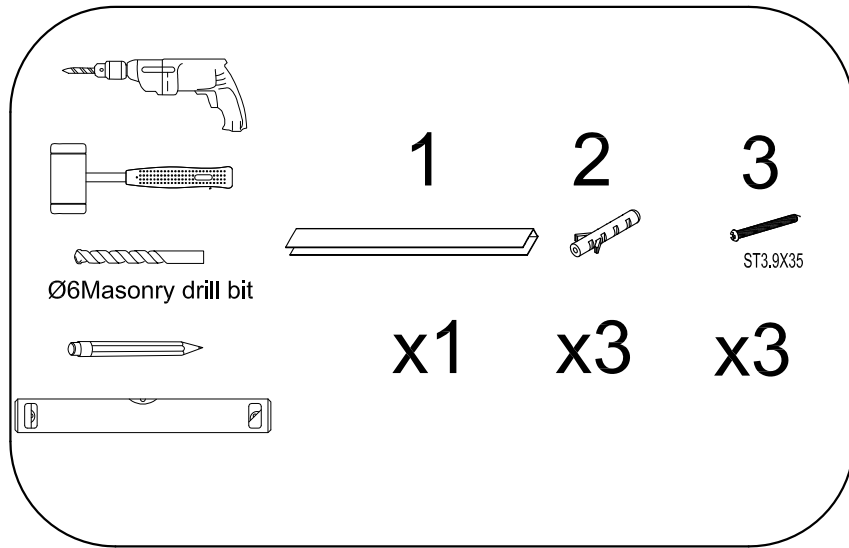
## Fixings & fittings supplied

Item No.:	Part	Quantity	Item No.:	Part	Quantity
1	 Aluminium Profile	x1	5	 Screw cover caps	x3
2	 Wall Plugs(Solid Walls)	x3	6	 ST3.5X10 Profile Screws	x3
3	 ST3.9X35 Wall Screws	x3	7	 Profile Cover	x1
4	 Screen	x1	8	 Water-proof seal	x1

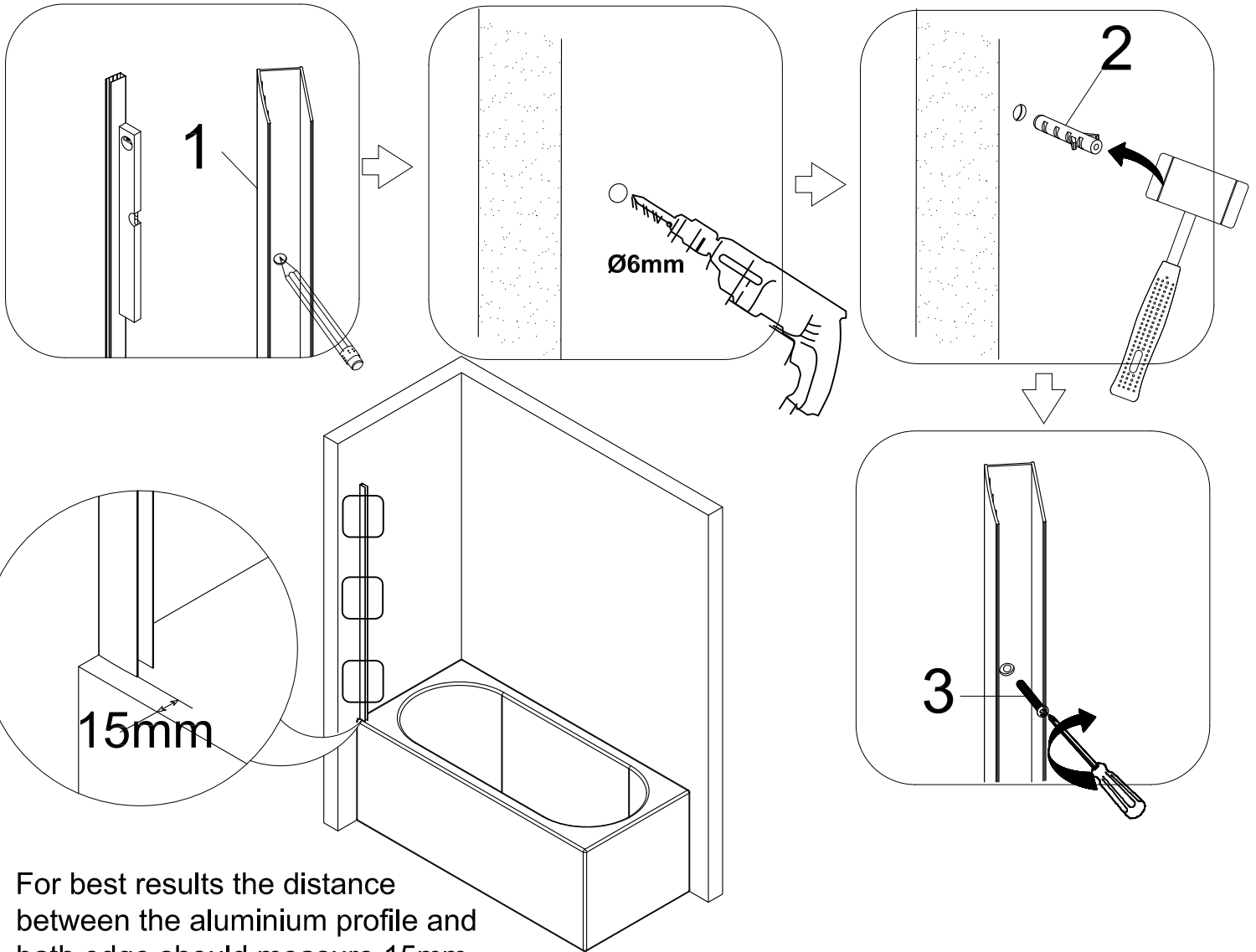
## Tools required(not supplied)

Electric Drill		pencil	
Ø3mm HSS drill bit		Silicone sealant gun	
Ø6Masonry drill bit		Silicone sealant	
Cross-Head screwdriver		Spirit level	
Tape Measure		Rubber mallet	
Eye Protection		Gloves	

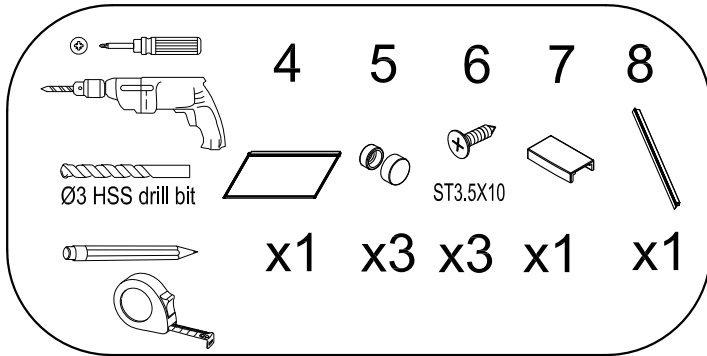
# ① ASSEMBLY INSTRUCTIONS



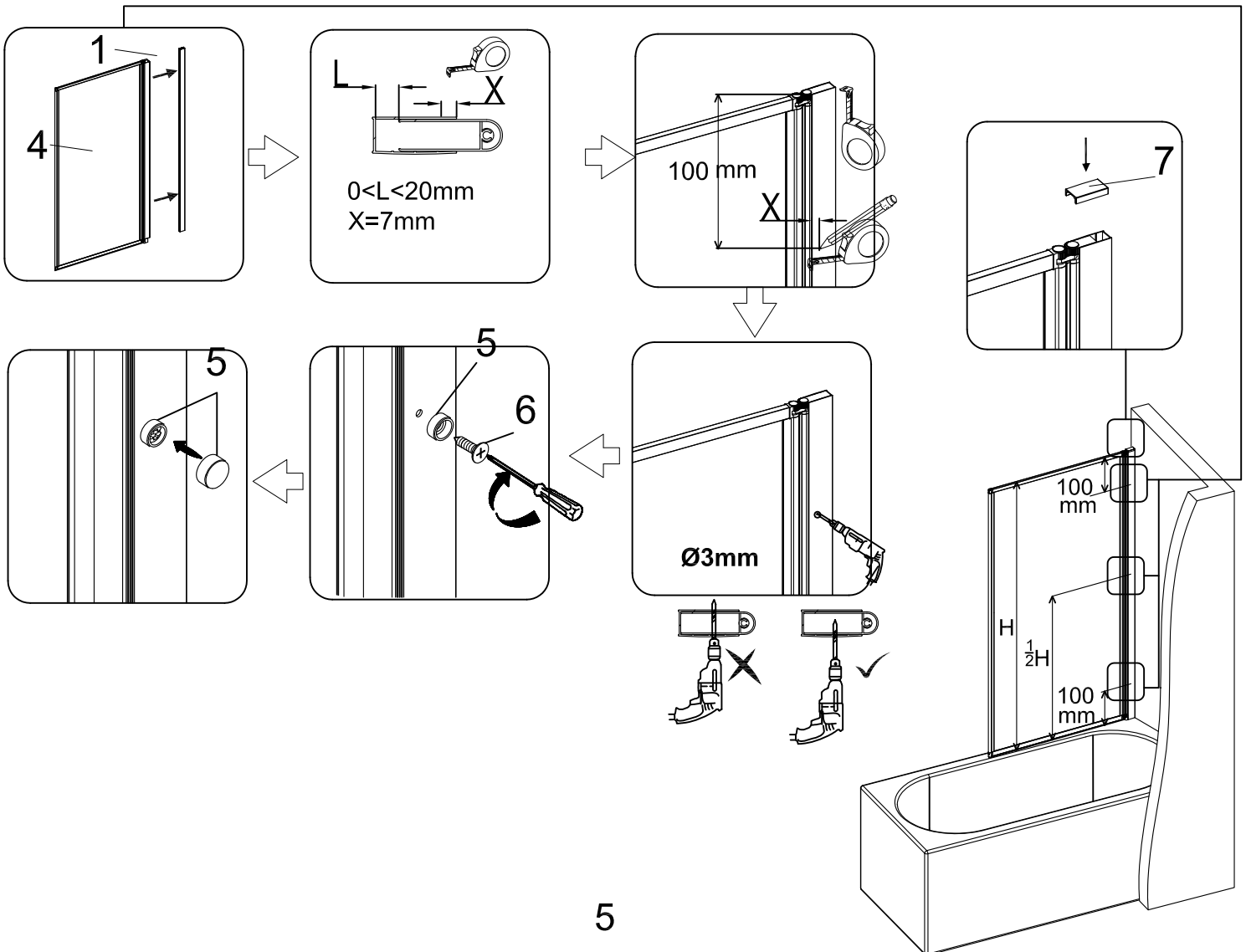
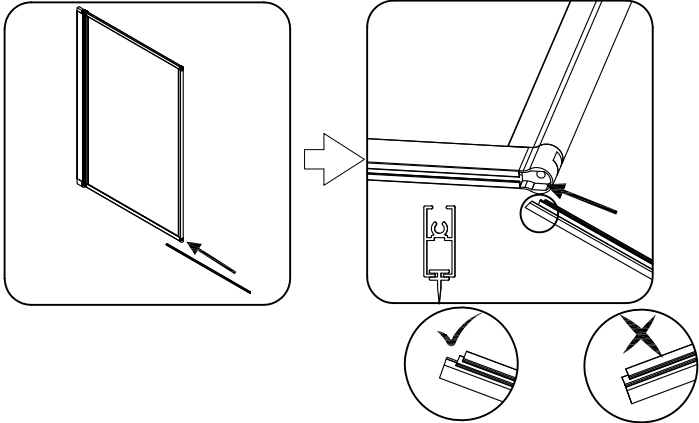
- Position the wall channel(1) with spirit level to ensure alignment and mark the positions of pre-drilled fixing holes with a pencil
- Drill the marked holes using a 6mm masonry drill bit
- Install supplied wall plugs(2)
- Fix the wall profile(1) onto the wall using the screws(3)



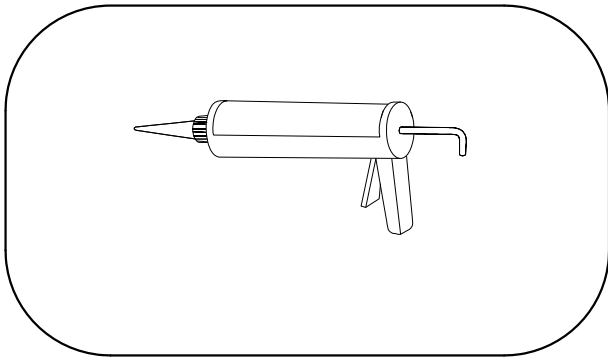
## ② ASSEMBLY INSTRUCTIONS



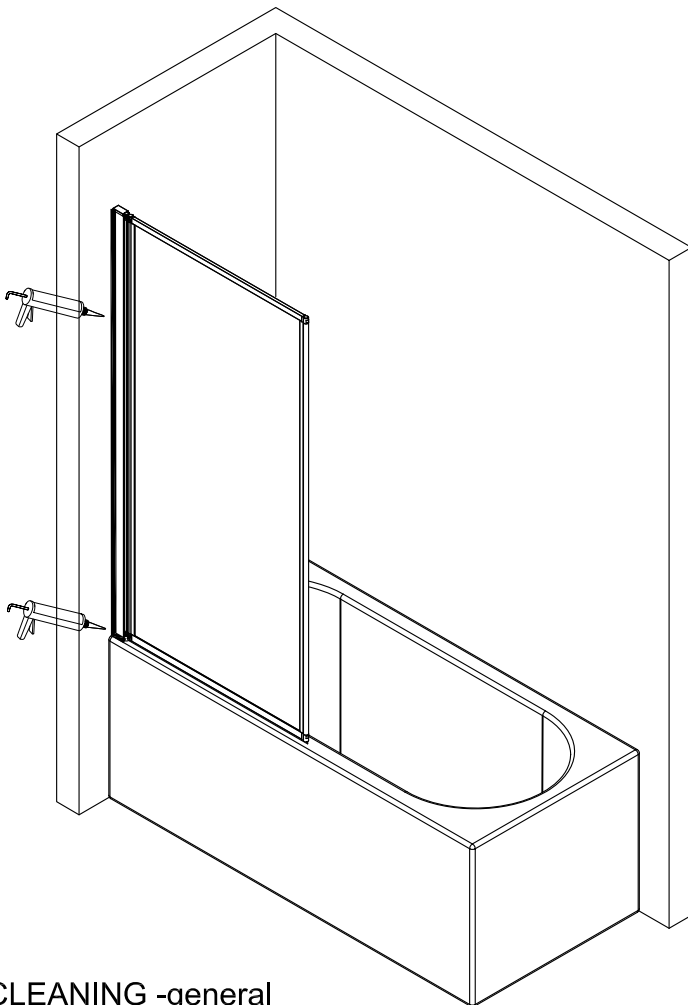
- Insert bottom water-proof seal(8)
- Insert frame(4) onto wall profile(1)
- There is maximum 20mm of adjustment on wall profile (1) ,namely  $0 < L < 20\text{mm}$ , allowing for the square positioning of frame (4) ,making the "X" size to be 7mm.
- Drill the marked holes using a 3mm HSS drill bit. Don't drill through both sides of one wall profile (1).
- Using screws (6) to fix the frame (4) to the wall profile (1) via cap (5).
- Put cap(7) onto top of wall profile(1)



## ③ ASSEMBLY INSTRUCTIONS



- Apply silicone sealant to the outside of the bath screen.
- Please note: Do not apply silicone sealant to the inside of the bath screen



### CLEANING -general

Use only warm soapy water and damp cloth/sponge on a regular basis.  
Do not use abrasive scouring powders, chemicals or aerosol cleaners-these may result in damage to the surfaces, in particular, the plated component parts.

sealant drying times may vary in cold damp conditions and will be extended where thicker beads of sealant are applied. Allow sealant to dry completely before exposing to water.

We have taken great care to ensure that this product reaches you in perfect condition. However should any parts be damaged or missing please contact your point of purchase. This does not affect your statutory rights. In addition if you require replacement parts your point of purchase will be happy to assist.