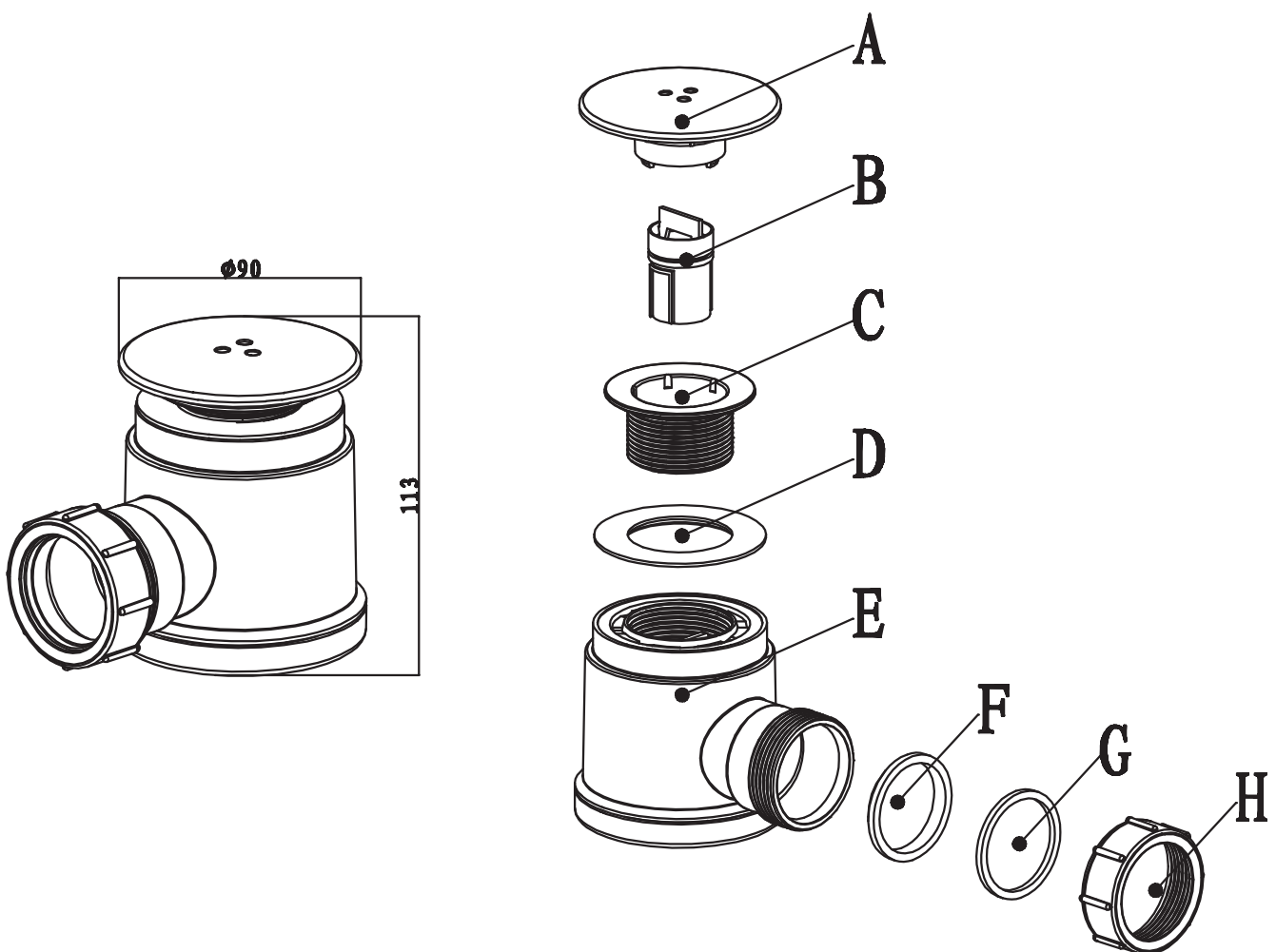


# Domed Shower Tray Waste Installation

## IMPORTANT NOTES

- Please ensure installation is undertaken by an experienced Plumber, as to ensure compliance with all Council and Local Authority requirements
- Please wear appropriate PPE
- It is the responsibility of the person who installs the waste to ensure that the installation is watertight
- We have taken great care to ensure that this product reaches you in perfect condition. However should any parts be damaged or missing please contact your point of purchase. This does not affect your statutory rights. In addition if you require replacement parts your point of purchase will be happy to assist.

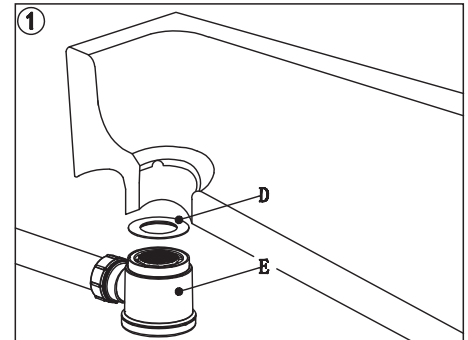


## Installation Steps:

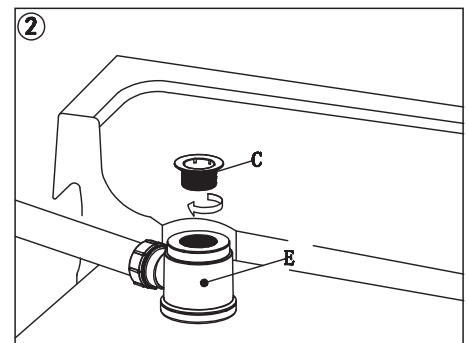
Disassemble the product according to the exploded diagram as per the front page

**IMPORTANT NOTE:** For water to drain correctly after installation - there needs to be at least a 1 degree fall on the waste pipe that reaches the soil/stack pipe. Without this fall, water may not drain away as quickly or may even cause the shower tray to puddle.

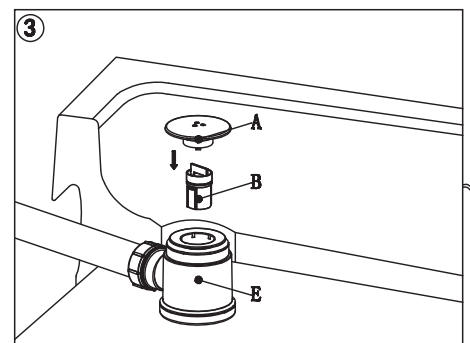
1. Ensure the plastic protective film has been removed from around the tray waste area. Ensure that "D" is correctly in place on flange "E".



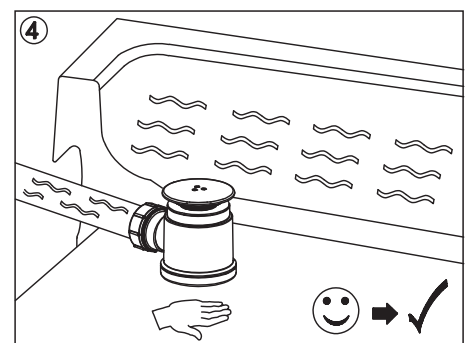
2. Screw 'C' into the waste 'E' ensuring a water tight fit.



3. Install 'B' ensuring the cup slides down into the grooves of 'E'.



4. Check for leaks and apply for plumber's putty or silicone sealant if necessary.



In use, should you notice the water drain time to increase- please remove cover "A" and remove any hair that may be blocking drainage.

## Maintenance and Cleaning

Use only soap and water detergents to clean when required. Do not use organic solvents or abrasive cleaners