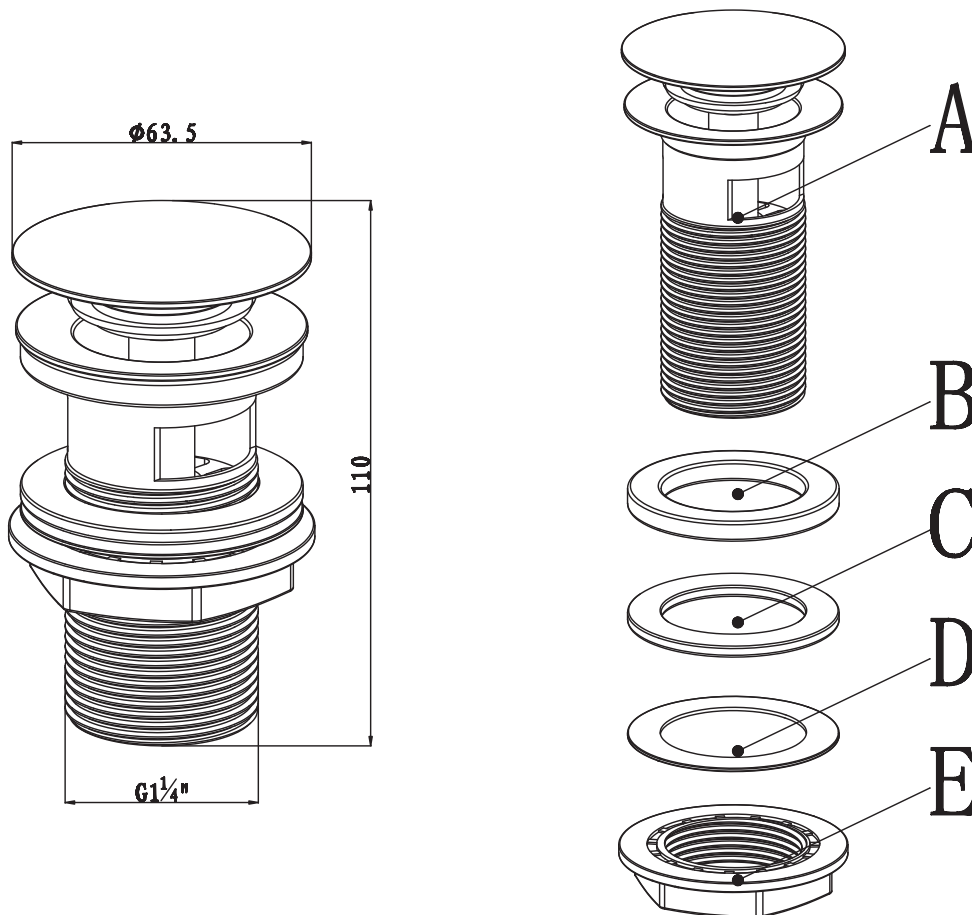


Fitting & Care Instructions - Spring Plug Basin Waste 1 1/4"

IMPORTANT NOTES

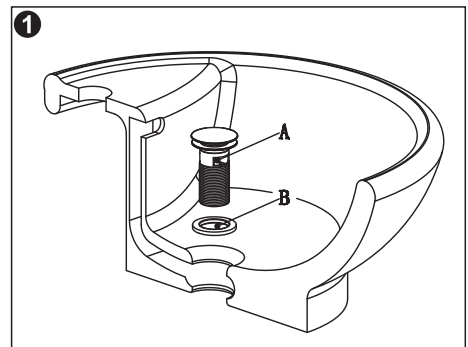
- Please ensure installation is undertaken by an experienced Plumber, as to ensure compliance with all Council and Local Authority requirements
- Please wear appropriate PPE
- It is the responsibility of the person who installs the waste to ensure that the installation is watertight
- We have taken great care to ensure that this product reaches you in perfect condition. However should any parts be damaged or missing please contact your point of purchase. This does not affect your statutory rights. In addition if you require replacement parts your point of purchase will be happy to assist.



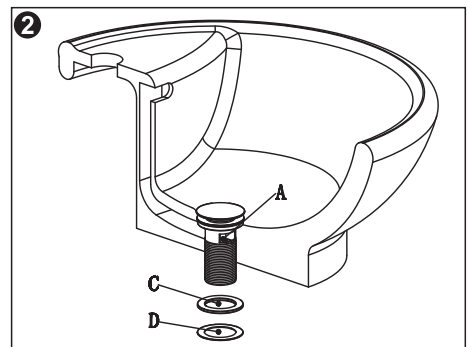
Installation Steps:

Disassemble the product according to the exploded diagram as above.

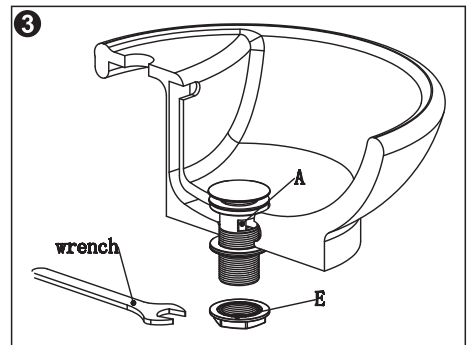
1. Assemble the fitting as per the picture 1 , ensuring the correct position washer "B".



2. Assemble the gasket as per the picture 2.



3. Then assemble using a wrench to tighten nut "E".



4. Check for leaks and apply for plumber's putty or silicone sealant if necessary.

