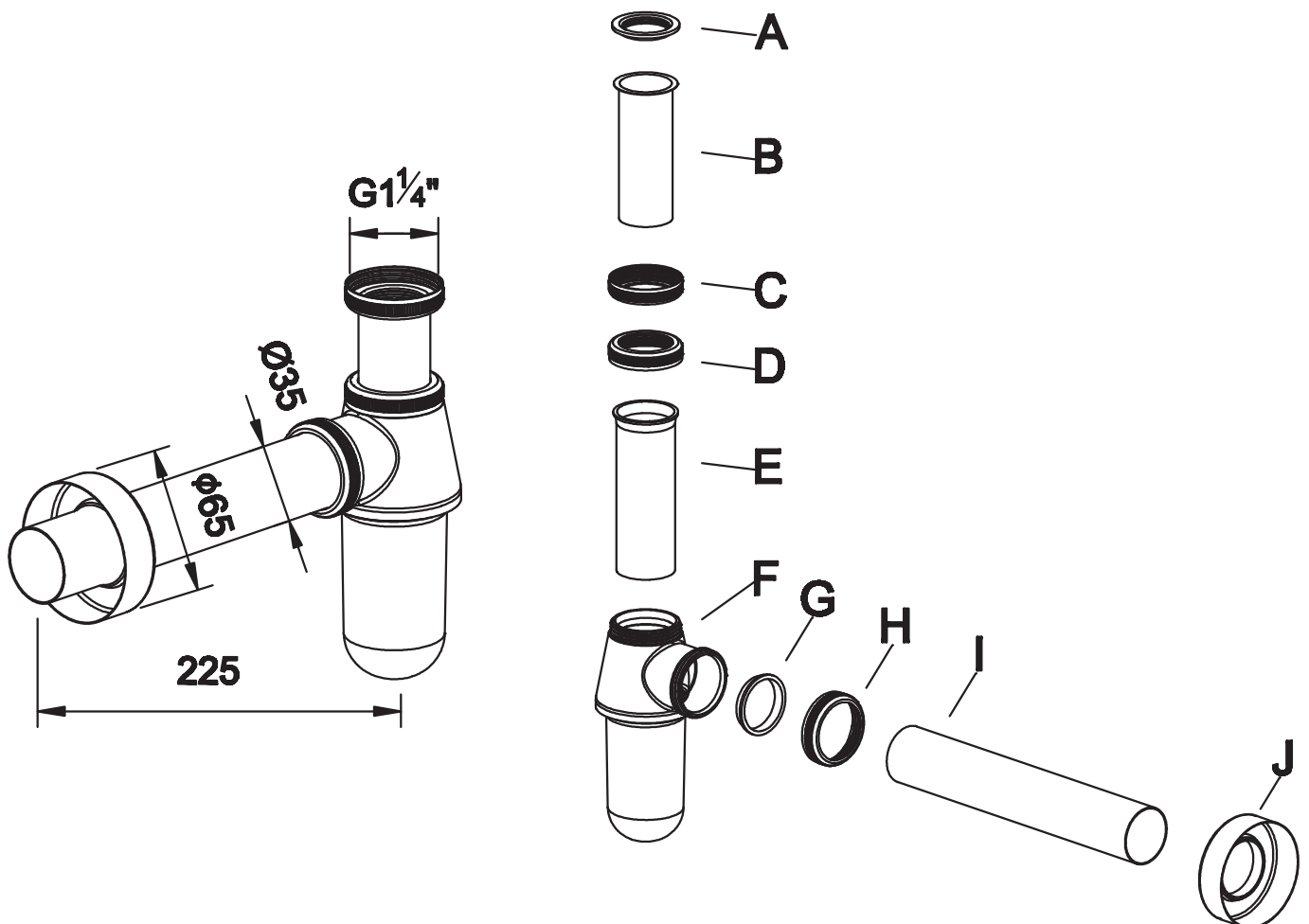


Fitting & Care Instructions - Bottle Trap 1 1/4"x35mm CP

IMPORTANT NOTES

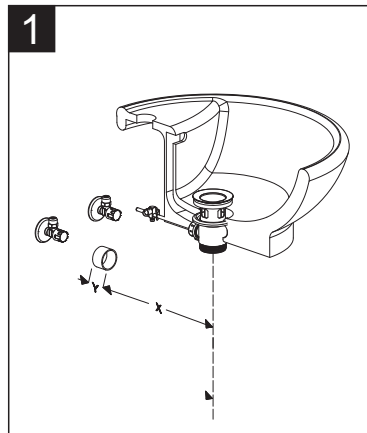
- Please ensure installation is undertaken by an experienced Plumber, as to ensure compliance with all Council and Local Authority requirements
- Please wear appropriate PPE
- It is the responsibility of the person who installs the waste to ensure that the installation is watertight
- We have taken great care to ensure that this product reaches you in perfect condition. However should any parts be damaged or missing please contact your point of purchase. This does not affect your statutory rights. In addition if you require replacement parts your point of purchase will be happy to assist.



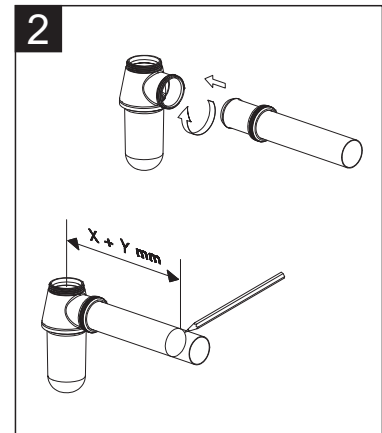
Installation Steps:

Disassemble the product according to the exploded diagram as above.

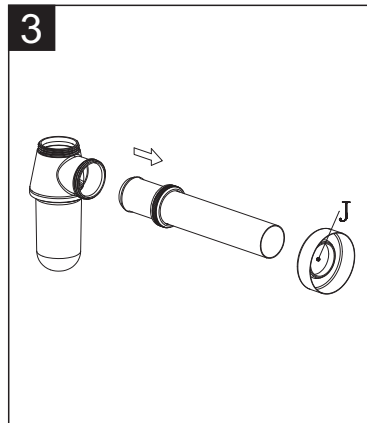
1. Measure the distance from tube to the mid of waste.



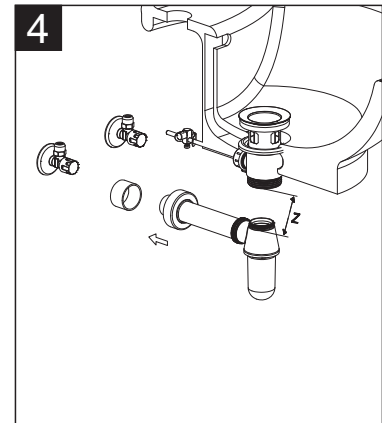
2. Then check and adjust the same distance.



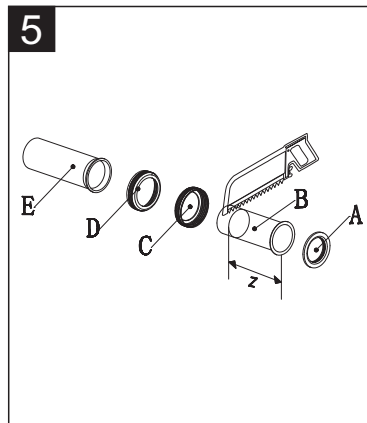
3. Assemble the rosette onto the tube directly.



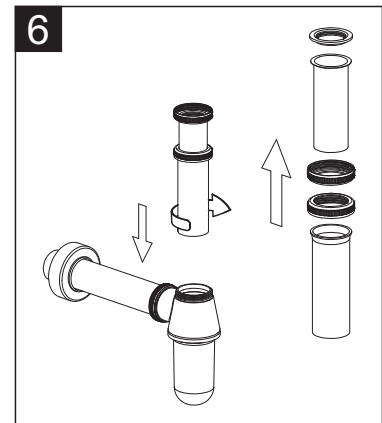
4. Then measure "Z" as per the picture 4.



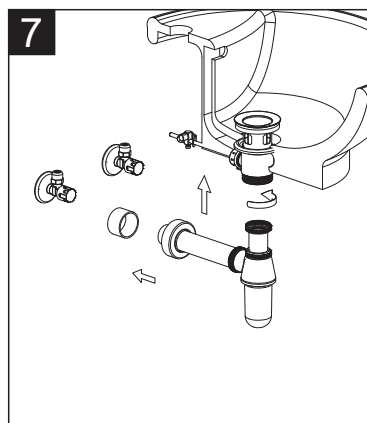
5. Adjust the same distance for part B.



6. And assemble the inlet tube as per the picture 6.



7. Finally turn the product onto the basin waste and finish installation.



8. Check for leaks.

