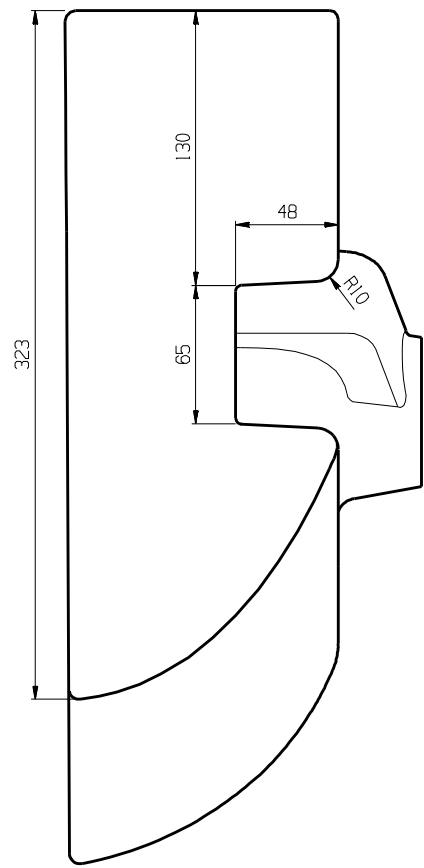
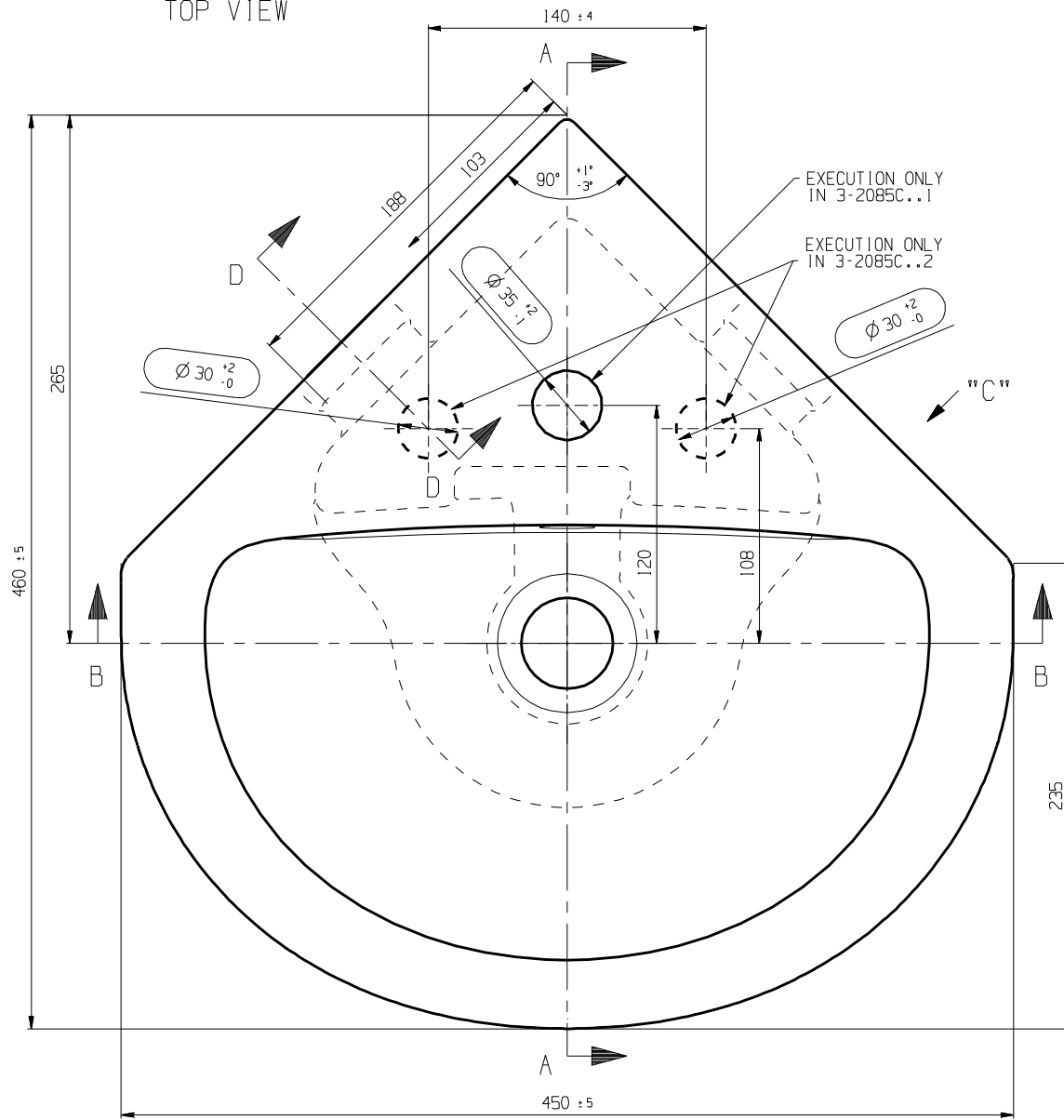


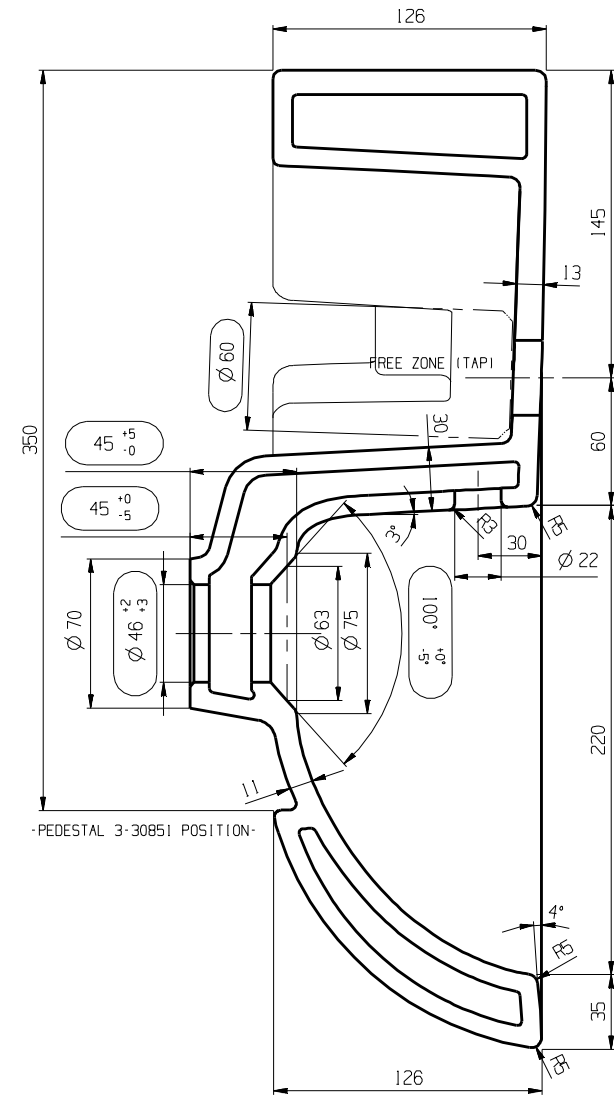
VIEW "C"



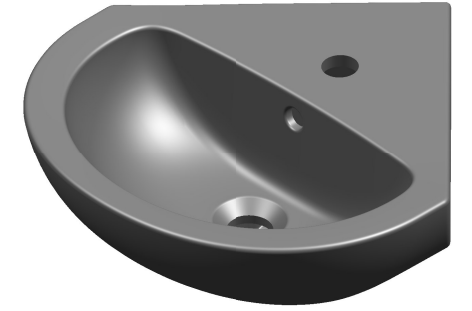
TOP VIEW



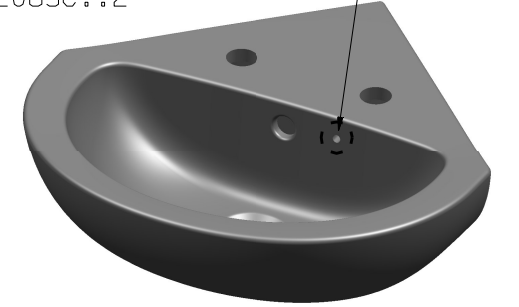
SECTION A-A



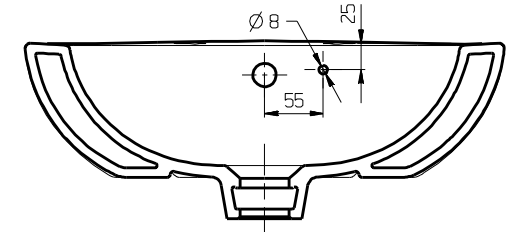
3-2085C..1



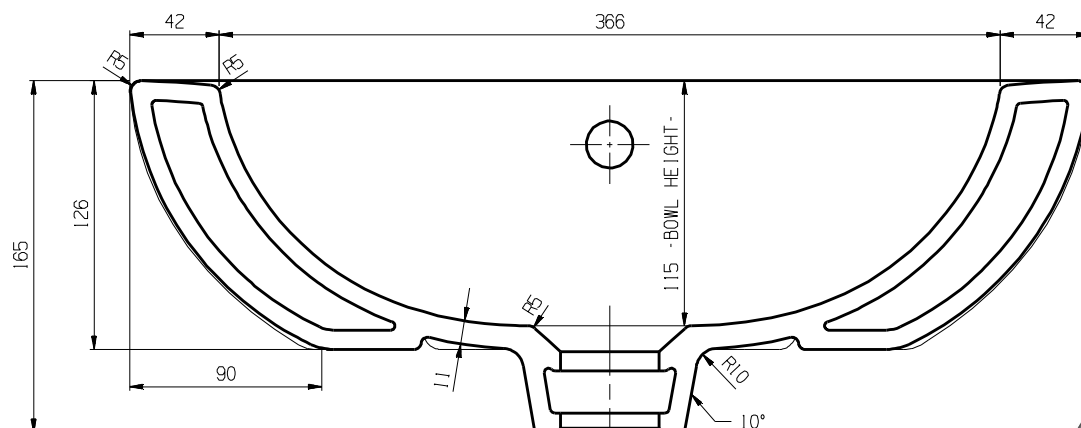
3-2085C..2



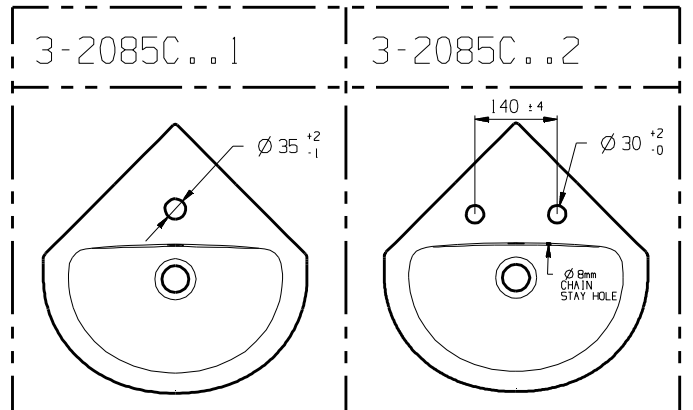
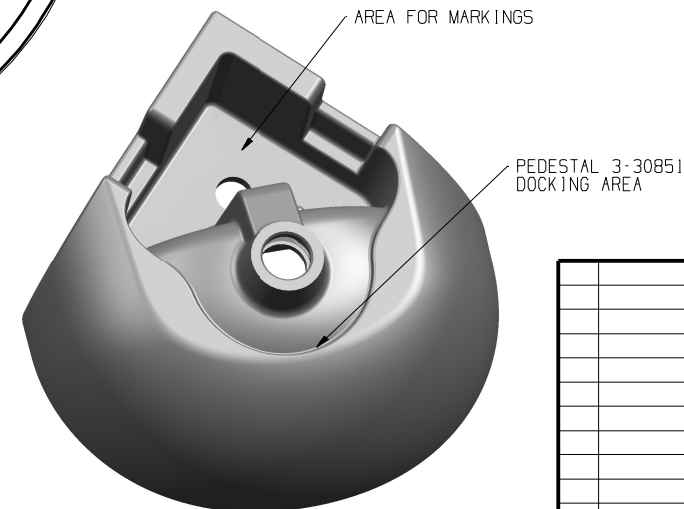
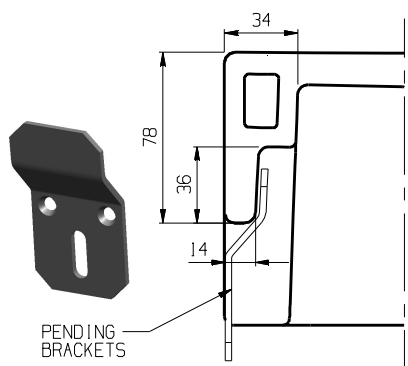
DETAIL OF CHAIN STAY HOLE POSITION



SECTION B-B



SECTION D-D



MARK	STANDARD	CHARACTERISTIC	HEIGHT
(*) 2085C YY Z-W	NCRR 430-7	LOW RELIEF	12 mm
EN 14688	.....	LOW RELIEF	~ 8 mm
CASTING DATE AND OPERATOR	.....	LOW RELIEF	.....

(\*) DURING PROTOTYPE STAGE, MARK MOULD NUMBER "0"

V.B.		MATERIAL: PORCELANA	
E. Hernandez		File MOD: 3-2085C_M00 File 30: 3-2085C_30 File 20: 3-2085C..20	
TOLERANCIA			
Fecha	Nombre	3-2085C..1 / 3-2085C..2	ESCALA
Proj.		WB WH 45 CORNER	
Dibuj.	15-05-11	N. Sales	CASCADA
Comp.		E. Hernandez	
Q		EMISION	15-05-11 N. Sales
Edi- cion		MODIFICACION	FECHA NOM. V.B.
Roca		DD 3-2085Cα	
SUSTITUYE A:		DDS	