

02TUL411411DP-V5-PEFC  
02POP411411DP-V5-PEFC



**WARNING: Only for domestic use**  
**Not suitable for children under 36 months due to small parts and danger of falling from heights.**  
**To be used under direct supervision of an adult**



Poppy Playhouse/Tulip Playhouse



## WARNING

- ONLY SUITABLE FOR DOMESTIC USE.
- TO BE USED UNDER DIRECT SUPERVISION OF AN ADULT.
- THIS PRODUCT SHOULD NOT BE MODIFIED IN ANY WAY. ANY MODIFICATIONS SHOULD BE DETERMINED BY THE MANUFACTURER AND CARRIED OUT ACCORDING TO THE INSTRUCTIONS.
- DO NOT ALLOW YOUR CHILD TO PLAY WITH ANY COMPONENT PARTS PRIOR TO ASSEMBLY.
- MAX AGE OF 14 YEARS.
- THIS TOY IS FOR OUTDOOR USE ONLY.
- USE A WATER BASED TREATMENT THAT IS EN71 TESTED



## CAUTION

Wood is a natural product and can change post manufacture. So despite every effort being made to ensure the material used are cut and machined to a clean and smooth finish, care must be taken when handling the product and preparing for use by your child.

Any areas of concern, in the play areas, can be rubbed over with sandpaper to achieve a smoother finish. Alternatively, call the customer service department who will be happy to arrange replacement panels/parts.



All buildings should be erected by at least two adults.

**DO NOT ALLOW CHILDREN TO ASSIST.**



Winter = High Moisture = Expansion  
Summer = Low Moisture = Contraction



2mm Drill bit  
12mm CSK

To prevent damage during assembly, you **MUST** pilot drill all screw holes and **ensure all screw heads are countersunk.**



For ease of assembly, you will need a tape measure to check dimensions of components.

*Whilst all products manufactured are made to the highest standards of Safety and in the case of childrens products independently tested to EN71, we cannot accept responsibility for your safety whilst erecting this product.*

## \*\*Protim Aquatan T

Your building has been treated with **Aquatan**.

Aquatan is a water-based concentrate which is diluted with water, the building as been treated by the correct application of Aquatan solution and then allowed to dry.

Aquatan is a decorative finish to colour the wood, which is applied industrially to timber fence panels and garden buildings.

**Aquatan undiluted contains:** boric acid, sodium hydroxide 32% solution, aqueous mixture of sodium dioctyl sulphosuccinat and alcohols: 2, 4, 6-trichlorophenol.

**In all instances for assistance with your product, please contact customer care on :  
01636 880514 or customerservice@merciagp.co.uk**

**Mercia Garden Products Limited,  
Sutton On Trent,  
Newark,  
Nottinghamshire,  
NG23 6QN**



## BEFORE YOU START PLEASE THE READ INSTRUCTIONS CAREFULLY

- Check the pack and make sure you have all the parts listed in the parts list provided.
- When you are ready to start, make sure you have the right tools at hand (not supplied) including a Phillips screwdriver, Flathead screwdriver, Stanley knife, Wood saw, Step ladder, Hammer, Spirit level and a Drill with 2mm bit.
- Ensure there is plenty of space and a clean dry area for assembly.
- Ensure you have enough time to build the product to ensure the building is water tight.

## TIMBER

As with all natural materials, timber can be affected during various weather conditions. For the duration of heavy or extended periods of rain, swelling of the wood panels may occur. Warping of the wood may also occur during excessive dry spells due natural processes. Unfortunately, these processes cannot be avoided but can be helped. It is suggested that the outdoor building is sprayed with water during extended periods of hot weather and sheltered as much as possible during rain or snow.

Our buildings are pre treated with a water based treatment\*\*, this only helps to prevent discolouration whilst in stock. To validate your guarantee and ensure longevity of the product, it is ESSENTIAL the building is treated with a suitable preservative in accordance with the manufacturers recommendations. Care must be taken to ensure the product is placed on a suitable base.

We recommended using a suitable protection for your playhouse. As the product is destined for use by children, a water based treatment that is **EN71 tested** for children is ESSENTIAL.

We also recommend treating the building prior to construction.

## POSITIONING YOUR PLAYHOUSE

When thinking about where the building and base is going to be constructed:  
Ensure that there will be access to all sides for maintenance work and annual treatment.

We recommend a **minimum space of 2m around a playhouse**, away from any structure or obstructions such as fences, garages, houses, overhanging branches, washing lines or electrical wires.

It is recommended that the position of the Playhouse, Slide and Swing is **not in direct sunlight**.

**Activity toys such as swings and slides for towers shall not be installed over concrete, asphalt or any hard surface.**

## BUILDING A BASE

Ensure the base is level and is built on firm ground, to prevent distortion, checking with a spirit level. Refer to diagrams for the base dimensions. The base should be slightly smaller than the external measurement of the building, i.e. The cladding should overlap the base, creating a run off for water. It is also recommended that the floor be at least 25mm above the surrounding ground level to avoid flooding.

## TYPES OF BASE

- Concrete 75mm laid on top of 75mm hard-core.
- Slabs laid on 50mm of sharp sand.
- Wooden base.

# 02POP411411DP-V5-PEFC & 02TUL411411DP-V5-PEFC

Please retain product label and instructions for future reference

Look for the symbols and follow the safety guidelines below.



Ensure screw heads are subflush and sand down any splinters created.



Ensure the screws are fixed squarely and do not protrude.



12mm gap surrounding the door.



50kg per user

### Overall Dimensions:

Width = 1544mm  
Depth = 1844mm  
Height = 1534mm

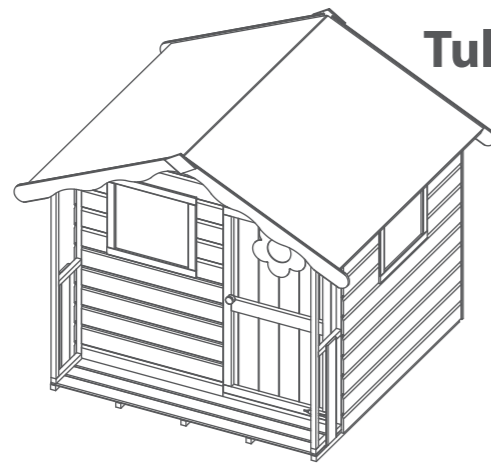
### Base Dimensions:

Width = 1512mm  
Depth = 1490mm

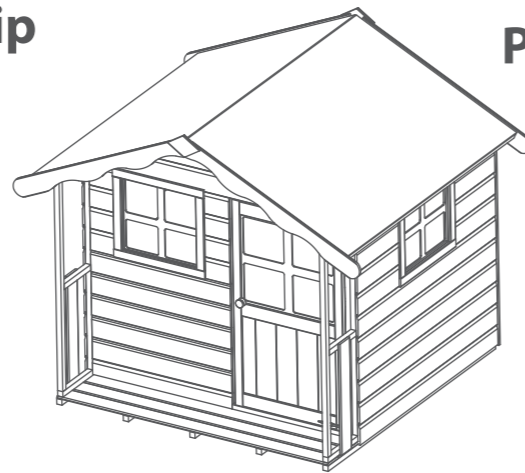
Before assembly please make sure you have a suitable base ready to erect your building



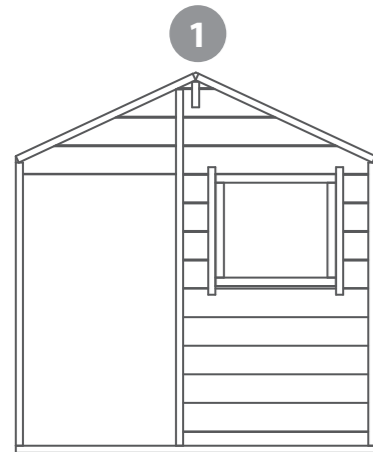
MADE IN GREAT BRITAIN



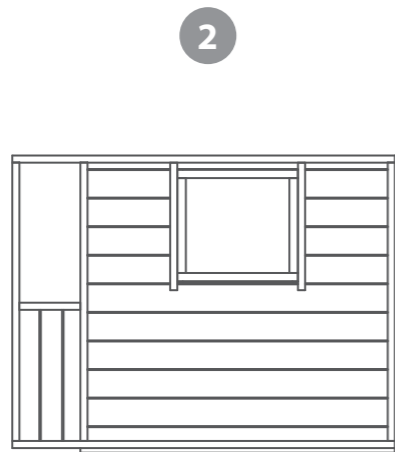
**Tulip**



**Poppy**



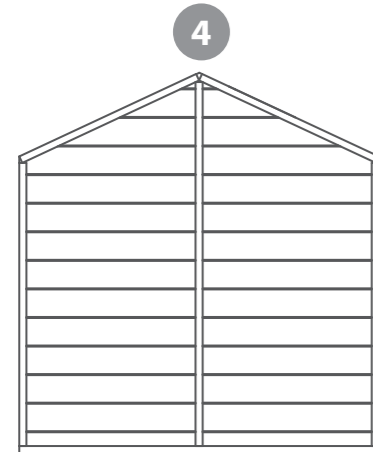
**Door Gable**  
AI-02PAPDG1410X1491-V2



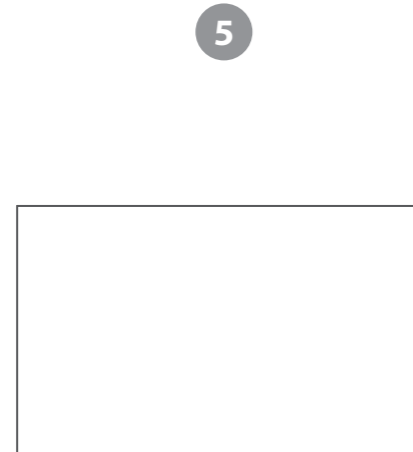
**Left Window Side**  
AI-02PAPWSL1500X1165-V2



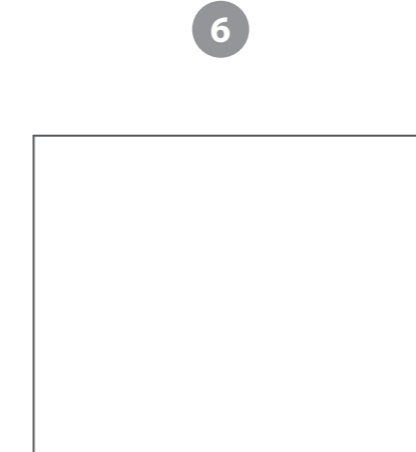
**Right Window Side**  
AI-02PAPWSR1500X1165-V2



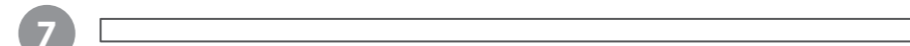
**Plain Gable**  
AI-02PAPPG1410X1509-V2



**Roof OSB**  
PI-03-0086  
QTY x2



**Floor OSB**  
PI-03-0009



**Floor Joist - 28x28x1500mm** FS2828-1500 QTY x5



**Veranda Boards - 12x95x1470mm** SR1295-1470 QTY x3



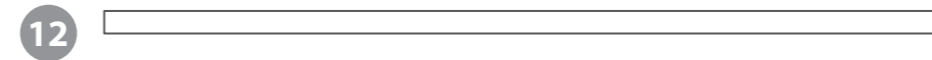
**Ridge Bar - 28x28x1155mm** FS2828-1155



**Cover Trims - 12x45x1155mm** S1245-1155 QTY x2



**Fascia Board - 12x95x980mm** FAS1219-980 QTY x4



**Roof Eave - 28x28x1520mm** FS2828-1520 QTY x2



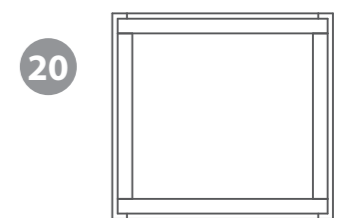
**Fascia Block - 28x28x340mm** FS2828-G-380



**Wooden Door Handle**  
PI-04-0024



**Ply Door Stop**  
PLY TRIANGLE



**Window**  
AI-02PHOW-V1  
QTY x3



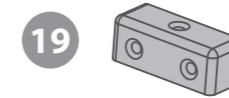
**L Bracket**  
PI-07-0012  
QTY x2



**T-hinge**  
PI-07-0113  
QTY x2



**Finial** QTY x2  
SHED DIAMOND FINIAL

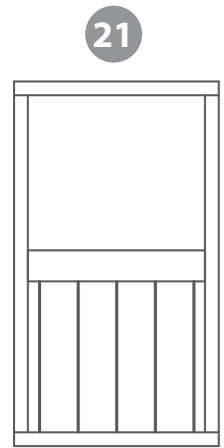


**Window Block**  
PI-07-0011  
QTY x6

### Nail Bag

- Felt Tacks x60**
- 16mm Screw x3**
- 20mm Screw x15**
- 30mm Screw x91**
- 30mm Black Screw x 14**
- 40mm Screw x36**
- 50mm Screw x32**

## Poppy Playhouse Door and Window Pack

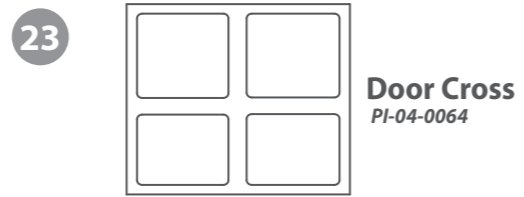


**Door**

AI-02POPDOORS594X1058-V2



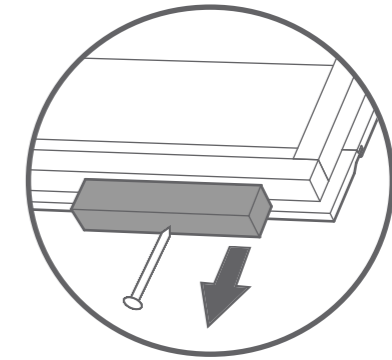
**Window Cross**  
PI-04-0013  
QTY x3



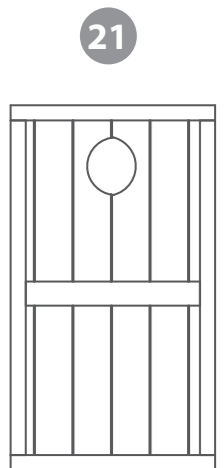
**Door Cross**  
PI-04-0064

### Pre Assembly

Before assembling remove the transportation blocks from the bottom of each panel.



## Tulip Playhouse Door and Window Pack



**Door**

AI-02TUL411411-V3D



**Window Cross**  
PI-04-0013  
QTY x3



**Door Flower**  
PI-04-0016



**Door Styrene**  
PI-05-0014

DO NOT ALLOW YOUR CHILD TO PLAY WITH ANY COMPONENT PARTS PRIOR TO ASSEMBLY.

**Step 1**  
Parts needed - 19 & 20

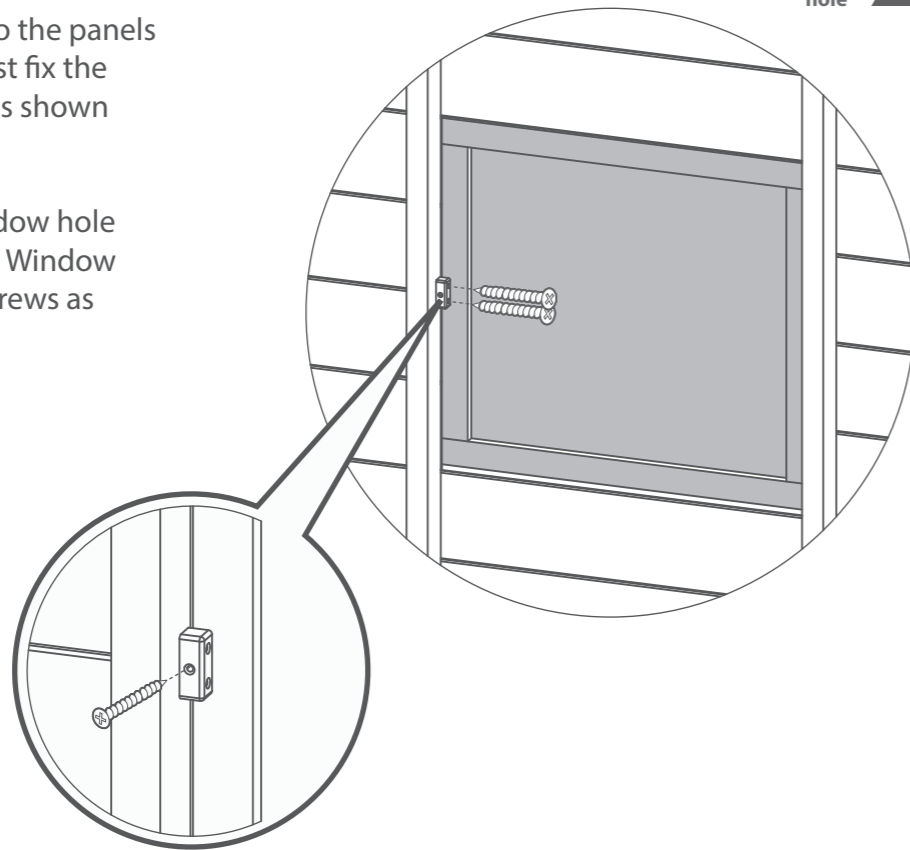
To fix the Windows (No. 20) into the panels that accommodate a window. First fix the Window Block to the Window as shown with 1x30mm screw.

Place the Window into the window hole and fix by screwing through the Window Block (No. 19) with 2x30mm screws as shown.

**Screw into the Window first.**

18x30mm screws.

30mm screw



**Step 3**  
Parts needed - 2 & 4

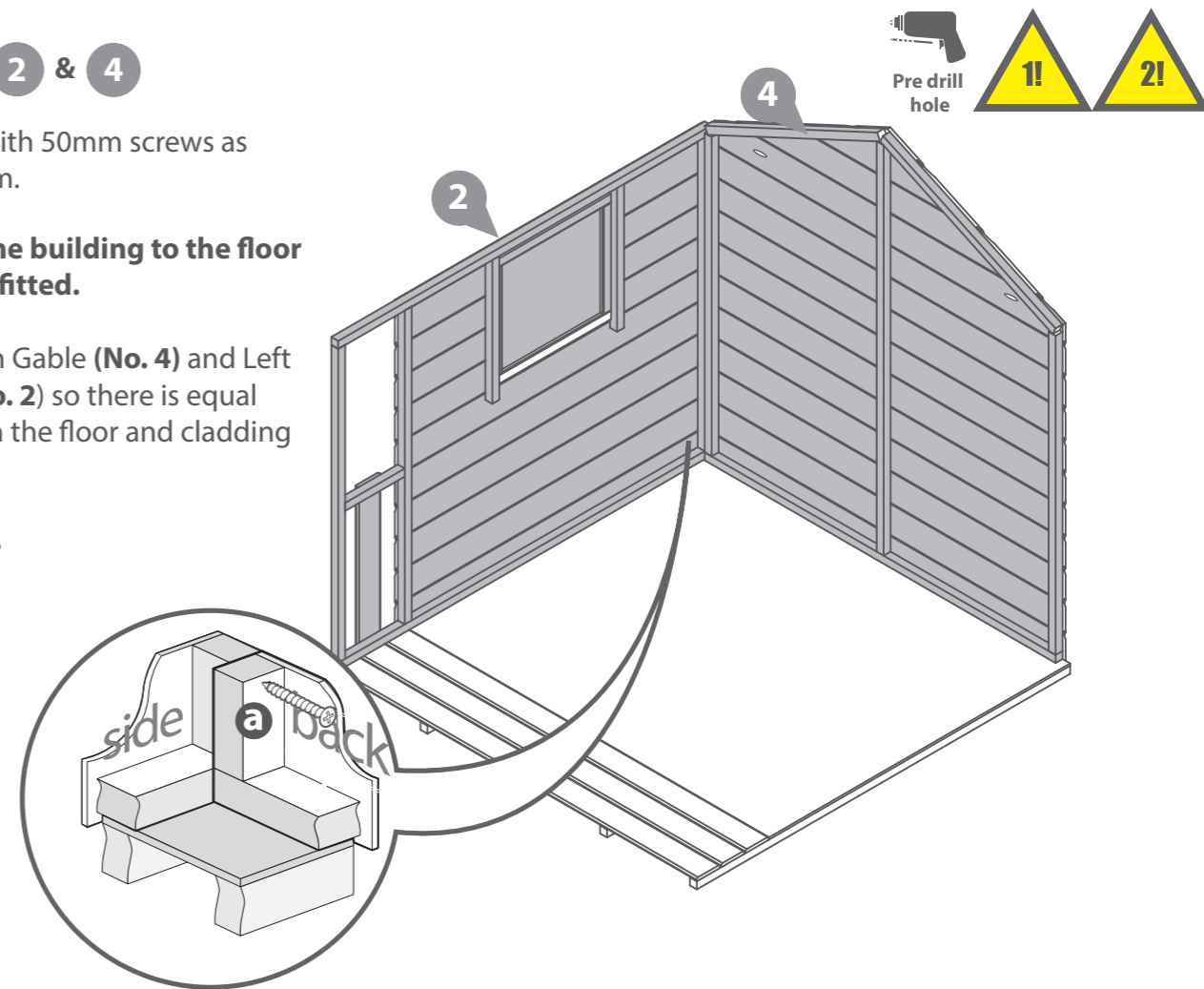
Fix the corners with 50mm screws as shown in diagram.

**Do not secure the building to the floor until the roof is fitted.**

Position the Plain Gable (No. 4) and Left Window Side (No. 2) so there is equal spacing between the floor and cladding on all 4 sides.

3x50mm screws

50mm screw



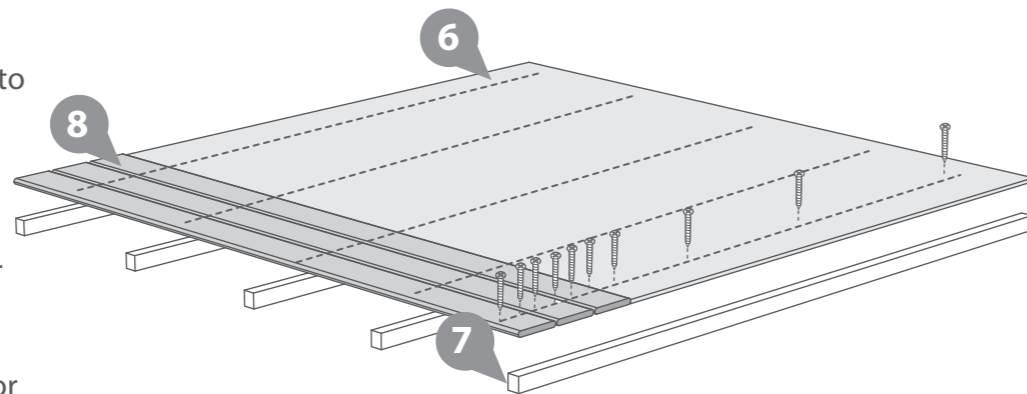
**Step 2**  
Parts needed - 6 & 7 & 8

Lay the Floor Joists (No. 7) under the floor OSB with an even space between each one. Position joists flush on one side of the Floor OSB (No. 6) and mark centers of joists onto either end. Fix using 4 x 30mm screws per joist.

Place the Veranda Boards (No. 8) along the joists and against the floor sheet. Spread them evenly making sure the end board is flush with the framing. Fix using 2 x 30mm screw for each board along the dotted lines shown on the illustration.

50x30mm screws

30mm screw



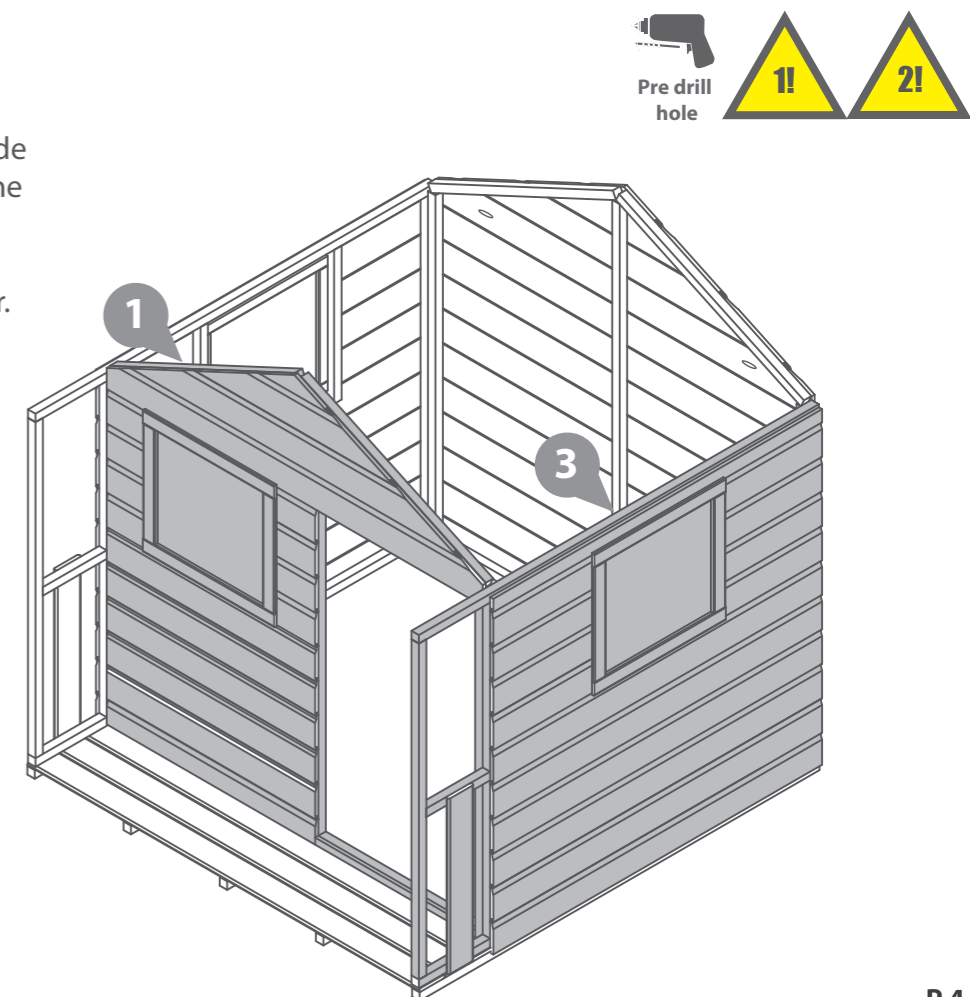
**Step 4**  
Parts needed - 1 & 3

Attach the remaining Right Window Side (No. 3) and Door Gable (No. 1) using the same method as shown previously.

Fix with 3x50mm screws at each corner.

9x50mm screws

50mm screw



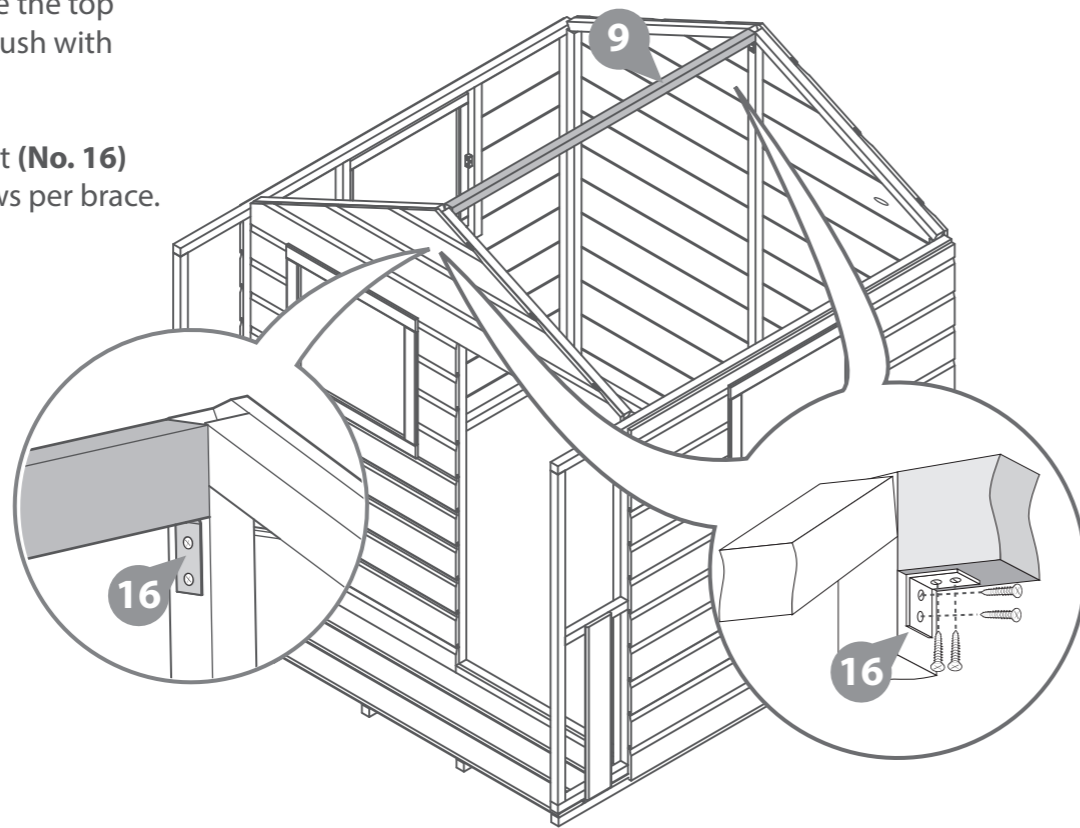
**DO NOT ALLOW YOUR CHILD TO PLAY WITH ANY COMPONENT PARTS PRIOR TO ASSEMBLY.**

**Step 5**  
Parts needed - 9 & 16

Place the Ridge Bar (No. 9) in between the door and plain gable. Ensure the top corners of the support bar are flush with each top point (see illustration).

Secure in place using a L bracket (No. 16) on each end and 4x30mm screws per brace.

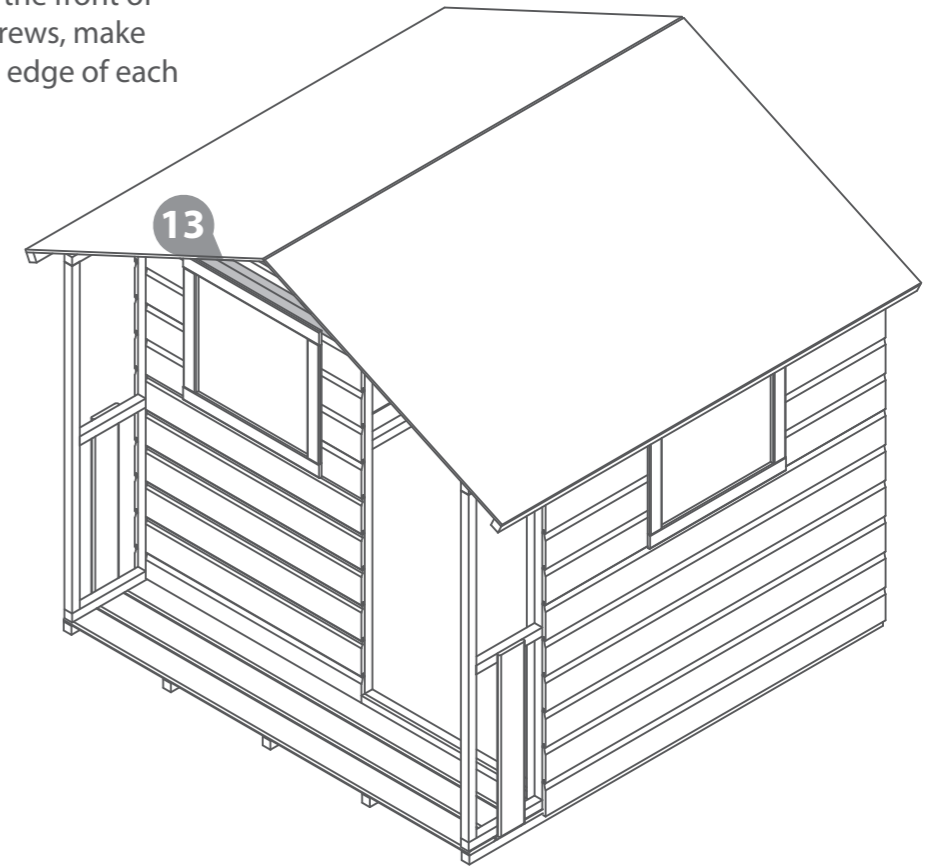
8x30mm screws



**Step 7**  
Parts needed - 13

Fit the Fascia Block (No. 13) to the front of the building using 4x30mm screws, make sure it is flush with the outside edge of each roof sheet.

4x30mm screws

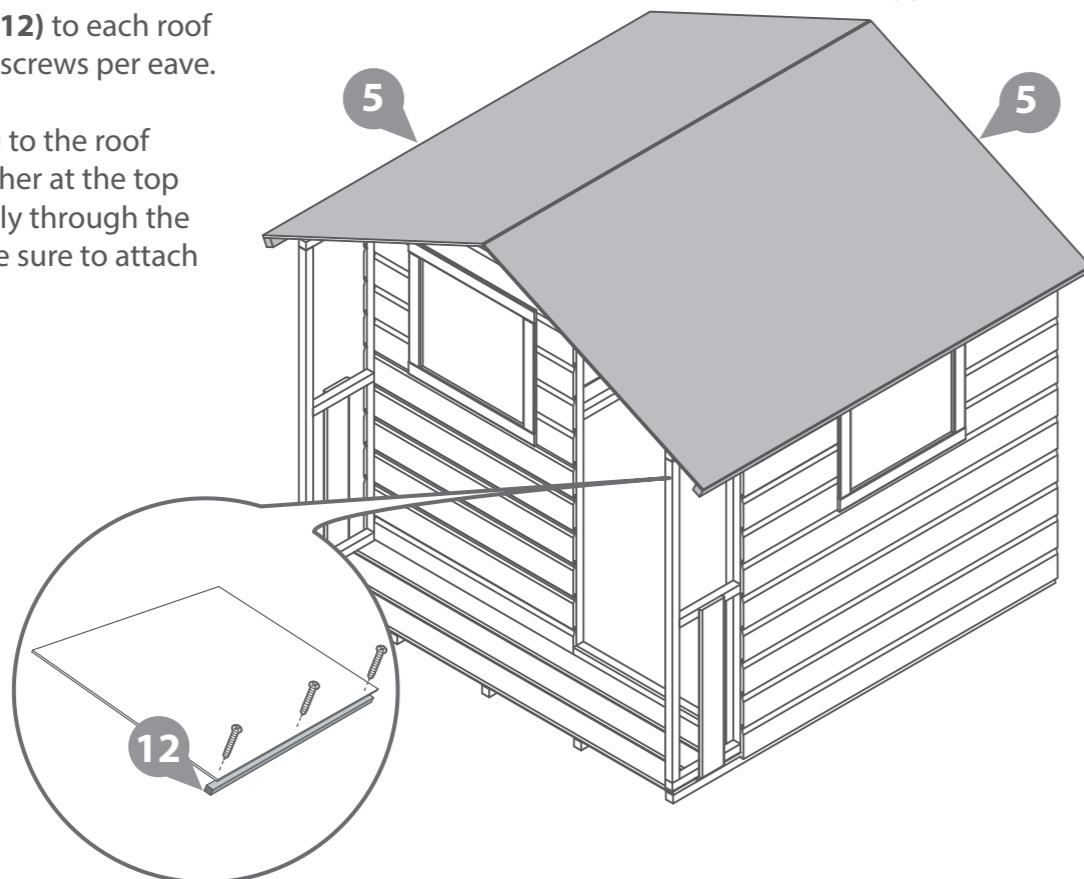


**Step 6**  
Parts needed - 5 & 12

Fix two eaves frames (No. 12) to each roof OSB sheet using 3x30mm screws per eave.

Fix the Roof sheets (No. 5) to the roof ensuring they come together at the top using 40mm screws directly through the roof sheet at the top. Make sure to attach the roofs to the ridge bar.

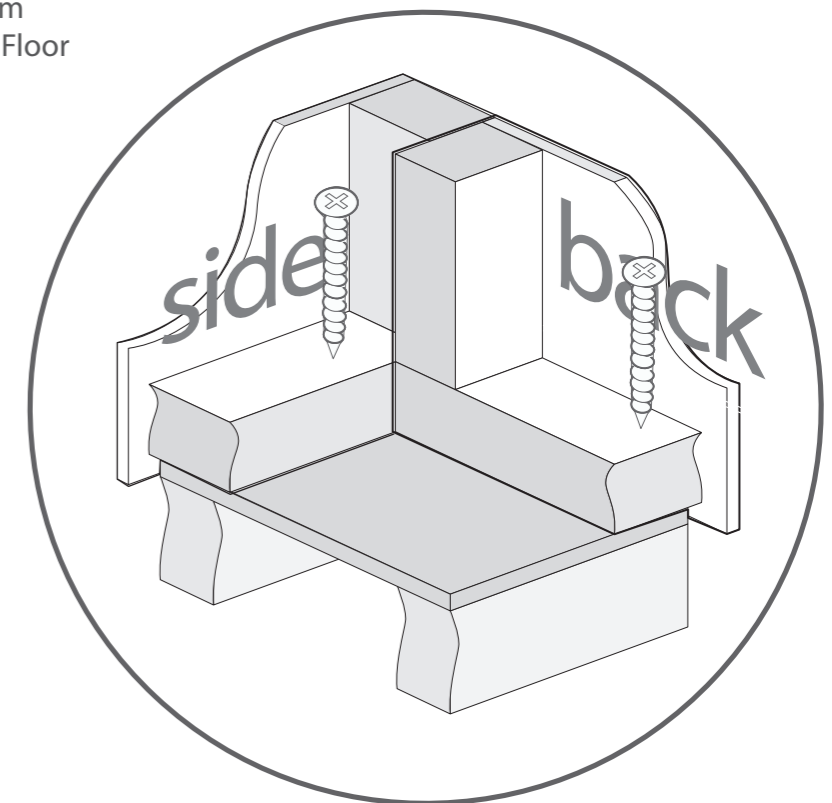
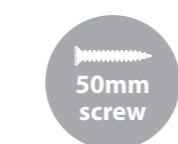
6x30mm screws  
24x40mm screws



**Step 8**  
Parts needed - 5 & 6

Once the roof (No.5) is fixed attach the building to the floor (No.6) with 50 mm screws making sure to screw into the Floor bearers.

20x50mm screws

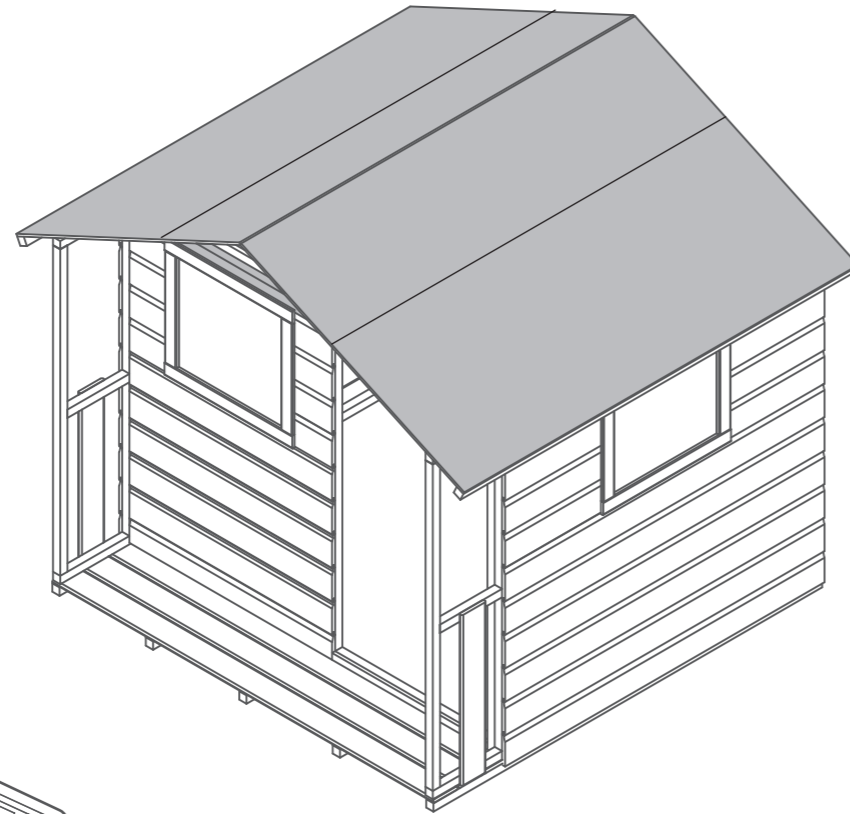
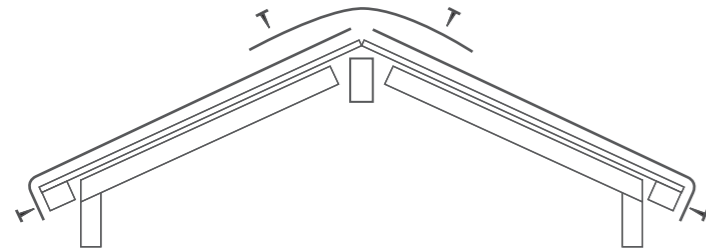
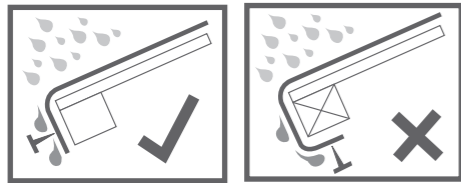


**Step 9**

Cut the Felt into 3 sheets and lay onto roof as shown in diagram ensuring there is a 50mm overhang around the sides.

Fix using felt tacks at 100mm intervals.

**60x Felt Tacks**



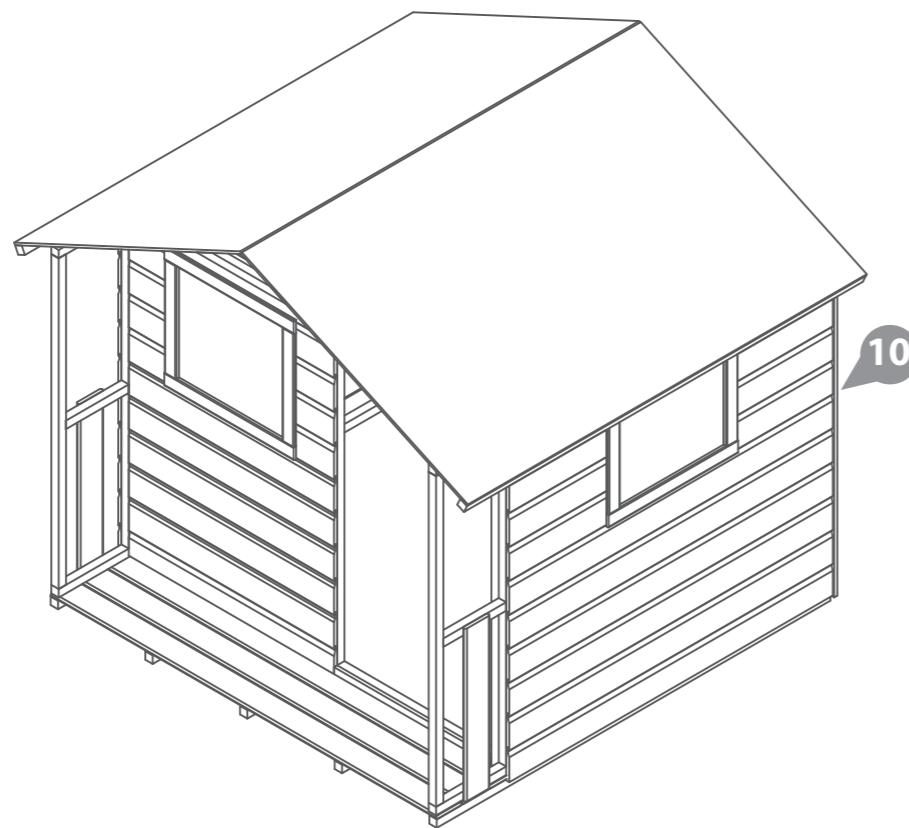
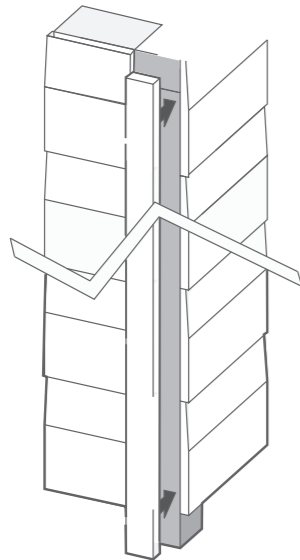
**Step 10**

**Parts needed - 10**

At the back of the building, fix the two Cover Trims (No. 10) to either end of the side panels.

Use 3x30mm screws per trim.

**6x30mm screws**



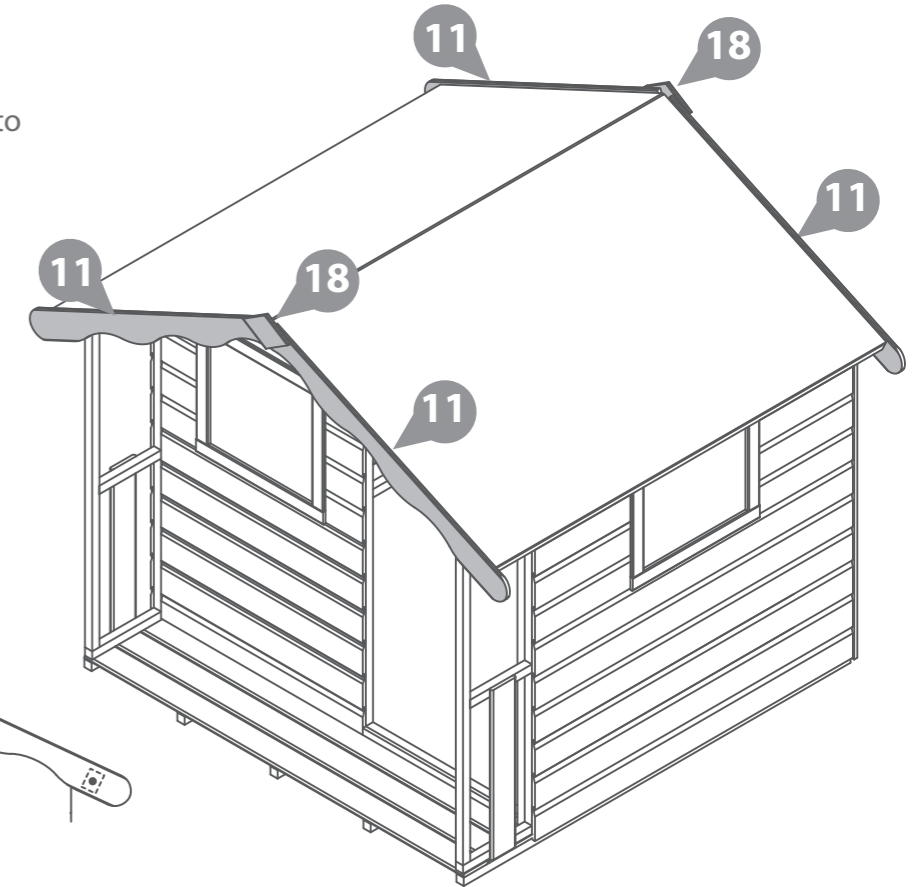
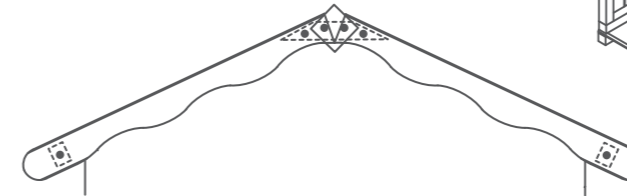
**Step 11**

**Parts needed - 11 & 18**

Fix Fascias (No. 11) and Finials (No. 18) using 40mm screws.

Pre drill holes to avoid splitting. Ensure to trap the felt between the fascia and building.

**12x40mm screws**



**Step 12**

**Parts needed - 22**

Place a Window Cross (No. 22) against the inside of each window. Position the frame centrally to the window and fix using 4x20mm screws per frame.

**12x20mm screws.**



# Poppy Playhouse Door Instructions



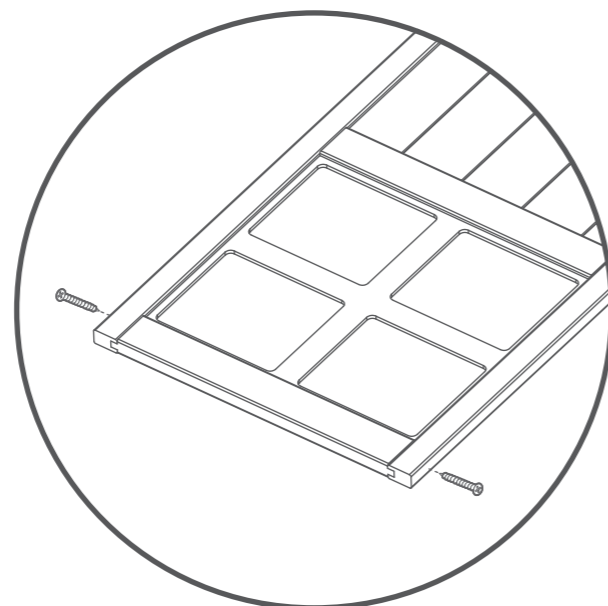
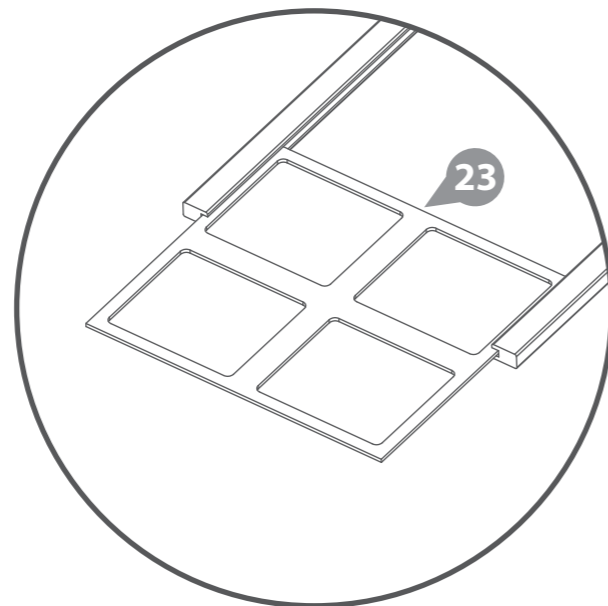
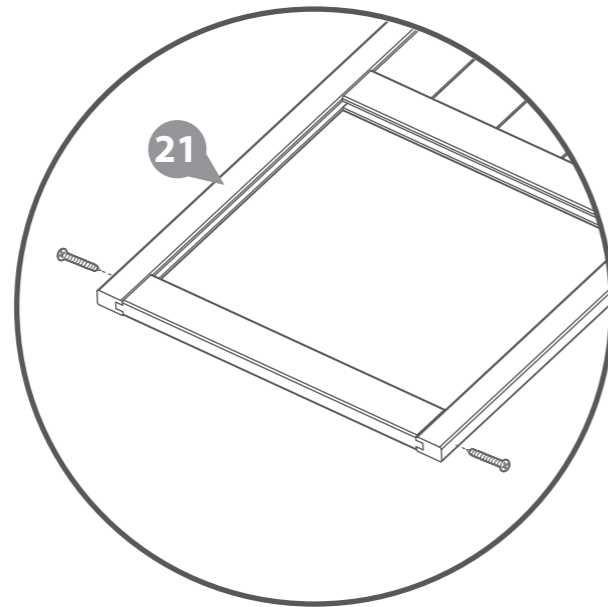
## Step 13 Parts needed - 21 & 23

Remove the top rail of the door (**No. 21**) by unscrewing the two screws, one on each side of the door. Keeping the screws to one side.

With the top rail of the door removed peel off the film from both sides of the styrene.

Slide the door cross (**No. 23**) into the door channel along side the styrene.

Place the door top rail back on top of the door, fix back in place using the screws removed.

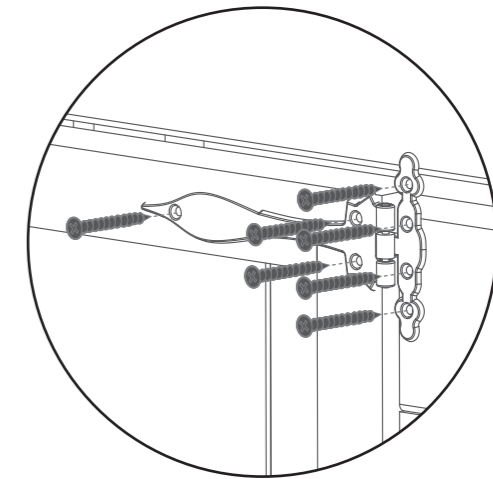
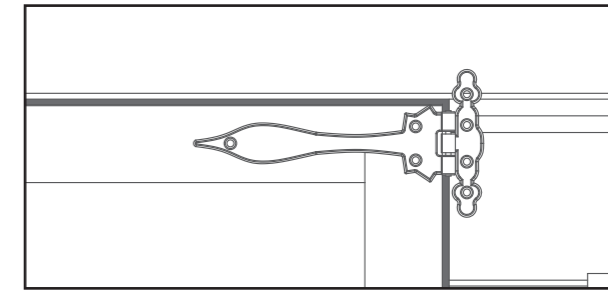
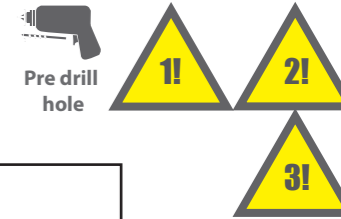
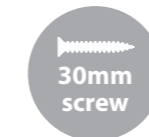


## Step 14 Parts needed - 17 & 21

Position the door centrally to the door (**No. 21**) aperture ensuring any gap is equal on both sides.

Once you are happy the door is in the correct position place a Hinge (**No. 17**) at the top and bottom of the door, ensuring the screws will go into the framing (in cases where you have been supplied three hinges use the third in the middle of the door) and using 30mm black screws fix the hinge to the door and the door gable.

### 14x30mm Black screws

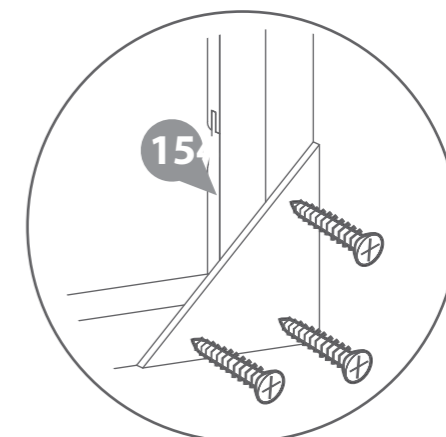
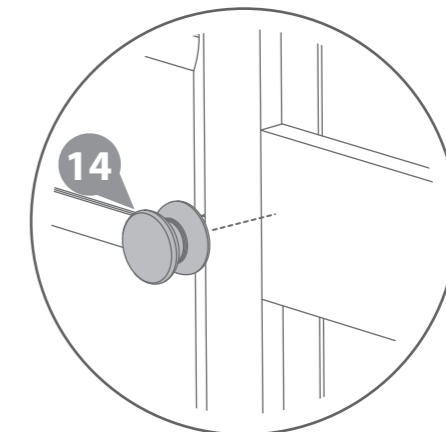


## Step 15 Parts needed - 14 & 15

Place the Wooden Door Handle (**No. 14**) on the outside of door and use a 60mm screw from the inside to secure. Pre drill hole first to avoid splitting.

On the inside of the door opening fix the Ply Door Stop (**No. 15**) to the bottom left corner using 3x20mm screws.

### 3x20mm screws.

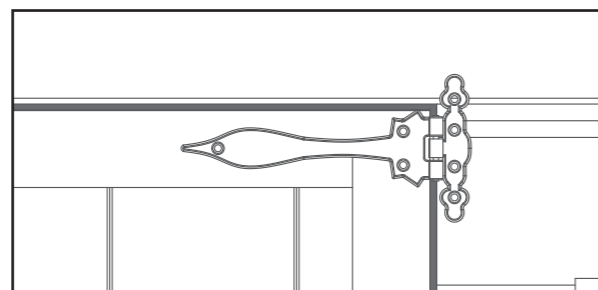


# Tulip Playhouse Door Instructions

## Step 13 Parts needed - 17 & 21

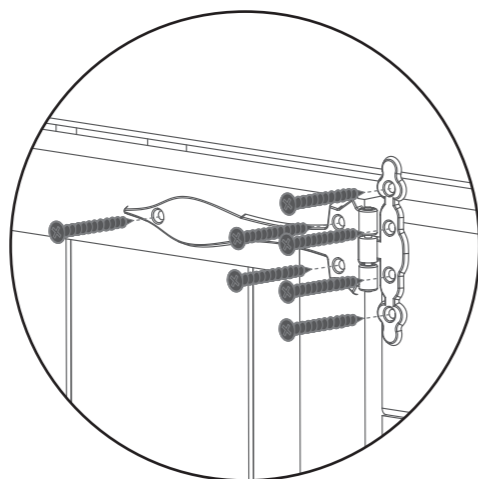
Position the door centrally to the Door (No. 21) aperture ensuring any gap is equal on both sides.

Once you are happy the door is in the correct position place a Hinge (No. 17) at the top and bottom of the door, ensuring the screws will go into the framing (in cases where you have been supplied three hinges use the third in the middle of the door) and using 30mm black screws fix the hinge to the door and the door gable.



### 14x30mm Black screws

30mm screw

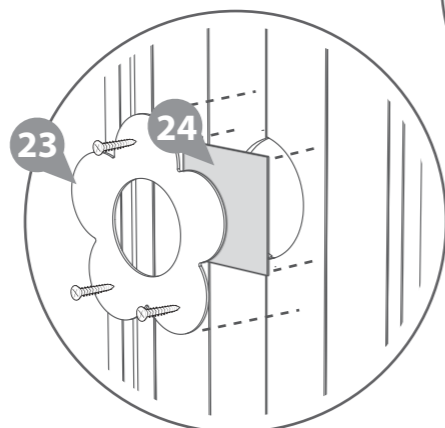
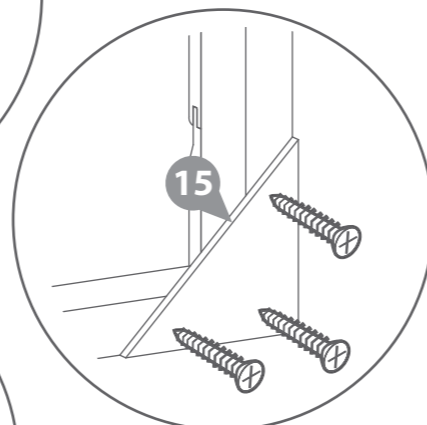
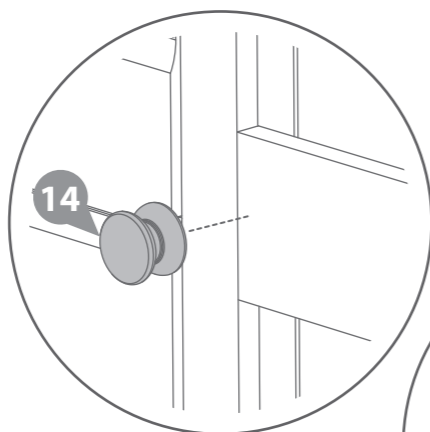


## Step 14 Parts needed - 14 & 15 & 23 & 24

Place the Wooden Door Handle (No. 14) on the outside of door and use a 60mm screw from the inside to secure. Pre drill hole first to avoid splitting.

On the inside of the door opening fix the Ply Door Stop (No. 15) to the bottom left corner using 3x20mm screws.

Sandwich the Door Styrene (No. 24) between the Door's hole and Door Flower (No. 23) then fix using 3 x 16mm screws. Ensure the glazing covers the cut out and the screws do not crack hit the glazing.



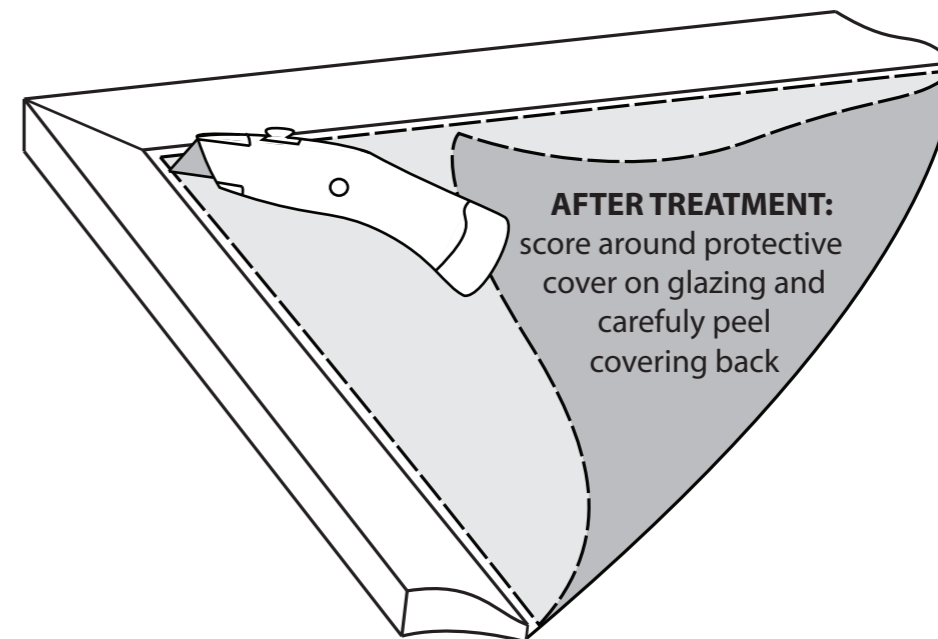
### 3x20mm screws 3x16mm screws

16mm screw

20mm screw



It is **ESSENTIAL** that you apply wood treatment immediately after the building has been assembled.



**AFTER TREATMENT:**  
score around protective cover on glazing and carefully peel covering back

### Playhouse Maintenance:

It is recommended that the following checks and maintenance are carried out at the beginning of each season as well as at regular intervals during the usage season.

- Check all nuts /bolts/ screws for tightness and tighten when required.
- Check for movement / opening of wood giving rise to protrusion of nail heads and tips.
- Check hinges.
- Replace defective parts in accordance with the manufacturers instructions.
- Check any crossbeams, suspensions and anchors.
- If a swing is included; check the swing seat, chains and ropes.

**IF THESE CHECKS ARE NOT CARRIED OUT THE ACTIVITY TOY COULD BECOME A HAZARD**