

**02SNO0705-V4-PEFC**  
**7x5 Snowdrop Playhouse**



**WARNING: Only for domestic use**  
**Not suitable for children under 36 months due to small parts and danger of falling from heights.**  
**To be used under direct supervision of an adult**



## BEFORE YOU START PLEASE THE READ INSTRUCTIONS CAREFULLY

- Check the pack and make sure you have all the parts listed in the parts list provided.
- When you are ready to start, make sure you have the right tools at hand (not supplied) including a Phillips screwdriver, Flathead screwdriver, Stanley knife, Wood saw, Step ladder, Hammer, Spirit level and a Drill with 2mm bit.
- Ensure there is plenty of space and a clean dry area for assembly.
- Ensure you have enough time to build the product to ensure the building is water tight.

## TIMBER

As with all natural materials, timber can be affected during various weather conditions. For the duration of heavy or extended periods of rain, swelling of the wood panels may occur. Warping of the wood may also occur during excessive dry spells due natural processes. Unfortunately, these processes cannot be avoided but can be helped. It is suggested that the outdoor building is sprayed with water during extended periods of hot weather and sheltered as much as possible during rain or snow.

Our buildings are pre treated with a water based treatment\*\*; this only helps to prevent discolouration whilst in stock. To validate your guarantee and ensure longevity of the product, it is ESSENTIAL the building is treated with a suitable preservative in accordance with the manufacturers recommendations. Care must be taken to ensure the product is placed on a suitable base. We recommended using a suitable protection for your playhouse. As the product is destined for use by children, a water based treatment that is **EN71 tested** for children is ESSENTIAL.

We also recommend treating the building prior to construction.

## POSITIONING YOUR PLAYHOUSE

When thinking about where the building and base is going to be constructed: Ensure that there will be access to all sides for maintenance work and annual treatment.

We recommend a **minimum space of 2m around a playhouse**, away from any structure or obstructions such as fences, garages, houses, overhanging branches, washing lines or electrical wires.

It is recommended that the position of the Playhouse, Slide and Swing is **not in direct sunlight**.

**Activity toys such as swings and slides for towers shall not be installed over concrete, asphalt or any hard surface.**

## BUILDING A BASE

Ensure the base is level and is built on firm ground, to prevent distortion, checking with a spirit level. Refer to diagrams for the base dimensions. The base should be slightly smaller than the external measurement of the building, i.e. The cladding should overlap the base, creating a run off for water. It is also recommended that the floor be at least 25mm above the surrounding ground level to avoid flooding.

## TYPES OF BASE

- Concrete 75mm laid on top of 75mm hard-core.
- Slabs laid on 50mm of sharp sand.
- Wooden base.



## WARNING

- ONLY SUITABLE FOR DOMESTIC USE.
- TO BE USED UNDER DIRECT SUPERVISION OF AN ADULT.
- THIS PRODUCT SHOULD NOT BE MODIFIED IN ANY WAY. ANY MODIFICATIONS SHOULD BE DETERMINED BY THE MANUFACTURER AND CARRIED OUT ACCORDING TO THE INSTRUCTIONS.
- DO NOT ALLOW YOUR CHILD TO PLAY WITH ANY COMPONENT PARTS PRIOR TO ASSEMBLY.
- MAX AGE OF 14 YEARS.
- THIS TOY IS FOR OUTDOOR USE ONLY.
- USE A WATER BASED TREATMENT THAT IS EN71 TESTED

## CAUTION

Wood is a natural product and can change post manufacture. So despite every effort being made to ensure the material used are cut and machined to a clean and smooth finish, care must be taken when handling the product and preparing for use by your child.

Any areas of concern, in the play areas, can be rubbed over with sandpaper to achieve a smoother finish. Alternatively, call the customer service department who will be happy to arrange replacement panels/parts.



All buildings should be erected by at least two adults.  
**DO NOT ALLOW CHILDREN TO ASSIST.**



Winter = High Moisture = Expansion  
 Summer = Low Moisture = Contraction



**2mm Drill bit**  
**12mm CSK**

To prevent damage during assembly, you **MUST** pilot drill all screw holes and **ensure all screw heads are countersunk.**



For ease of assembly, you will need a tape measure to check dimensions of components.

**Whilst all products manufactured are made to the highest standards of Safety and in the case of childrens products independently tested to EN71, we cannot accept responsibility for your safety whilst erecting this product.**

## \*\*Protim Aquatan T

Your building has been treated with **Aquatan**.

Aquatan is a water-based concentrate which is diluted with water, the building as been treated by the correct application of Aquatan solution and then allowed to dry.

Aquatan is a decorative finish to colour the wood, which is applied industrially to timber fence panels and garden buildings.

**Aquatan undiluted contains:** boric acid, sodium hydroxide 32% solution, aqueous mixture of sodium dioctyl sulphosuccinat and alcohols: 2, 4, 6-trichlorophenol.

**In all instances for assistance with your product, please contact customer care on : 01636 880514 or customerservice@merciaggp.co.uk**

**Mercia Garden Products Limited,**  
**Sutton On Trent,**  
**Newark,**  
**Nottinghamshire,**  
**NG23 6QN**



Look for the symbols and follow the safety guidelines below.



**1!** Ensure screw heads are subflush and sand down any splinters created.



**2!** Ensure the screws are fixed squarely and do not protrude.



**3!** 12mm gap surrounding the door.



**Overall Dimensions:**

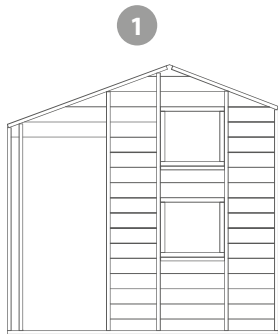
Width = 2310mm  
Depth = 1819mm  
Height = 2020mm

**Base Dimensions:**

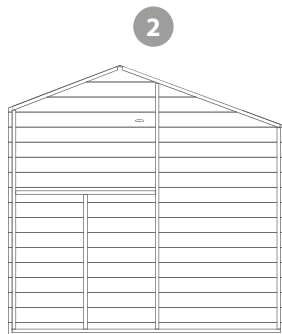
Width = 2082mm  
Depth = 1448 mm



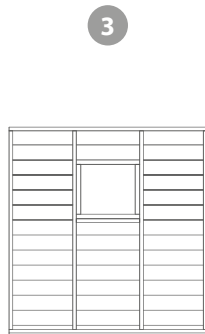
Before assembly please make sure you have a suitable base ready to erect your building



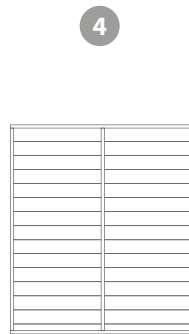
**1**  
**Door Gable**  
AI-02SNO0705-V4DG



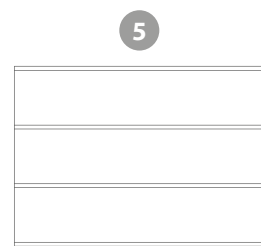
**2**  
**Plain Gable**  
AI-02SNO0705-V4PG



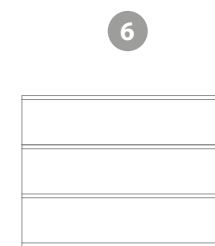
**3**  
**Window Side**  
AI-02SNO0705-V4WS



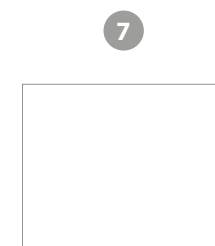
**4**  
**Plain Panel**  
AI-02SNO0705-V4PS



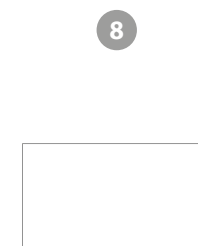
**5**  
**Floor**  
AI-02SNO0705-V4F



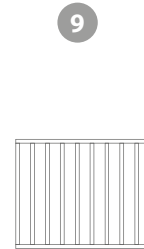
**6**  
**Bunk Floor**  
AI-02SNO0705-V4BF



**7**  
**Large Roof Sheet**  
1795 x 1400mm  
PI-03-0030



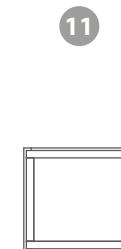
**8**  
**Small Roof Sheet**  
1795x990mm  
PI-03-0031



**9**  
**Rail Guard**  
AI-02SNO0705-V4CR



**10**  
**Door**  
AI-02SNO0705-V4D



**11**  
**Window**  
AI-02PHOW-V1  
QTY x3



**12**  
**Bunk Floor Support Bar - 1270mm** F2744-1270mm



**13**  
**Roof Eave - 1795mm** FS2828-1795mm QTY x2



**14**  
**Roof Support Bar - 1448mm** F2744-1448mm



**15**  
**Fascia - 1427mm** FAS1295-1427mm QTY x2



**16**  
**Fascia - 1041mm** FAS1295-1041mm QTY x2



**17**  
**Fascia Block - 140mm** F2828-140mm



**18**  
**Support Block - 495mm** F2744-535mm QTY x3



**19**  
**Ladder Left** PRO2795-1365mm-LEFT







**Ladder Right** PRO2795-1365mm-RIGHT



**20**  
**Ladder Step - 390mm** PRO2795-390mm QTY x3

DO NOT ALLOW YOUR CHILD TO PLAY WITH ANY COMPONENT PARTS PRIOR TO ASSEMBLY.

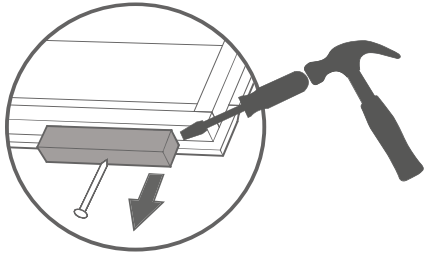
- 21  **Bunk Floor Block A** F2770-666mm QTY x2
- 22  **Bunk Floor Block B** F2744-474mm
- 23  **Bunk Floor Block C** F2744-343mm QTY x2
- 24  **Bunk Floor Block D** F2744-54mm QTY x3

**Pre Assembly**

Before assembling remove the transportation blocks from the bottom of each panel.

Take care removing the blocks as to not damage the panels. Tap with a flat headed screwdriver and hammer.

Dispose of the blocks once removed.



25



**Finial**  
SHED DIAMOND FINIAL  
QTY x2

26



**Window Frame**  
PI-04-0013  
QTY x3

27



**Butterfly**  
PI-04-0015

28



**Door Stop**  
PLY TRIANGLE

29



**Window Box**  
AI-025NO0705-V4WB  
QTY x2

30



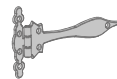
**Window Shutters**  
AI-025NO0705-V4WS  
QTY x4

31



**Wooden Door handle**  
PI-04-0024

32



**Antique Hinge**  
PI-07-0113  
QTY x3

33











**Corner Bracing**  
PI-07-0012  
QTY x2

34



**Window Block**  
PI-07-0011  
QTY x6

**Nail Bag**

-  Felt Tacks x 80
-  10mm Screw x 5
-  20mm Screw x 16
-  30mm Screw x 66
-  30mm Black Screw x 21
-  40mm Screw x 40
-  50mm Screw x 53
-  60mm Screw x 22

DO NOT ALLOW YOUR CHILD TO PLAY WITH ANY COMPONENT PARTS PRIOR TO ASSEMBLY.

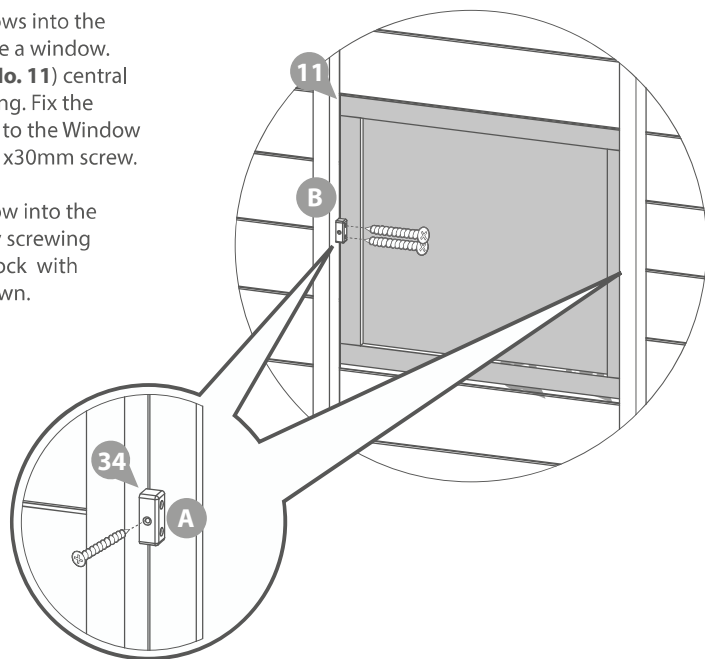
**Step 1**  
Parts needed - 11 x3 & 34 x6



**A** To fix the Windows into the panels that accommodate a window. Position the Window (No. 11) central into the window opening. Fix the Window Block (No. 34) to the Window central as shown with 1x30mm screw.

**B** Place the Window into the window hole and fix by screwing through the Window Block with 2x30mm screws as shown.

18x30mm screws.



**Step 2**  
Parts needed - 1 & 10 & 32 x3



**A** Lay the Door Gable (No. 1) with the boards facing up on a flat surface. Place the door within the door aperture and position the Door (No. 10) so that you have a 12mm gap from the door to the door gable on all four sides.

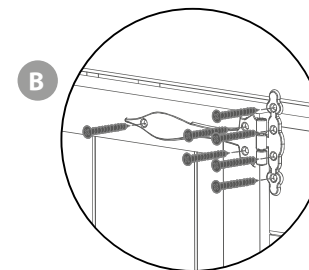
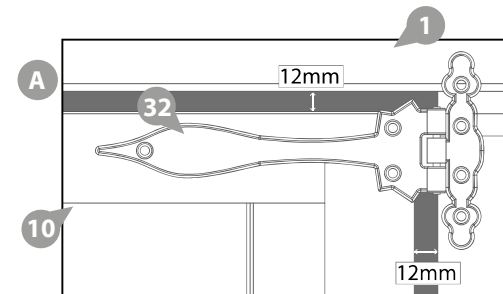
Useful tip: Use a 12mm thick piece of timber from your fixing kit within the gaps to ensure the door does not move.

**B** Place a Hinge x3 (No. 32) at the top, middle and bottom of the door and using 7x30mm black screws per hinge, fix the hinge to the door and the door gable.

21x 30mm black screws



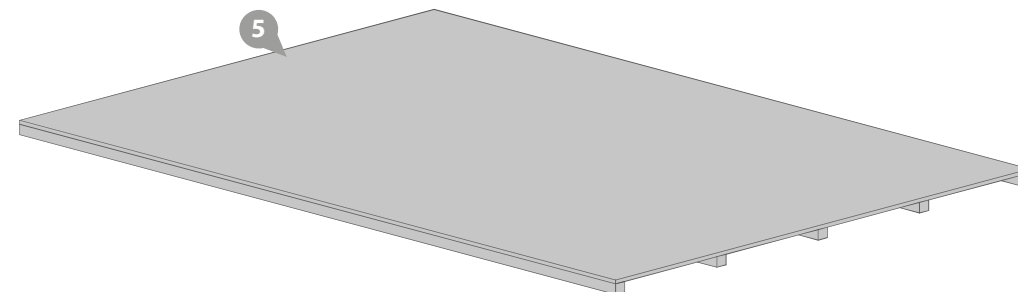
*\*Please note that the door can be hung from either side to suit your needs.\**



**Step 3**  
Parts needed - 5



Place the Floor (No. 5) on your firm and level base, ensure base has suitable drainage free from areas where standing water can collect. (See front page on base requirements).



**DO NOT ALLOW YOUR CHILD TO PLAY WITH ANY COMPONENT PARTS PRIOR TO ASSEMBLY.**

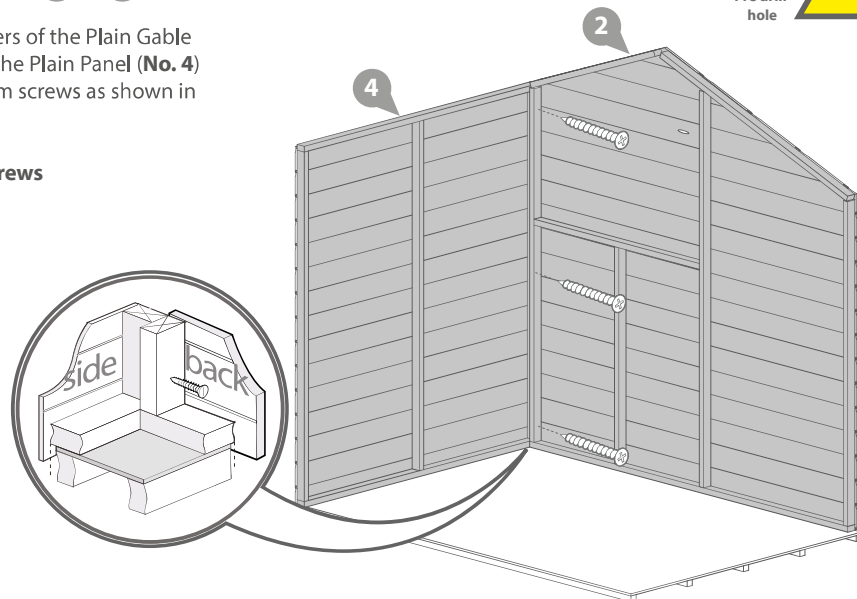
### Step 4

Parts needed - 2 & 4

Fix the corners of the Plain Gable (No. 2) and the Plain Panel (No. 4) with 3x50mm screws as shown in diagram.

3x50mm screws

50mm screw



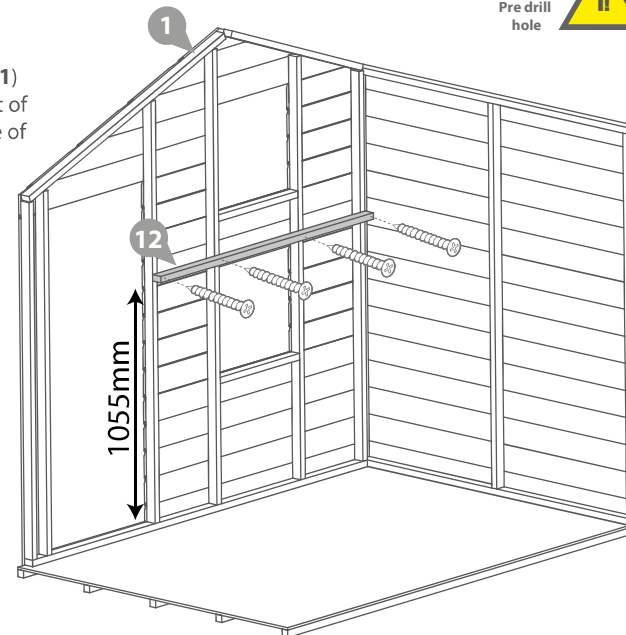
### Step 6

Parts needed - 1 & 12

Fix the Bunk Floor Support Bar (No. 12) to the Door Gable (No. 1) with 4x60mm screws at a height of 1055mm from the bottom piece of framing to the top of the bar as shown in the diagram.

4x60mm screws.

60mm screw



### Step 5

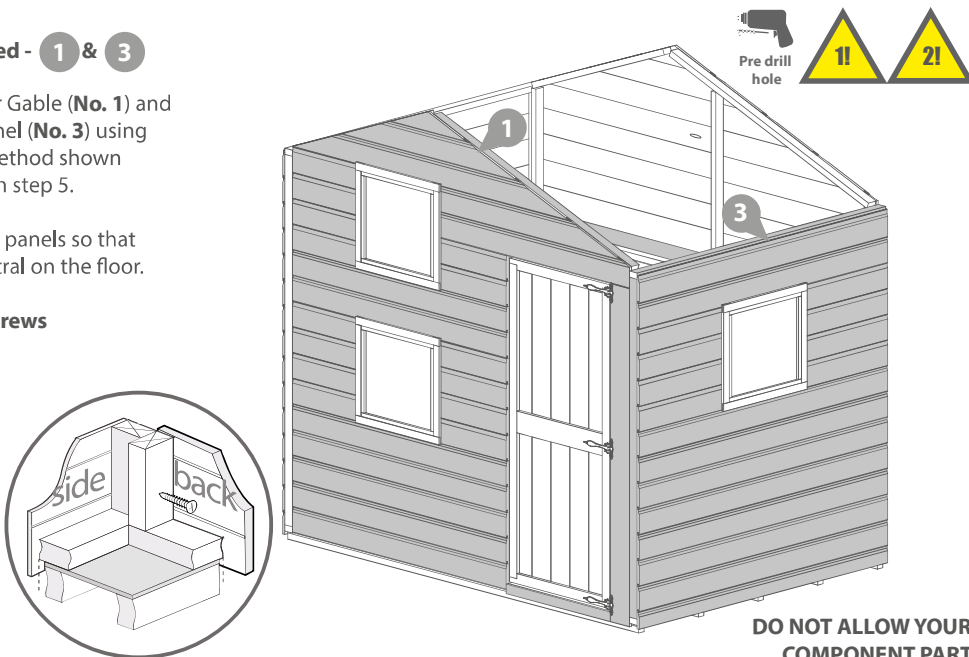
Parts needed - 1 & 3

Fix the Door Gable (No. 1) and Window Panel (No. 3) using the same method shown previously in step 5.

Position the panels so that they sit central on the floor.

9x50mm screws

50mm screw



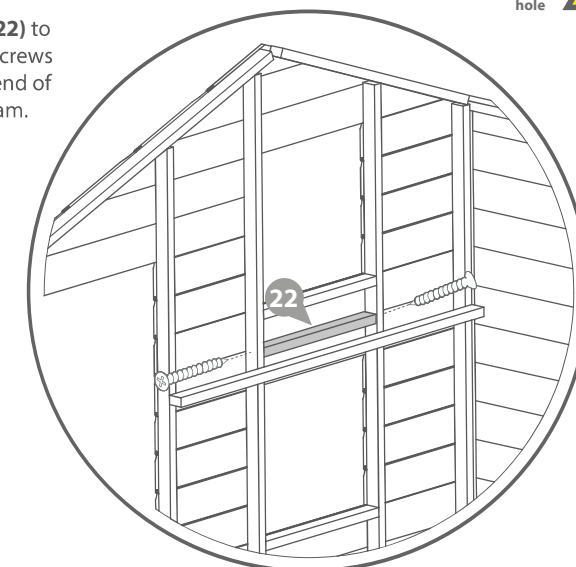
### Step 7

Parts needed - 22

Fix the Bunk Floor Block A (No. 22) to the door gable using 2x40mm screws through the framing into each end of the block as shown in the diagram.

2x40mm screws

40mm screw



DO NOT ALLOW YOUR CHILD TO PLAY WITH ANY COMPONENT PARTS PRIOR TO ASSEMBLY.

**Step 8**

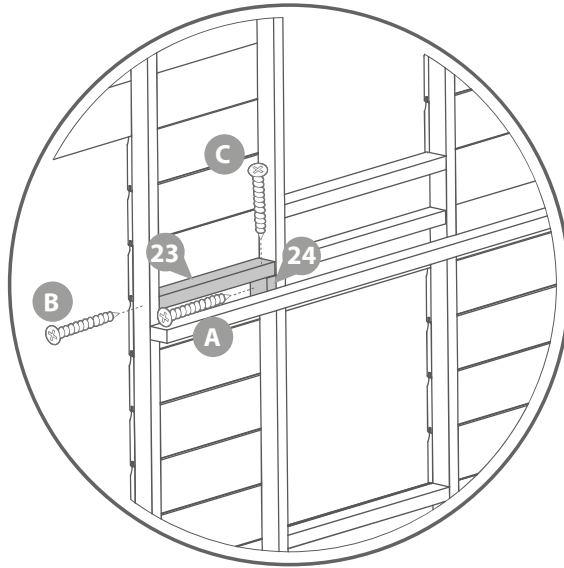
**Parts needed - 23 & 24**



**A** Fix the Bunk Floor Block D (No. 24) to the door gable using 1x40mm screw through the framing into the block.

**B** Then fix the Bunk Floor Block C (No. 23) onto the framing as shown in the diagram. Fix using 1x40mm screw in the left of the block through the framing.

**C** Fix with a 1x40mm screw down into block D.



**3x40mm screws**



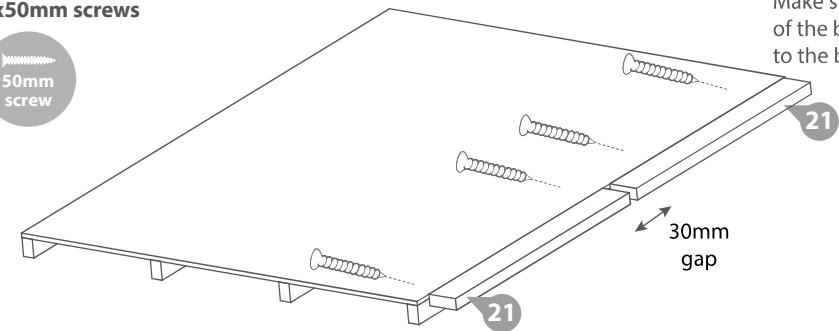
**Step 10**

**Parts needed - 6 & 21 x2**



Away from the building, fix the Bunk Floor Block A (No. 21) x2 to the Bunk Floor (No. 6) from underneath. Fix through the framing into the blocks using 4x50mm screws.

**4x50mm screws**



Make sure this side of the block is flush to the building.

30mm gap

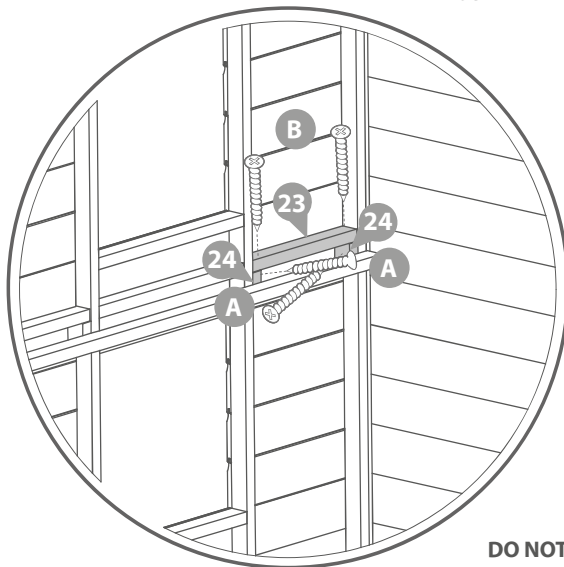
**Step 9**

**Parts needed - 23 & 24 x2**



**A** Fix the other 2x Bunk Floor Block D (No. 24) to the door gable using 1x40mm screw through the framing into each block as shown in the diagram.

**B** Then fix the Bunk Floor Block C (No. 23) onto the framing as shown in the diagram. Fix using 2x40mm screws down into block D.



**4x40mm screws**



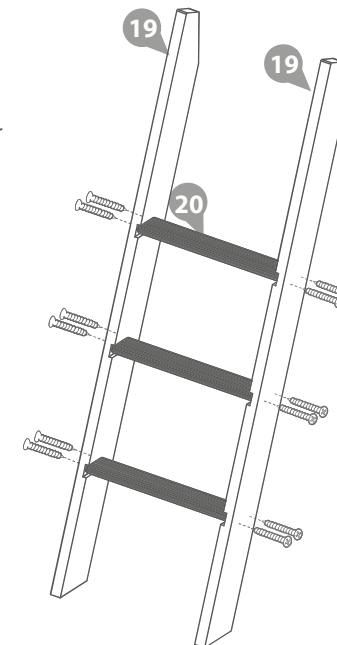
**Step 11**

**Parts needed - 19 & 20 x3**



To assemble the ladder, slot each Ladder Step x3 (No. 20) into the grooves of the Left and Right Ladder Sides (No. 19). Fix with 4x50mm screws per step as shown.

**12x50mm screws.**

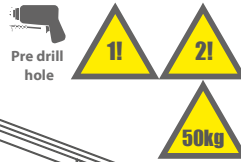
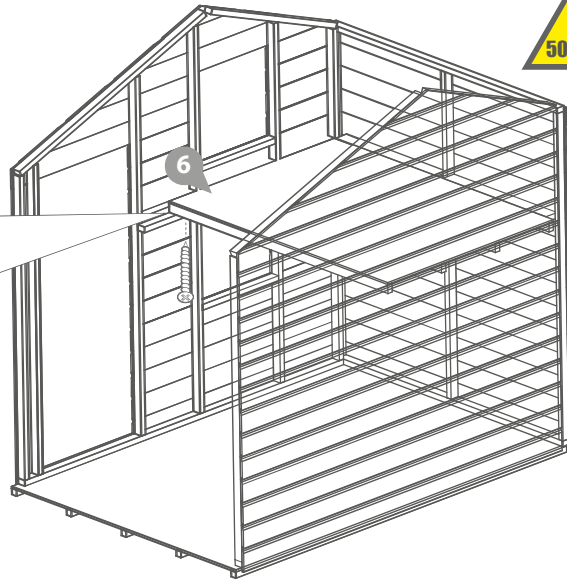
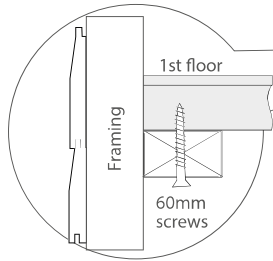


**DO NOT ALLOW YOUR CHILD TO PLAY WITH ANY COMPONENT PARTS PRIOR TO ASSEMBLY.**

**Step 12**  
Parts needed -

Place the Bunk Floor (No. 6) onto the framing. Fix from underneath going through the framing, up into the bunk floor using 4x60mm screws each side.

8x60mm screws



\*Make sure the bunk floor sits up against the framing of the Window Panel and flush against the Plain Panel.

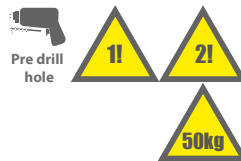
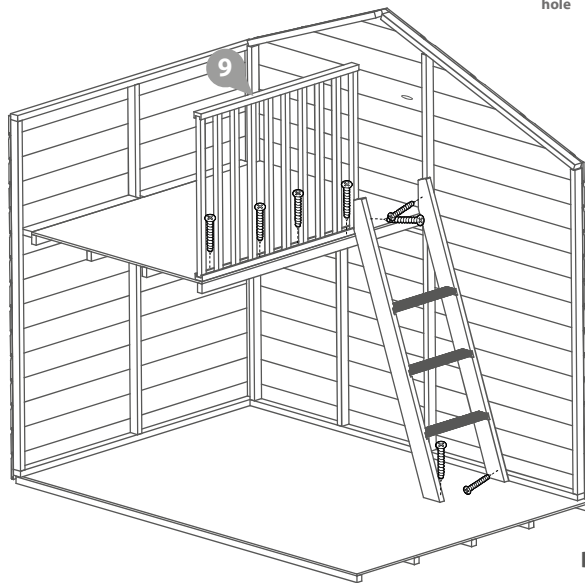
**The bunk floor will not sit flush if the building is not sitting square. The building may need to be adjusted accordingly before fixing the bunk floor in place.**

**Step 13**  
Parts needed - 9

Fix the Rail Guard (No. 9) to the Bunk floor using 4x60mm screws as shown.

Fix the assembled Ladder with 4x60mm screws. Screw through the ladder into the Floor, Rail Guard and Plain Gable as shown in the diagram.

8x60mm screws

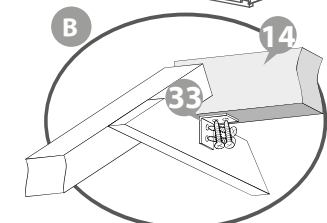
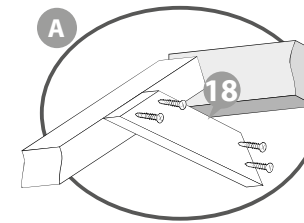
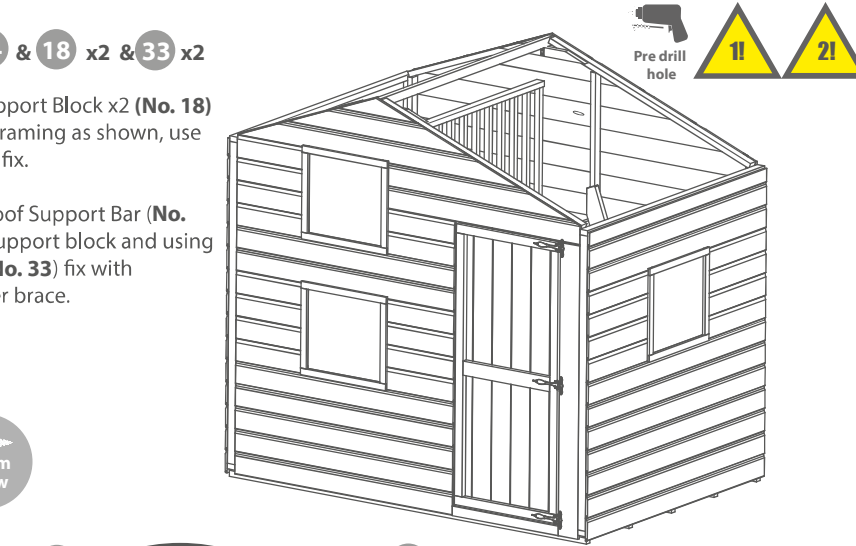


**Step 14**  
Parts needed - 14 & 18 x2 & 33 x2

**A** Line the Support Block x2 (No. 18) up with the gable framing as shown, use 4x40mm screws to fix.

**B** Place the Roof Support Bar (No. 14) on top of the support block and using Corner Braces x2 (No. 33) fix with 4x30mm screws per brace.

8x30mm screws  
8x40mm screws

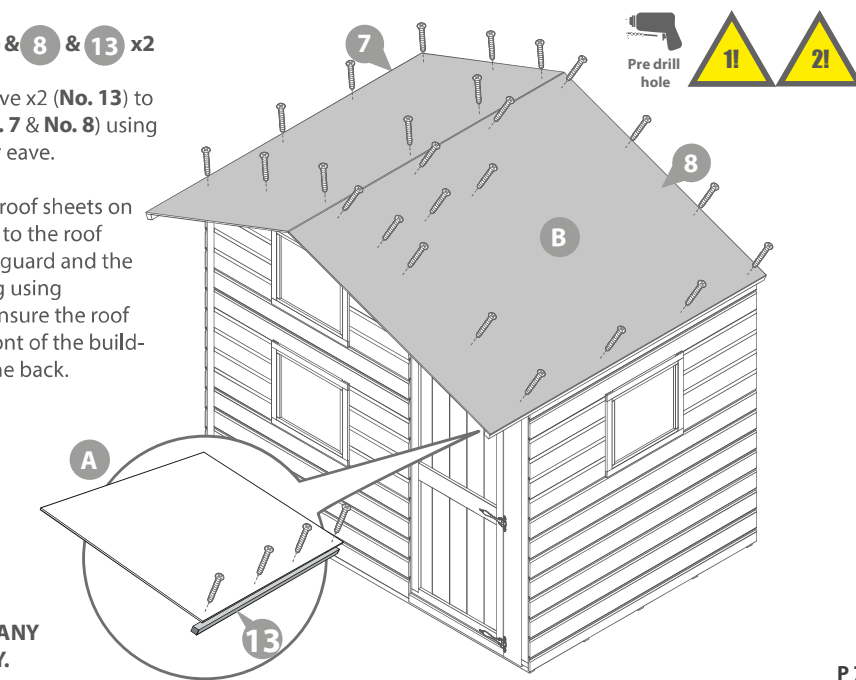
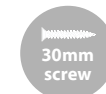


**Step 15**  
Parts needed - 7 & 8 & 13 x2

**A** Fix a Roof Eave x2 (No. 13) to each roof sheet (No. 7 & No. 8) using 4x30mm screws per eave.

**B** Position the roof sheets on the building and fix to the roof support bar the rail guard and the sides of the building using 25x30mm screws. Ensure the roof overhangs at the front of the building and is flush at the back.

33x30mm Screws



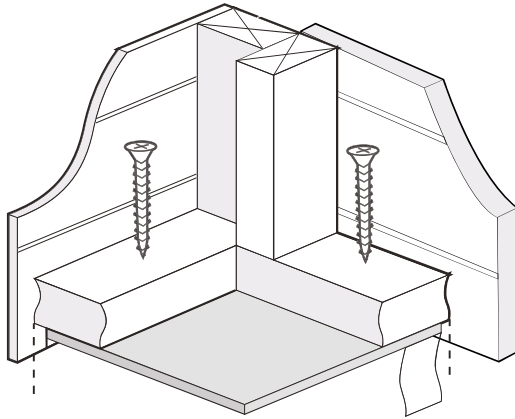
**DO NOT ALLOW YOUR CHILD TO PLAY WITH ANY COMPONENT PARTS PRIOR TO ASSEMBLY.**

### Step 16

Once the roof is fitted and the building is square, secure the building to the floor fixing the panels onto the floor using 18x50mm screws in alignment with the floor joists.

#### 18x50mm Screws

50mm screw



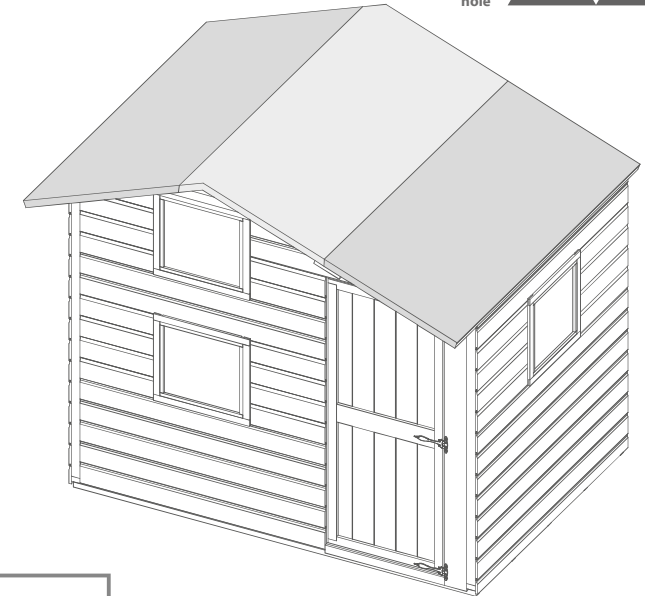
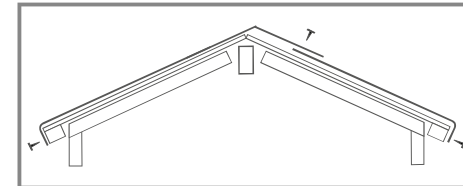
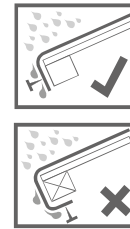
### Step 18

Cut felt into 3 sheets and lay onto roof as shown in diagram ensuring there is a 50mm overhang around the sides.

Fix using felt tacks at 100mm intervals.

#### 80 Felt Tacks

Felt tacks



### Step 17

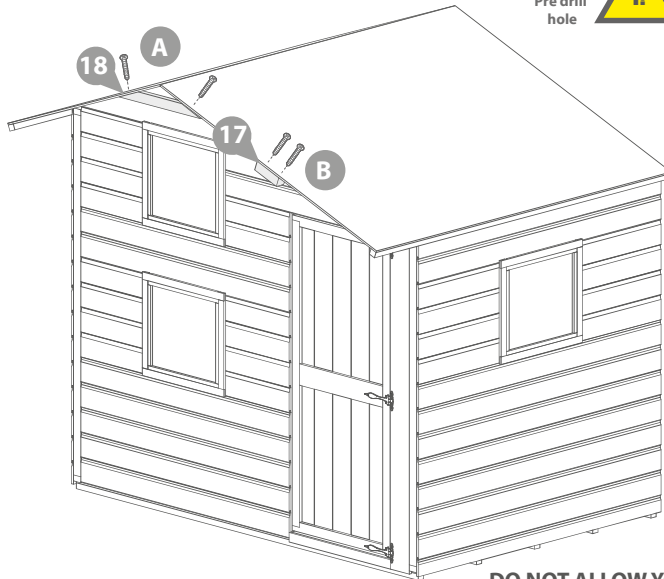
Parts needed - 17 & 18

**A** Fix the Support Block (No. 18) between the apex of the roof flush with the edge of the roof sheets using 2x30mm screws.

**B** Fix the Fascia Block (No. 17) in the middle of the the Large roof sheet using 2x30mm screw, ensuring it is flush with the edge.

#### 4x30mm Screws

30mm screw



**DO NOT ALLOW YOUR CHILD TO PLAY WITH ANY COMPONENT PARTS PRIOR TO ASSEMBLY.**



**Step 19**

**Parts needed - 15 x2 & 16 x2 & 25 x2**

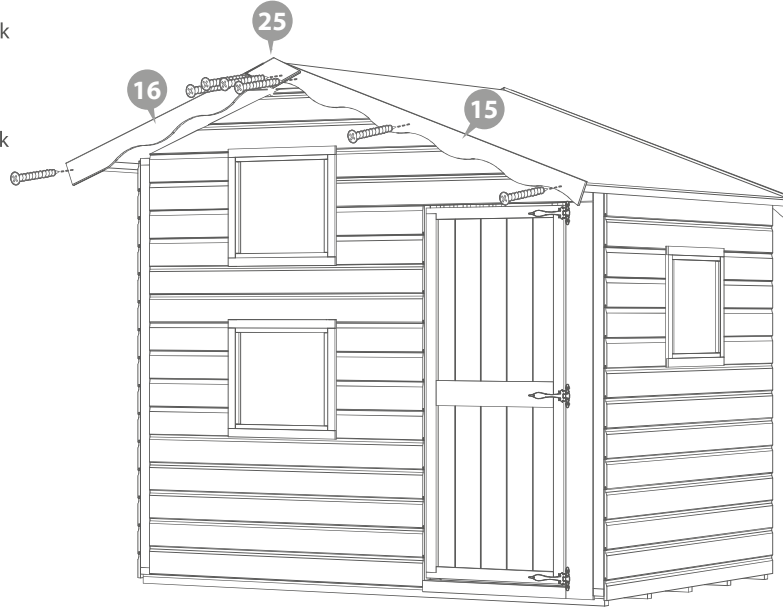
Fix the Fascia 1427mm x2 (No. 15) to the front and back using 3x40mm screws.

Fix the Fascia 1041mm x2 (No. 16) to the front and back using 2x40mm.

Fix the Finials x2 (No. 25) to the front and back using 2x40mm screws.

Ensure to trap the felt between the fascia and the building.

**7x40mm Screws**



**Step 20**

**Parts needed - 29 x2 & 30 x4**

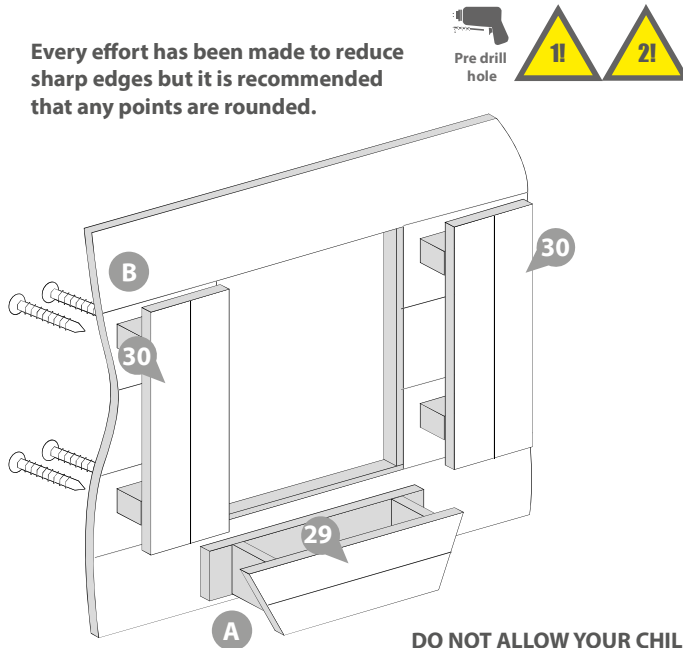
**A** Fix a Window Box x2 (No. 29) and Window Shutters x2 (No. 30) to each window on the Door Gable.

**B** Fix a Window Box (No. 29) underneath the window, screwing through the Door Gable into the window box using 4x30mm screws.

Fix the Window Shutters x2 (No. 30) through the Door Gable into the shutter using 4x30mm screws per shutter.

Repeat with both windows.

**12x40mm screws.**



Every effort has been made to reduce sharp edges but it is recommended that any points are rounded.



**DO NOT ALLOW YOUR CHILD TO PLAY WITH ANY COMPONENT PARTS PRIOR TO ASSEMBLY.**

**Step 21**

**Parts needed - 26 x3 & 27 & 28 & 31**

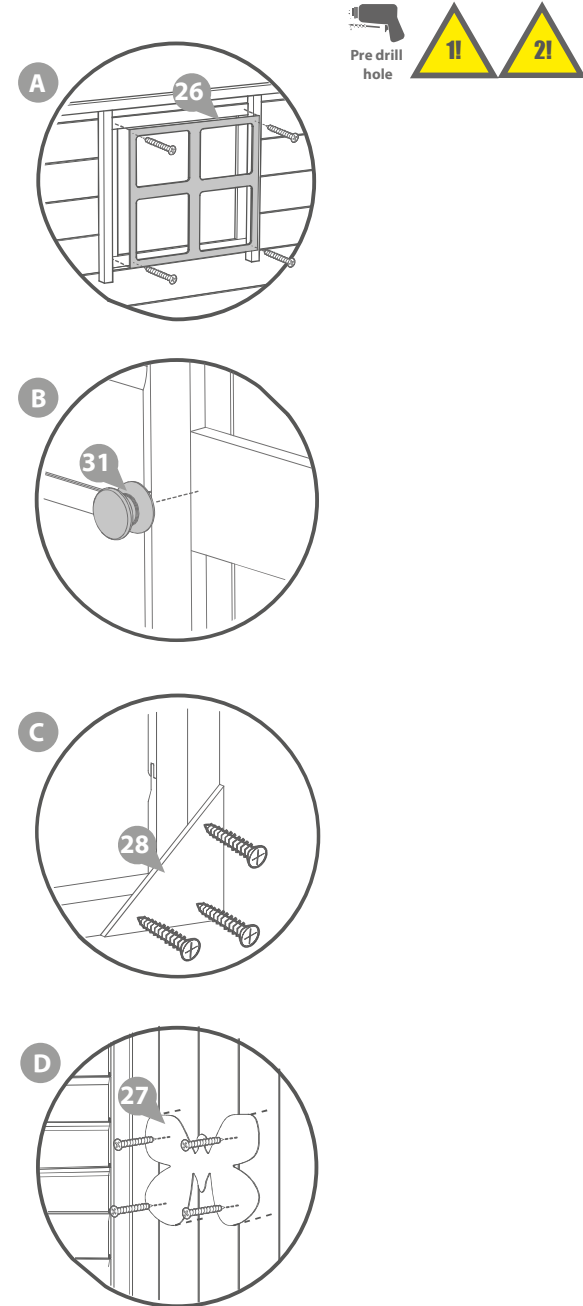
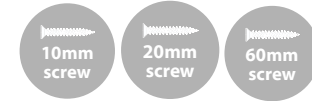
**A** Place a Window Frame Cross (No. 26) against the inside of each window. Position the frame centrally to the window and fix using 4x20mm screws per frame.

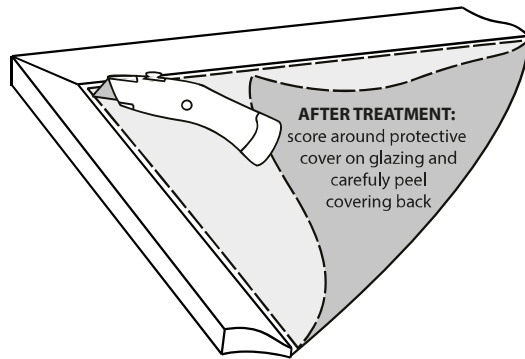
**B** Place the Wooden Door Handle (No. 31) on the outside of the door and use a 60mm screw from the inside to secure.

**C** On the inside of the door opening fix the ply triangle door stop (No. 28) to the bottom left corner using 3x20mm screws.

**D** Fix the Butterfly (No. 27) onto to the door using 4x10mm screws.

**4x10mm Screws  
15x20mm Screws  
1x60mm Screw**





### **Playhouse Maintenance:**

It is recommended that the following checks and maintenance are carried out at the beginning of each season as well as at regular intervals during the usage season.

- Check all nuts /bolts/ screws for tightness and tighten when required.
- Check for movement / opening of wood giving rise to protrusion of nail heads and tips.
- Check hinges.
- Replace defective parts in accordance with the manufacturers instructions.
- Check any crossbeams, suspensions and anchors.
- If a swing is included; check the swing seat, chains and ropes.

**IF THESE CHECKS ARE NOT CARRIED OUT THE ACTIVITY TOY COULD BECOME A HAZARD**

**DO NOT ALLOW YOUR CHILD TO PLAY WITH ANY COMPONENT PARTS PRIOR TO ASSEMBLY.**