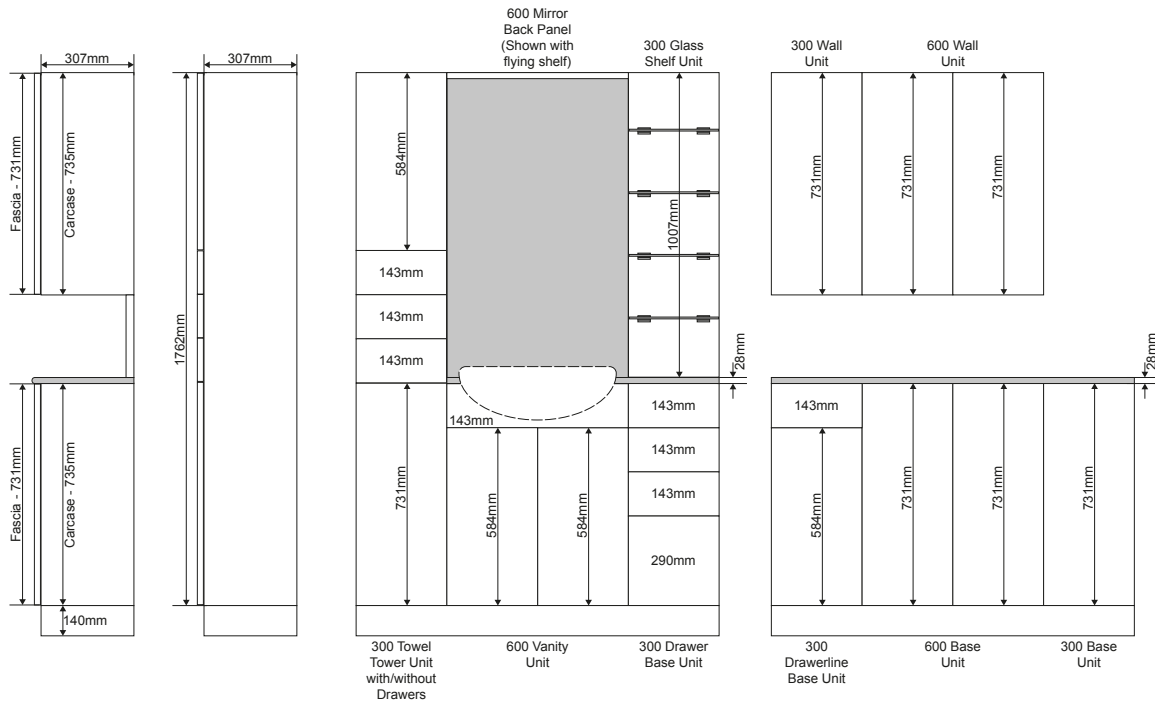


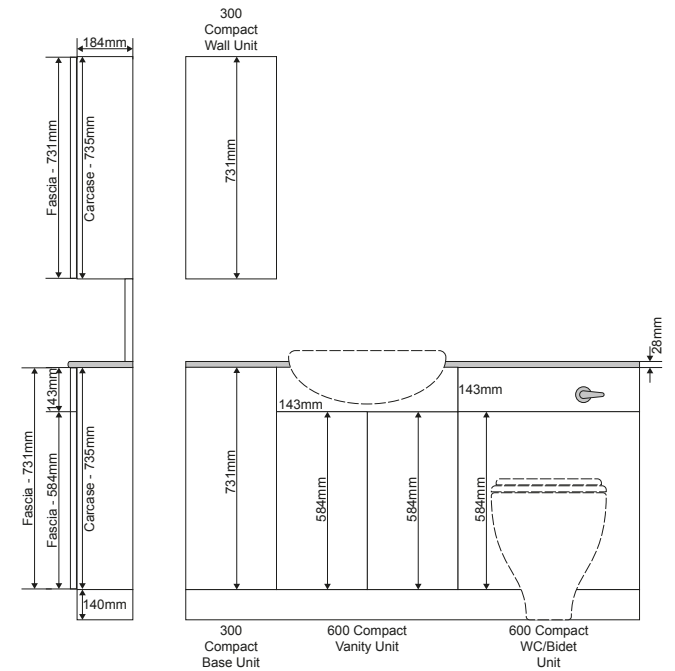
# Key Unit Dimensions

Not all units are available in all ranges and styles may vary.

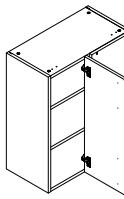
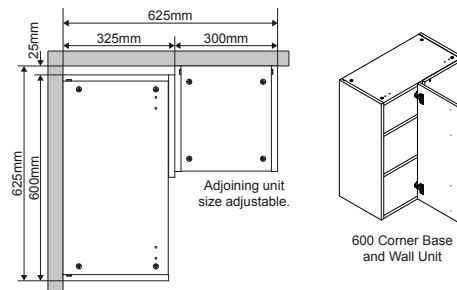
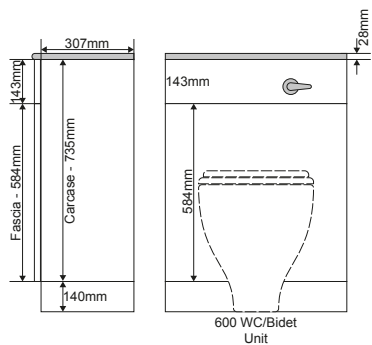
## Standard Depth Units



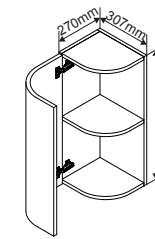
## Compact Depth Units



## Corner and Feature Units



600 Corner Base and Wall Unit



Base and Wall Curved Unit

**Note:** Drawer and Drawerline Units with a working drawer must not be positioned against the corner unit as the handles will clash. If a drawerline appearance is required, use jointing plates to connect the fascias. Similarly, WC/Bidet and Vanity Units are not suitable as the pottery will prevent the door from opening.