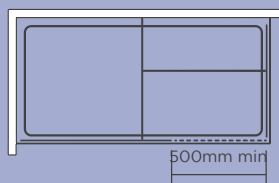


Showerwalls



Minimum Opening

We recommend a minimum opening of 500mm for any wetroom area.



Note: Glass height is 2000mm, the addition of the stabilising bar adds 15mm, increasing the height to 2015mm.

Showerwalls - Chrome

Code	Size	Adjustment Min - Max
231294	700	675 - 690
231292	800	775 - 790
231291	900	875 - 890
231295	1000	975 - 990
231296	1200	1175 - 1190
231293	1400	1375 - 1390

Showerwalls - Swivel Panel

Code	Size
233372	300

Showerwalls - Black

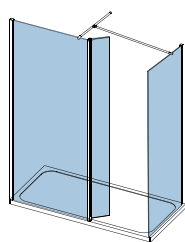
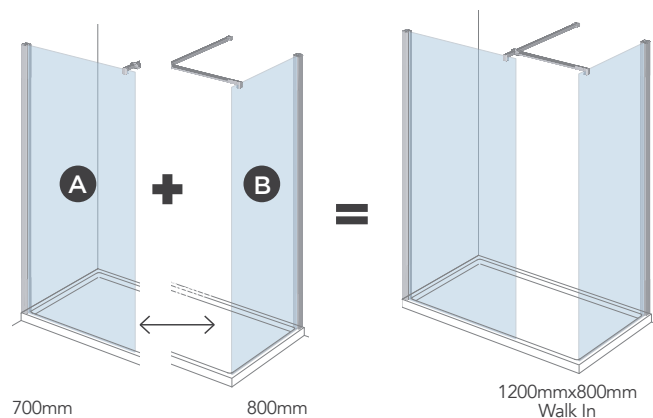
Code	Size	Adjustment Min - Max
231328	700	675 - 690
231404	800	775 - 790
231297	900	875 - 890
231298	1000	975 - 990
231299	1200	1175 - 1190

Black Swivel Panel

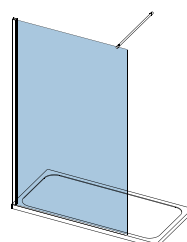
Code	Size
231405	300

How it Works

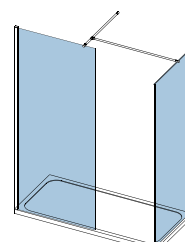
If you wanted to make up a Walk In Wetroom for an area to fit on to a 1200mm x 800mm tray or floor. You pick panel A (700mm) and B panel (800mm), this also includes the recommended 500mm minimum opening for the Walk In.



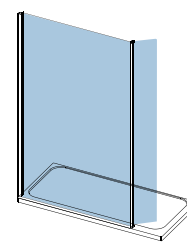
Walk-in with Swivel Panel



Showerwall



Walk-in



Showerwall with Swivel Panel