

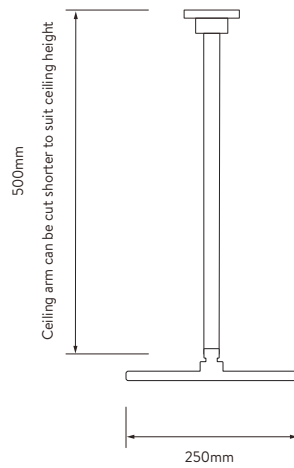
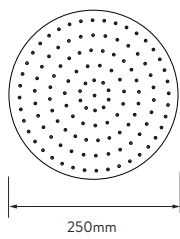
# AQUALISA UNITY Q™

UTQ.A1.EV.  
DVFC.20

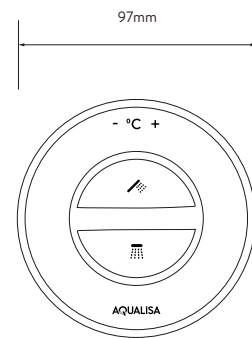
EXPOSED WITH ADJUSTABLE HEAD AND CEILING FIXED DRENCHER - HP/COMBI

## DIMENSIONAL DRAWINGS

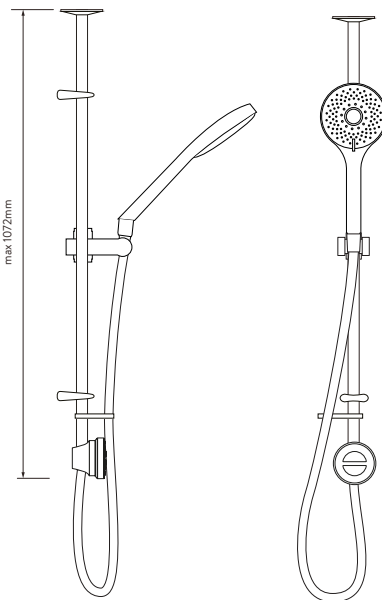
FIXED CEILING DRENCHER



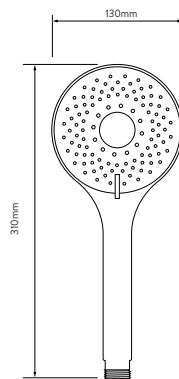
CONTROLLER



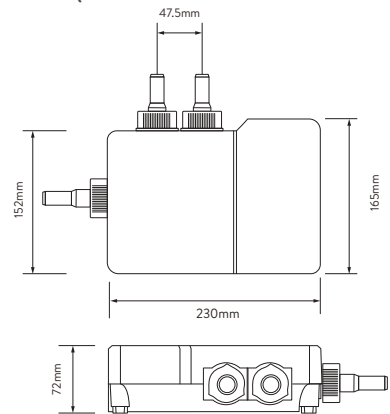
EXPOSED SHOWER RAIL KIT



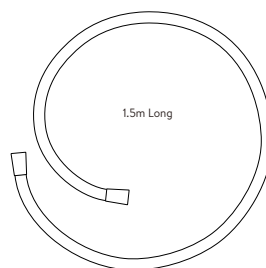
SHOWER HEAD



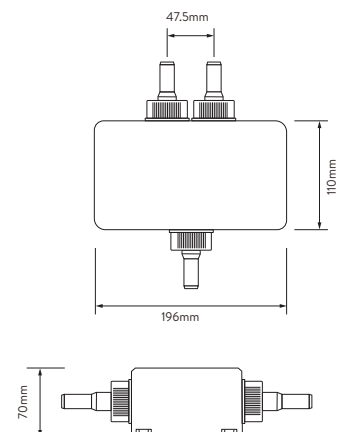
AQUALISA SMARTVALVE™



SHOWER HOSE



DIVERTER



# AQUALISA

## UNITY Q™

UTQ.A1.EV.  
DVFC.20

EXPOSED WITH ADJUSTABLE HEAD AND CEILING FIXED DRENCHER - HP/COMBI

### TECHNICAL SPECIFICATIONS

|  |   |
|--|---|
| Minimum pressure requirements                                  | 1 bar   |
| Maximum pressure requirements                                  | 7 bar   |
| Aqualisa SmartValve™ inlet fitting connections                 | 15mm push fit fittings, valve inlet centres 48mm, inlet supply positions – hot right, cold left                       |
| Aqualisa SmartValve™ and diverter outlet connections           | 15mm push fit   |
| Permissible Aqualisa SmartValve™ and diverter siting locations | Loft, airing cupboard, under bath   |
| Supply temperature   | Cold inlet temperature 1°C (minimum)<br>Cold inlet temperature 15°C (maximum)<br>Hot inlet temperature 65°C (maximum) |
| Water system   | HP / Combi / Boosted gravity  |
| Features   | One touch start/stop control  |
|  | LED display indicates when pre-selected temperature has been reached  |
|  | Wi-Fi & App compatible – control your product with your smart phone and smart home device e.g. Alexa                  |
|  | App functions include start/stop, shower timer, user dashboard, usage tracker and help & support                      |
|  | Aqualisa SmartValve™  |
|  | Digital diverter technology   |
|  | 130mm Vita™ shower head with 3 spray patterns   |
| Compatible with wired remote control                           |   |
| Guarantee period   | 5-year guarantee - shower unit  |
|  | 2-year guarantee - shower head and kit  |
| Approvals  | CE Marking  |
|  | BEAB  |