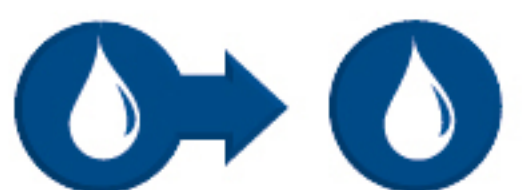


# T80 THERMOSTATIC EASI-FIT+ ELECTRIC SHOWER

## ENTRY POINTS

### Diagram Key:



Rear Entry

**Water** Entry Points



Rear Entry

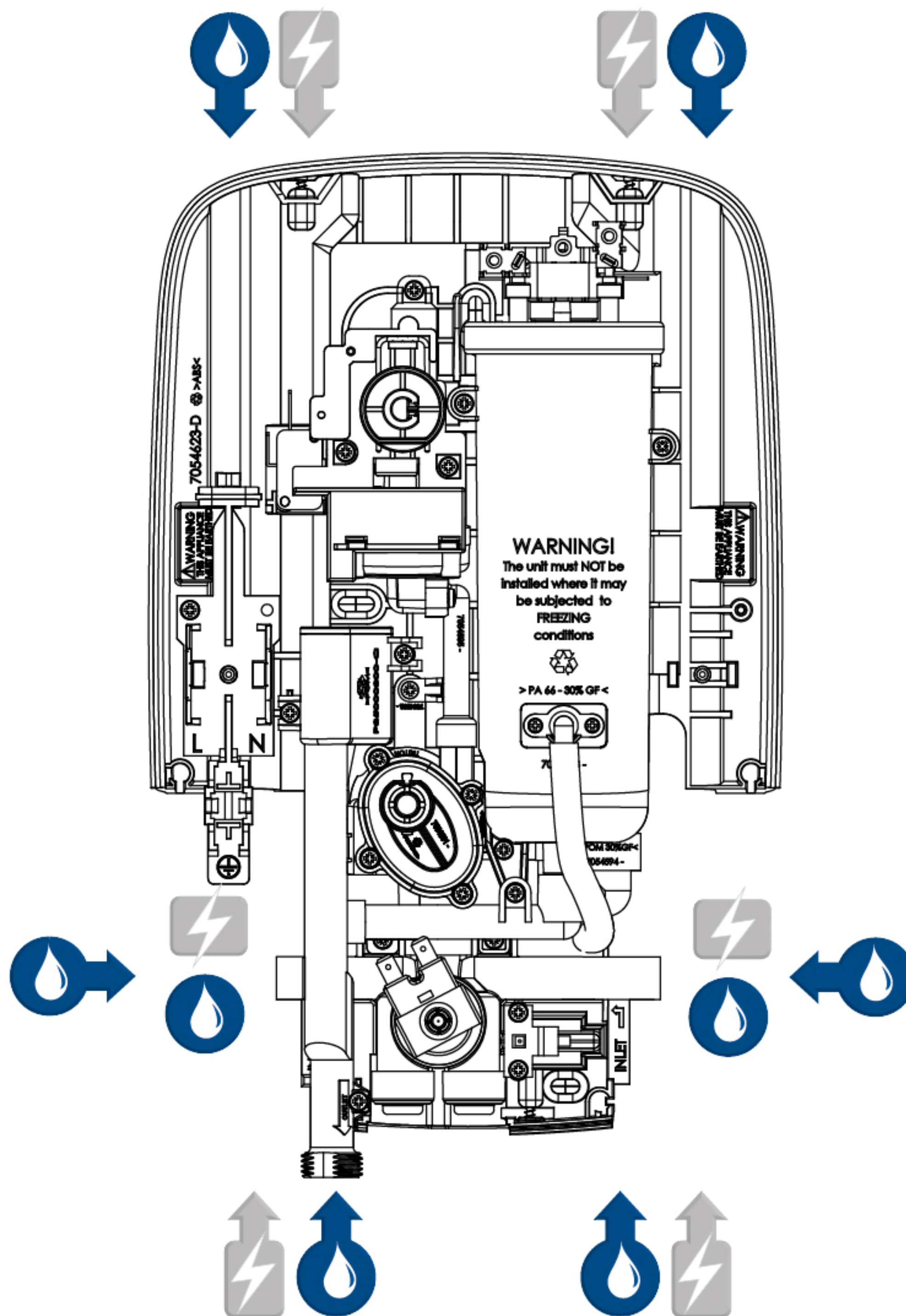
**Cable** Entry Points

### Dimensions:

H: 346mm

W: 225mm

D: 111mm



**TRITON**

See you first thing Britain