

NO WIRING REQUIRED  
ZERO ELECTRICITY COST

## SOLAR GUARDIAN WALL LIGHT

### Product Features

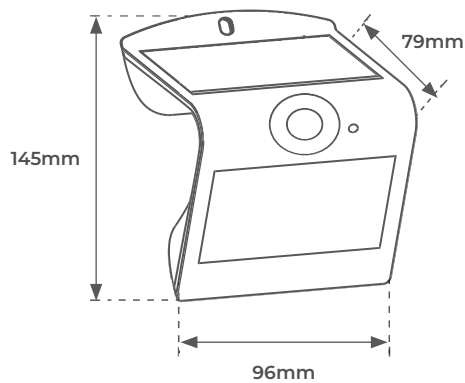
- Exterior wall light with solar power technology
- Polycarbonate body for increased durability
- PIR / Photocell with security and presence detection mode settings
- Perfect for external residential applications with no mains power, no wiring required



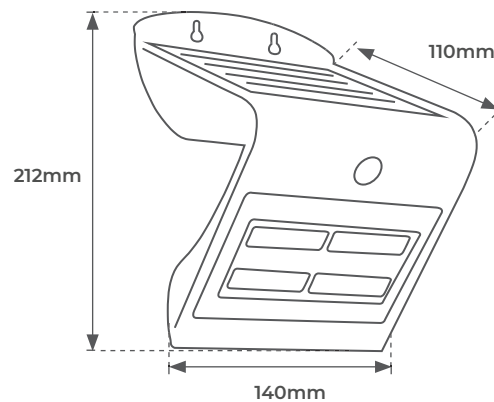
CAT NO.	COLOUR	BODY SIZE	LUMINAIRE LUMENS
LEXS22B40	Black	Small	220
LEXS22W40	White	Small	220
LEXS40B40	Black	Medium	400
LEXS40W40	White	Medium	400

### Product Drawing

LEXS22



LEXS40



CAT NO.	WEIGHT (kg)	WATTAGE	CRI	IK RATING	BATTERY TYPE	BATTERY CAPACITY	TEMP RANGE (°C)	AMBIENT TEMP RATED LIFE (°C)
LEXS22B40	0.2	1.5	>80	IK06	Li-Ion 3.7V	1200mAh	0 - +25	25
LEXS22W40	0.2	1.5	>80	IK06	Li-Ion 3.7V	1200mAh	0 - +25	25
LEXS40B40	0.43	3.2	>80	IK06	Li-Ion 3.7V	2000mAh	0 - +25	25
LEXS40W40	0.43	3.2	>80	IK06	Li-Ion 3.7V	2000mAh	0 - +25	25

STANDARD	DESCRIPTION
EN 60598-1	Luminaire – General requirements
EN 60598-2-1	Luminaire – Fixed general purpose
EN 61000-3-2	Electromagnetic compatibility (EMC) – Part 3-2: Limits - for harmonic current emissions
EN 61000-3-3	Limits - Limitation of voltage changes, voltage fluctuations and flicker in public low-voltage supply systems, for equipment with rated current $\leq 16$ A per phase and not subject to conditional connection
EN 61547	Equipment for general lighting purposes – EMC immunity requirements
EN 55015	Limits and methods of measurement of radio disturbance characteristics of electrical lighting and similar equipment

