

AQUALISA

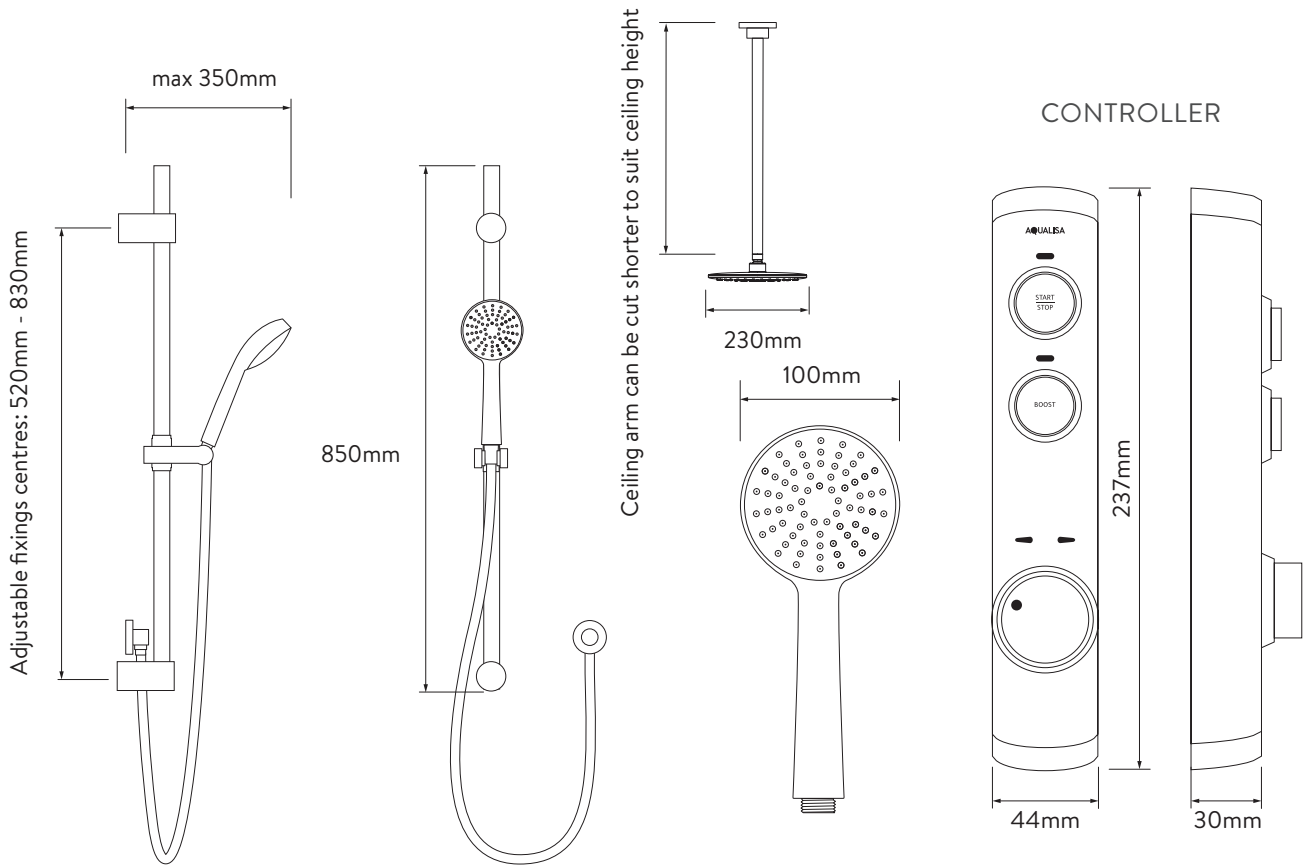
ISYSTEM™

DUAL OUTLET CONCEALED

ISD.A2.BV.
DVFC.14

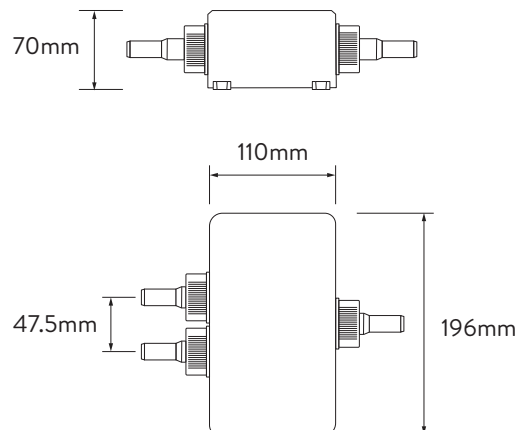
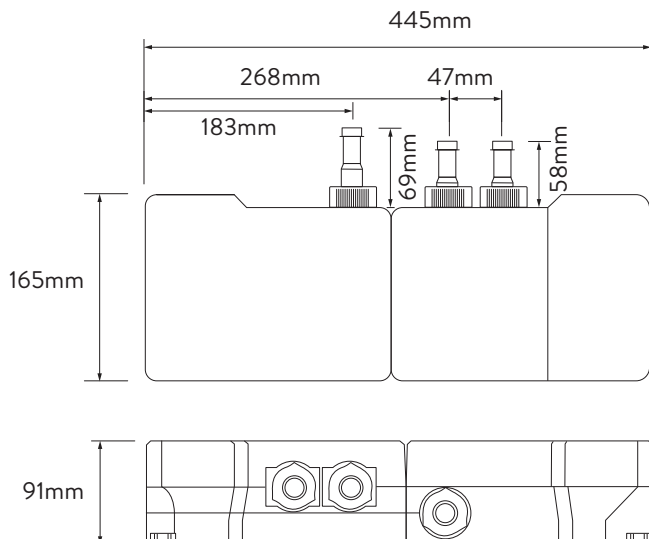
WITH ADJUSTABLE HEAD AND FIXED CEILING
DRENCHER - GRAVITY PUMPED

DIMENSIONAL DRAWINGS



PROCESSOR

DIVERTER



The company reserves the right to alter, change or modify the product or product specifications without prior warning. Please refer to the installation guides for technical information.

AQUALISA

ISYSTEM™

DUAL OUTLET CONCEALED

ISD.A2.BV.
DVFC.14

WITH ADJUSTABLE HEAD AND FIXED CEILING
DRENCHER - GRAVITY PUMPED

TECHNICAL SPECIFICATIONS

| | |
|--|---|
| Minimum pressure requirements | Processor must be sited no higher than the base level of the cold water cistern (Gravity Pumped) |
| Maximum pressure requirements | 1bar (Gravity) |
| Processor inlet fitting connections | 15mm push fit |
| Valve inlet centres | 48mm |
| Inlet supply positions | Hot right, cold left |
| Processor outlet fitting connection | 15mm push fit |
| Permissible processor sitting location | Loft, airing cupboard, under bath |
| Supply temperature | Cold inlet temperature 1°C (minimum) Cold inlet temperature 15°C (maximum) Hot inlet temperature 65°C (maximum) |
| Water system | Gravity |
| Features | One touch start/stop control |
| | LED display indicates when pre-selected temperature has been reached |
| | Compatible with wired remote control |
| | On installation, you can select the shower outlet you want to start first every time |
| | Digital diverter technology |
| Colour | Chrome |
| Guarantee period | 5-year guarantee – shower unit |
| | 2-year guarantee – shower head and kit |
| Approvals | CE Marking |
| | BEAB |