

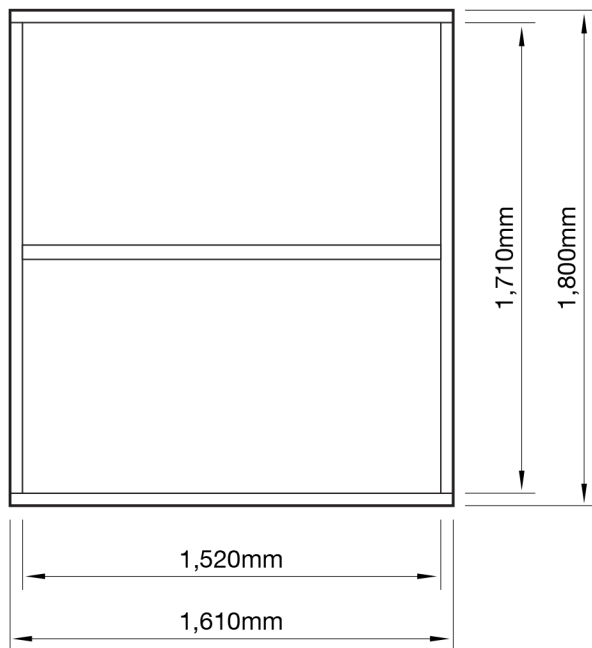
Materials Checklist

QTY	Material	<input checked="" type="checkbox"/>
18	Redwood PSE Treated Timber 44 x 44 x 2400mm	<input type="checkbox"/>
40	Deck Board 25 x 120mm x 1.8m	<input type="checkbox"/>
5	Timber Fence Post 75 x 75mm x 2.4m	<input type="checkbox"/>
12	Feather Edge Fence Board 11 x 150mm x 1.8m	<input type="checkbox"/>
1	Treated Kiln Dried Timber 45 x 95mm x 2.4m	<input type="checkbox"/>
201	8 x 64mm Decking Screws	<input type="checkbox"/>
53	5 x 80mm Wood Screws	<input type="checkbox"/>
40	4 x 40mm Wood Screws	<input type="checkbox"/>
1	Clear Wood Preserver	<input type="checkbox"/>

Screws and wood preserver are not included.

We recommend studying the cutting list for efficiency before construction begins in order to optimise the cut lengths.

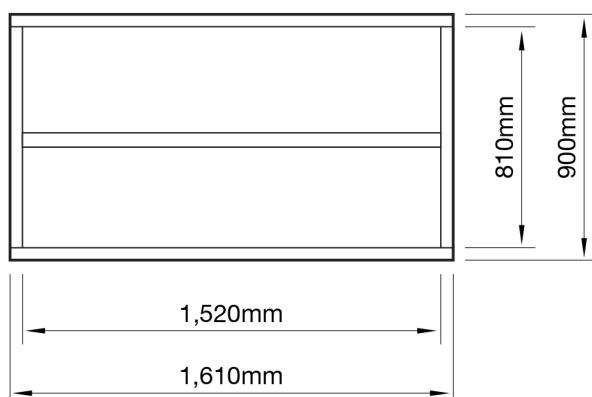
Cutting List



Back Panel

44 x 44 x 2400mm Redwood PSE Treated Timber PSE [cut to:](#)
 2x 1,610mm
 2x 1,710mm
 1x 1,520mm

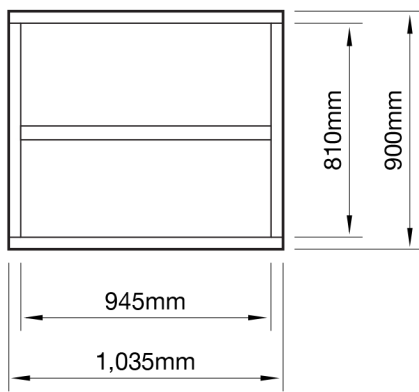
14x 25 x 120mm x 1.8m Deck Board fitted vertically with the grooves on the outside*
70x 8 x 64mm Decking Screws to fix the Deck Board to the frame
6x 5 x 80mm Wood Screws for assembling the frame
9x 5 x 80mm Wood Screws for fixing the frame to the posts
**Remove overhang of last board to fit flush with frame*



Front Panel

44 x 44 x 2400mm Redwood PSE Treated Timber PSE [cut to:](#)
 2x 1,610mm
 2x 810mm
 1x 1,520mm

Cut **7x** 25 x 120mm x 1.8m Deck Board to **900mm** and fit vertically with the grooves on the outside*
70x 8 x 64mm Decking Screws to fix the Deck Board to the frame
6x 5 x 80mm Wood Screws for assembling the frame
6x 5 x 80mm Wood Screws for fixing the frame to the posts
**Remove overhang of last board to fit flush with frame*



Left Panel

44 x 44 x 2400mm Redwood PSE Treated Timber PSE [cut to:](#)
 2x 1,035mm
 2x 810mm
 1x 945mm

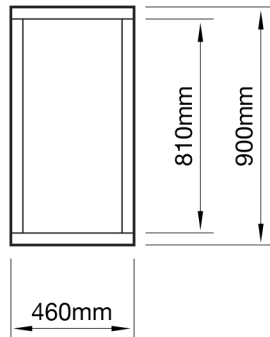
Cut **5x** 25 x 120mm x 1.8m Deck Board to **900mm** and fit 9 boards vertically with the grooves on the outside*

45x 8 x 64mm Decking Screws to fix the Deck Board to the frame

6x 5 x 80mm Wood Screws for assembling the frame

6x 5 x 80mm Wood Screws for fixing the frame to the posts

**Remove overhang of last board to fit flush with frame*



Right Panel (bar entrance)

44 x 44 x 2400mm Redwood PSE Treated Timber PSE [cut to:](#)
 2x 460mm
 2x 810mm

16x 8 x 64mm Decking Screws to fix the Deck Board to the frame
 Cut **2x** 25 x 120mm x 1.8m Deck Board to **900mm** and fit vertically with the grooves on the outside*

4x 5 x 80mm Wood Screws for assembling the frame

4x 5 x 80mm Wood Screws for fixing the frame to the posts

**Remove overhang of last board to fit flush with frame*

Roof

44 x 44 x 2400mm Redwood PSE Treated Timber PSE [cut to:](#)
 2x 1,760mm
 3x 1,130mm

12x 11 x 150mm x 1.8m Feather Edge Fence Board [cut to 1,760mm](#)

6x 5 x 80mm Wood Screws for assembling the frame

40x 4 x 40mm Wood Screws to fit Feather Edge to frame

Posts

2x 75 x 75mm x 2.4m Timber Fence Post [cut to 2110mm](#)

2x 75 x 75mm x 2.4m Fence Post [cut to 1820mm](#)

1x 75 x 75mm x 2.4m Fence Post [cut to 900mm](#)

Bar Brackets

1x 45 x 95mm x 2.4m Treated Kiln Dried Timber [cut to 10 x 125mm](#)

Fascia (Top & Bottom)

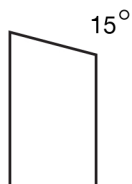
6x 25 x 120mm x 1.8m Deck Board [cut to length](#)

Bar Top

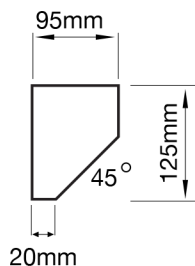
5x 25 x 120mm x 1.8m Deck Board [cut to length](#)

Bar Shelves

1x 25 x 120mm x 1.8m Deck Board offcuts from the fascia
[cut to length](#)



Posts



Bar Brackets