



## Verona Slimline

Height mm	Length mm	Henrad Code	Heat emissions	
			Watts	Btu/hr
<b>1800</b>	320	248300	872	2976
	440	248301	1199	4092
	520	248302	1417	4836
	640	248303	1744	5952
<b>2000</b>	320	248304	978	3338
	440	248305	1344	4587
	520	248306	1589	5423
	640	248307	1956	6676

Btu/hr @  $\Delta t 50^{\circ}\text{C}$



## Technical information

### Testing and Operating Pressures

Henrad Verona Slimline has been independently tested to ensure radiators perform to a maximum working pressure of 4.0 bar.

### Connections

Henrad Verona Slimline has 2 x 1/2" BSP connections (BOE) as standard.

### Paint Process

Two coat paint process, each Henrad radiator is subjected to a multi-stage cleaning and paint process.

The final powder coat is Traffic white (RAL 9016) which is stoved and cooled to give a perfect finish. All radiators are illustrated in Traffic white unless stated.

### Water Treatment

Installation of the system should be properly flushed and fitted in accordance with the British Code of Practice for the Treatment of Water in Domestic Hot Water Central Heating Systems.

### Warranty

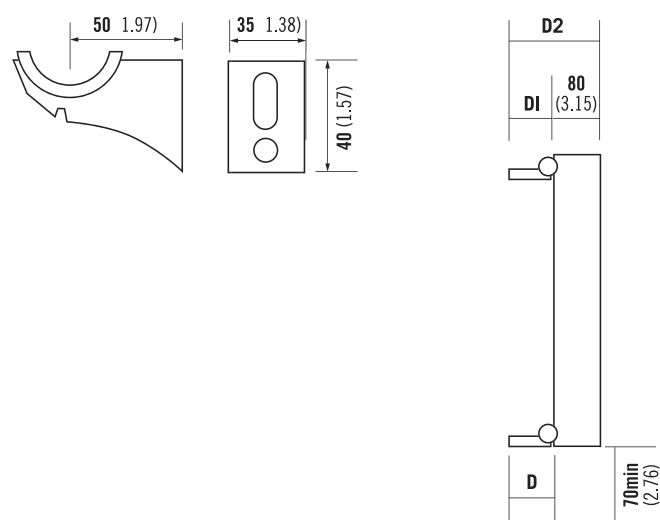
Henrad Verona Slimline comes with a 5 year manufacturer's warranty.

## Henrad Verona Slimline

### Wall Mounting Information

All dimensions in mm. inches in brackets.

Type	Back face to finished wall D	Connection centres from finished wall D1	Front face from finished wall D2
Slimline Concept	35 (1.38)	50 (1.97)	130 (5.12)



### Fixing Positions

All dimensions in mm. inches in brackets.

