

Everest Line Concept

Single Convector Type 11

Height mm	Length mm	Henrad Code	Heat emissions	
			Watts	Btu/hr
600	400	3261104	348	1187
	600	3261106	522	1781
	700	3261107	609	2078
	800	3261108	696	2375
	900	3261109	783	2672
	1000	3261110	870	2968
	1100	3261111	957	3265
	1200	3261112	1044	3562
	1400	3261114	1218	4156

Btu/hr @ $\Delta t 50^{\circ}\text{C}$

Everest Line Concept

Double Convector Type 22

Height mm	Length mm	Henrad Code	Heat emissions	
			Watts	Btu/hr
600	400	3262204	640	2184
	600	3262206	961	3279
	700	3262207	1121	3825
	800	3262208	1281	4371
	900	3262209	1441	4917
	1000	3262210	1601	5463
	1100	3262211	1761	6009
	1200	3262212	1921	6554
	1400	3262214	2241	7646

Btu/hr @ $\Delta t 50^{\circ}\text{C}$



Everest Line Concept is only available
in Slate grey RAL A7015.



Technical information

Testing and Operating Pressures

Henrad Everest Line Concept has been independently tested to ensure these radiators perform to a maximum working pressure of 10.0 bar.

Connections

Henrad Everest Line Concept has 4 x 1/2" BSP connections as standard.

Paint Process

Two coat paint process, each Henrad radiator is subjected to a multi-stage cleaning and paint process.

The final powder coat is Slate grey (RAL A7015) which is stoved and cooled to give a perfect finish.

Water Treatment

Installation of the system should be properly flushed and fitted in accordance with the British Code of Practice for the Treatment of Water in Domestic Hot Water Central Heating Systems.

Warranty

Henrad Everest Line Concept comes with a 5 year manufacturer's warranty.

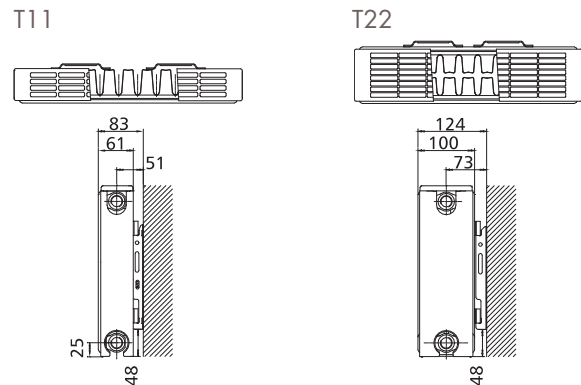
Henrad (UK) Limited, Marriott Road,
Mexborough, South Yorkshire S64 8BN.
Telephone: 0800 876 6813

www.henrad.co.uk

Henrad Everest Line Concept

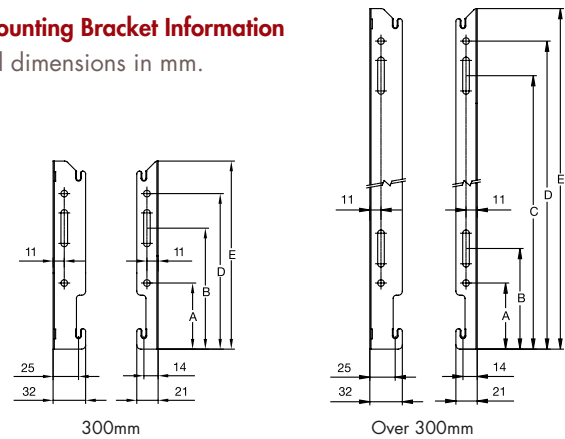
Wall Mounting Information

All dimensions in mm.



Mounting Bracket Information

All dimensions in mm.

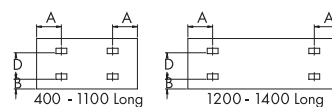


All dimensions in mm.

Height	600
A	65
B	99
C	419
D	453
E	485

T11 & T22 Lug Positions

All dimensions in mm.



Panel Height D	
mm	mm
600	455

T22		T11	
Dimensions	mm	Dimensions	mm
A	133	A	400mm
B	60	A	500 - 3000mm
		B	400 - 3000mm
			60