

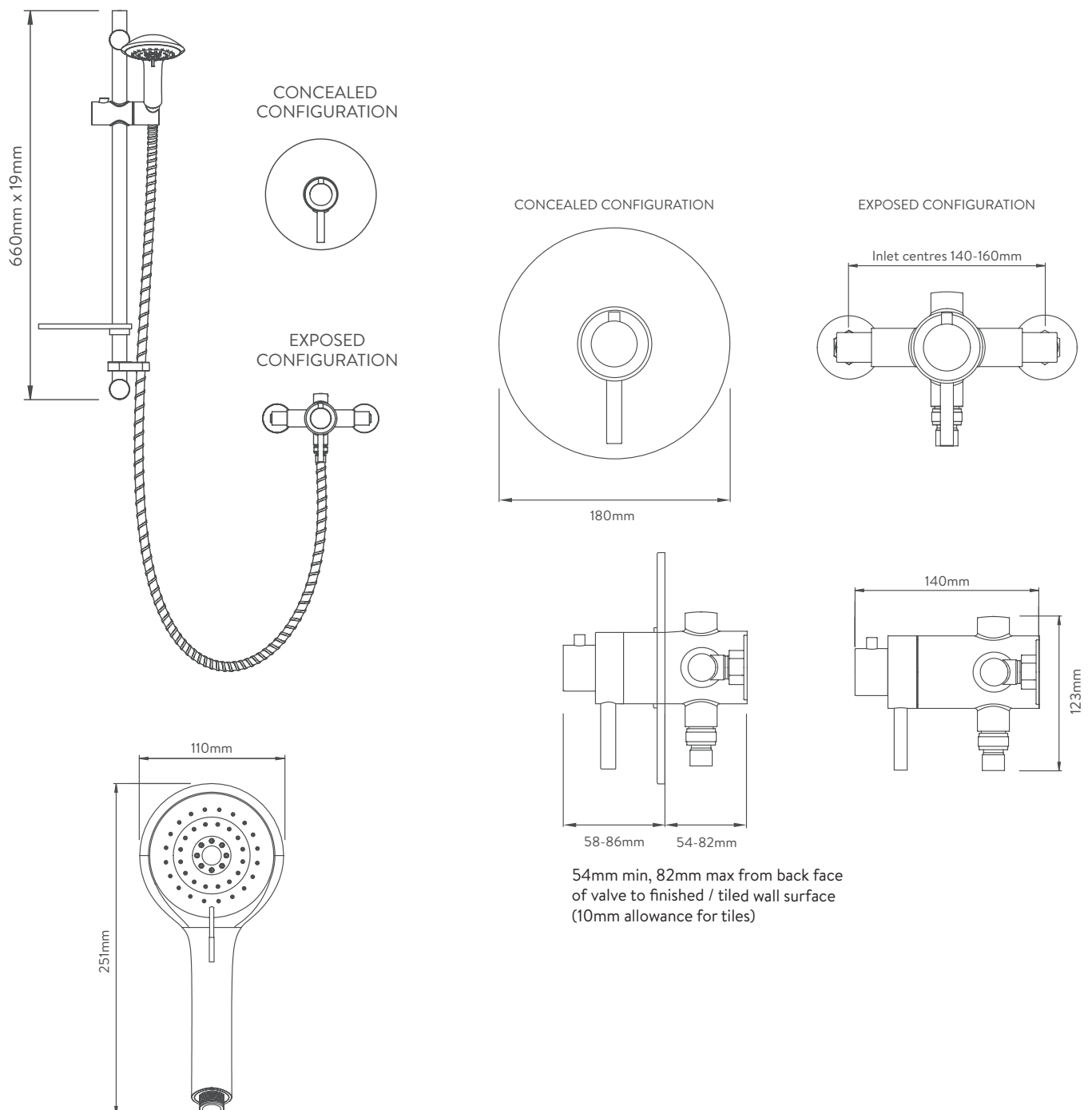
# AQUALISA

## CONCEALED/EXPOSED CONCENTRIC VALVE

AQDL1

LP/HP  
CHROME

### DIMENSIONAL DRAWINGS



# AQUALISA

## CONCEALED/EXPOSED CONCENTRIC VALVE

AQDL1

LP/HP  
CHROME

---

### TECHNICAL SPECIFICATIONS

Minimum pressure requirements	0.15 bar
Maximum pressure requirements	5 bar
Inlet fitting connections	15mm compression
Inlet supply positions	Hot/left, cold/right
Outlet connections	15mm compression
Valve inlet centres	140 - 160mm
Supply temperature	Min 5°C - Recommended 10°C - 15°C Max 65°C - Recommended 60°C - 65°C
Water system	All Water Systems
Features	Dual lever controls for water flow and temperature
	Adjustable inlet centres for ease of fitting and retrofit
	All brass valve with metal controls
	Can be installed in a concealed or exposed configuration, both options supplied in 1 box
	Soft rub nozzles for easy cleaning
	3 spray patterns, easy click spray control
	110mm adjustable head
	1.5m chrome plated stainless steel hose (11mm bore)
Colour	Chrome
Guarantee period	5 year guarantee