

Wickes

HOT AIR GUN

2000W



PHG200B
223737

CONTENTS

GENERAL POWER TOOL SAFETY WARNINGS 3

ADDITIONAL SAFETY INSTRUCTIONS FOR YOUR HEAT GUN 3

COMPONENT LIST 4

ACCESSORIES 4

SYMBOLS 5

TECHNICAL DATA 5

OPERATING INSTRUCTIONS 6

MAINTENANCE 9

TROUBLESHOOTING 9

PLUG REPLACEMENT (ONLY FOR REWIRABLE PLUG OF UK & IRELAND) 10

DECLARATION OF CONFORMITY 11

GENERAL POWER TOOL SAFETY WARNINGS



WARNING! Read all safety warnings and all instructions. Failure to follow the warnings and instructions may result in electric shock, fire and/or serious injury.

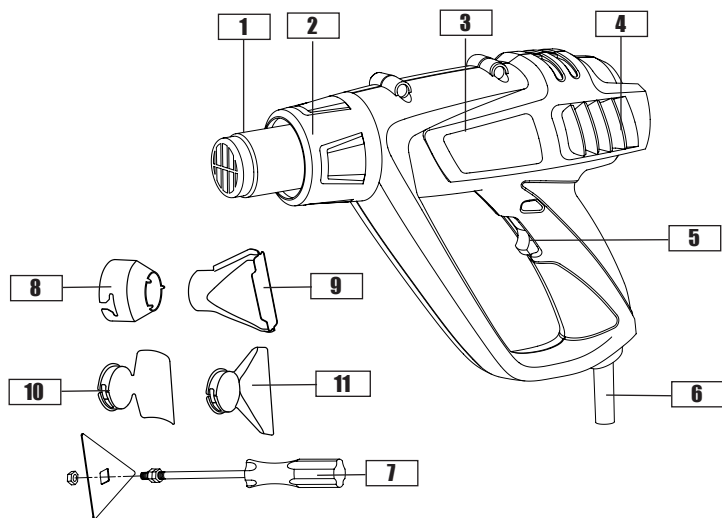
Save all warnings and instructions for future reference.

- This appliance is not intended for use by persons (including children) with reduced physical, sensory or mental capabilities, or lack of experience and knowledge, unless they have been given supervision or instruction concerning use of the appliance by a person responsible for their safety.
 - Children should be supervised to ensure that they do not play with the appliance.
- If the supply cord is damaged, it must be replaced by the manufacturer, its service agent or similarly qualified persons in order to avoid a hazard.

ADDITIONAL SAFETY INSTRUCTIONS FOR YOUR HEAT GUN

1. A fire may result if the appliance is not used with care, therefore
 - be careful when using the hot air gun where there are combustible materials;
 - do not apply to the same place for a long time;
 - do not use in an explosive atmosphere;
 - be aware that heat may be conducted to combustible materials that are out of sight;
 - place the appliance on a non-combustible surface after use and allow it to cool down before storage;
 - do not leave the hot air gun unattended when it is switched on.

COMPONENT LIST



- 1** Nozzle
- 2** Heat protection
- 3** Main body
- 4** Cool air inlet
- 5** On/off switch / Air flow and temperature regulator
- 6** AC Mains Lead

- 7** Scraper
- 8** Concentration nozzle
- 9** Glass protection nozzle
- 10** Hook nozzle
- 11** Flat nozzle

ACCESSORIES

- Scraper 1
- Glass protection nozzle 1
- Flat nozzle 1
- Hook nozzle 1
- Concentration nozzle 1

We recommend that you purchase your accessories from the same store that sold you the tool. Use good quality accessories marked with a well-known brand name. Choose the type according to the work you intend to undertake. Refer to the accessory packaging for further details. Store personnel can assist you and offer advice.

SYMBOLS



Read the manual



Wear dust mask



Warning



Double insulated



Wear ear protection



Waste electrical products must not be disposed of with household waste. Please recycle where facilities exist. Check with your local authorities or retailer for recycling advice.



Wear eye protection

TECHNICAL DATA

Rated Voltage

230-240V-50Hz

Power

2000W

Temperature/Flow rate

I = 70°C, 500L/min

II = 350°C 300L/min

III = 550°C 500L/min

Machine weight

0.6kg

Protection class

□/II

OPERATING INSTRUCTIONS



NOTE: Before using the tool, read the instruction book carefully.

Intended Use

The unit is intended for the forming and welding of plastic, removal of paint and warming of heat-shrinkable tubing. It is also suitable for soldering and tinning, loosening of adhesive joints and the defrosting of water lines.

BEFORE USING THE TOOL

Before starting the job it is advisable to test the workpiece for the ideal temperature to use. The description below gives an indication of the likely heat settings required but always start with the low heat setting.

The distance between the nozzle and the workpiece will vary according to the material being worked on but this should always be at least 50mm (2 inches) or more on either heat setting.

All applications, with the exception of removing paint from the window frames, can be performed without using a nozzle; however for best results nozzles are recommended.

PUTTING INTO OPERATION

1. SWITCHING ON/OFF

Switching on:

To put into operation, slide the switch (5) to position 1, 2 or 3.

Switching off:

To switch off, slide the on/off switch (5) to the stop at position 0.

After working for a long time with a high temperature, allow the gun to cool by running in the lowest temperature setting before switching off.

2. THERMO-PROTECTION SWITCH-OFF

When the heater is overloaded (e.g. as a result of restricted air flow), the unit switches it off automatically, however, the blower continues to run. When the unit has cooled to operating temperature, the heater is switched on again.

3. SETTING THE AIR FLOW AND TEMPERATURE

The switch (5) can be set to three blower steps. Suitable air flow and temperature combinations can be selected according to the applications.

1 = 70°C, 500L/min

2 = 350°C 300L/min

3 = 550°C 500L/min

The warm air setting 1 (70°) is suitable for the drying of paint. It is also suitable for cooling the unit before storage.

The air setting 2 is suitable for bending plastic and heating shrinking plastic.

The air setting 3 is suitable for stripping paint and defrosting pipes.

4. NOZZLES

The kit is supplied with 4 different shaped nozzles, which can be used as follows:

1) CONCENTRATION NOZZLE (See Fig. A)

This nozzle directs a concentrated heat flow to the workpiece. It is ideal for use when removing paint in awkward corners, crevices, mouldings, beading, architraves or whenever precise paint removal is required.

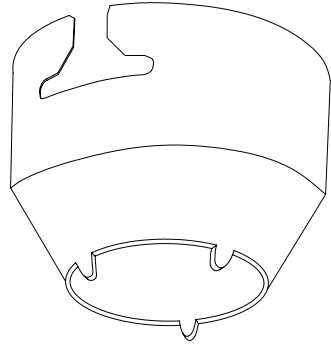


Fig. A

2) FLAT NOZZLE (See Fig. B)

This nozzle directs a long narrow heat pattern to the workpiece, and is ideal for removing paint or varnish from large flat surfaces such as skirting boards, doors, stairs etc. It should be used in conjunction with a flat scraper. Vinyl tiles can be removed by softening the tile and adhesive.

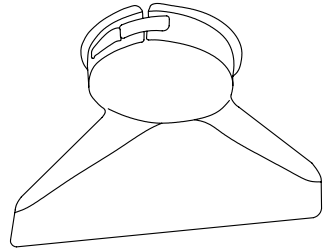


Fig. B

3) GLASS PROTECTION NOZZLE (See Fig. C)

This nozzle deflects the heat away from glass or other fragile areas and back onto the workpiece.

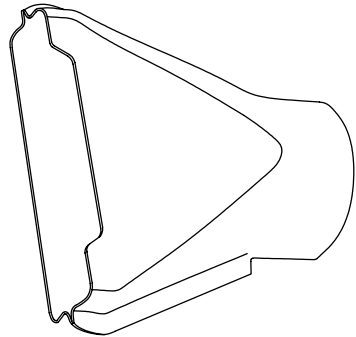


Fig. C

4) HOOK NOZZLE (See Fig. D)

This nozzle disperses the heat flow evenly around the whole workpiece. It is ideal for defrosting frozen pipes, soldering pipe work, bending plastics and heat-shrinking electrical parts.

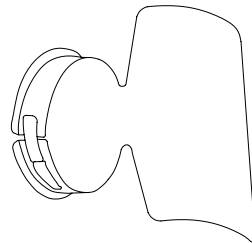


Fig. D

5) SCRAPER (See Fig. E)

Take the handle from the set, remove the nut from the end, and fit the triangle blade in place by refitting and tightening the nut. The triangular scraper is ideal for stripping paint from flat wooden surface and edges. Remember to clean the blade after use with wire wool and lightly oil before storing.

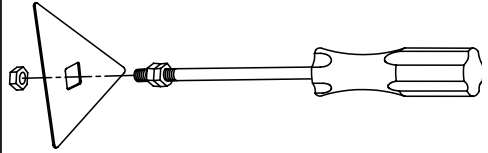


Fig. E

5. REMOVING PAINT (See Fig. F)

Choose the required nozzle and fit onto the heat outlet. Select the scraper required. Hold the gun with the nozzle approximately 50mm (2 inches) from the surface of the paintwork and starting with the lower heat setting, move it slowly backwards and forwards until the paint blisters and bubbles. Immediately remove the paint with the scraper. Aim to heat the paint just ahead of the scraper so that you can develop a continuous action. Do not heat the paint for too long, as this will burn the paint making it difficult to remove.

Most stickers can also be removed from paintwork by using the heat to soften the adhesive. Be careful not to direct the heat for too long if you are trying just to remove the stickers, as this will blister the paint.

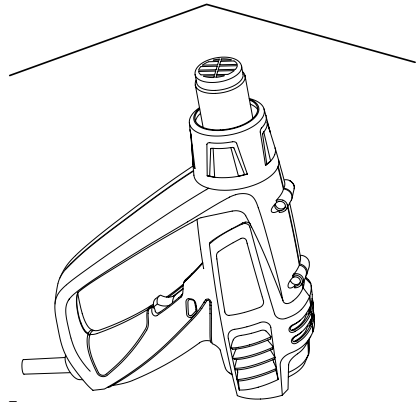


Fig. F

6. REMOVING PAINT FROM WINDOW FRAMES

Always use the glass protection nozzle. Ensure you have the nozzle facing the correct way to deflect the heat away from the glass before you switch on. Rotate the gun or nozzle 90° as you move to horizontal or vertical bead. Allow nozzle to cool before attempting to turn it. Paint can be removed from profile surfaces by using scraper and/or a soft wire brush.



WARNING: Glass can break easily.

7. DEFROSTING FROZEN PIPES

Choose the Hook nozzle and fit over the heat outlet. Always heat from one or other end of the frozen portion, not from the middle.



WARNING: Do not attempt to defrost PVC pipes. Always check that it is a water pipe and not a gas pipe. Do not heat a gas pipe.

8. SHRINK SLEEVING ELECTRICAL CABLES

Choose the Hook nozzle and fit over heat outlet. Select a heat-shrinkable sleeve with a diameter matching that of the workpiece. Evenly heat the sleeve.

9. BENDING PLASTIC TUBE

Choose the Hook nozzle and fit over heat outlet. Turn the gun upside down and place on its clip stand so that it is resting on a secure bench with the nozzle pointing upwards, see picture. To avoid buckling or kinking the tube, fill the tube with dry sand and seal at both ends. Heat the tube evenly by moving from side to side and bend to required shape.



WARNING: Protect hands from heat.

MAINTENANCE

Remove the plug from the socket and allow to cool before carrying out any adjustment or maintenance.

There are no user serviceable parts in your power tool. Never use water or chemical cleaners to clean your power tool. Wipe clean with a dry cloth. Always store your power tool in a dry place. Keep the motor ventilation slots clean. Keep all working controls free of dust. Occasionally you may see sparks through the ventilation slots. This is normal and will not damage your power tool.

If the supply cord is damaged, it must be replaced by the manufacturer, its service agent or similarly qualified persons in order to avoid a hazard.

TROUBLESHOOTING

1. If your heat gun will not operate, check that it is plugged in, switched on and the fuse is intact.
2. If the gun has over-heated and is blowing only cool air, direct the flow away from your workpiece until the heat is restored.
3. If any fault cannot be rectified, please contact the helpline on the back of this booklet.

ENVIRONMENTAL PROTECTION



This product has been marked with a symbol relating to removing electric and electronic waste. This means that this product shall not be discarded with household waste but that it shall be returned to a collection system which conforms to the European Directive 2002/96/CE. It will then be recycled or dismantled in order to reduce the impact on the environment. Electric and electronic equipment can be hazardous for the environment and for human health since they contain hazardous substances

PLUG REPLACEMENT (ONLY FOR REWIRABLE PLUG OF UK & IRELAND)

If you need to replace the fitted plug then follow the instructions below.

IMPORTANT

The wires in the mains lead are colored in accordance with the following code:

Blue = Neutral

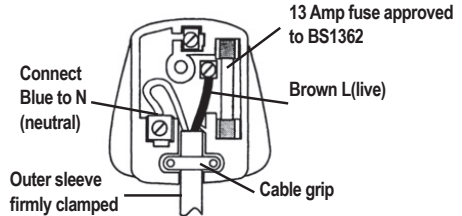
Brown = Live

As the colors of the wires in the mains lead of this appliance may not correspond with the colored markings identifying the terminals in your plug, proceed as follows. The wire which is colored blue must be connected to the terminal which is marked with N. The wire which is colored brown must be connected to the terminal which is marked with L.

Warning!

Never connect live or neutral wires to the earth terminal of the plug. Only fit an approved 13A BS1363/A plug and the correct rated fuse.

Note: If a moulded plug is fitted and has to be removed take great care in disposing of the plug and severed cable, it must be destroyed to prevent engaging into a socket.



DECLARATION OF CONFORMITY

We,
Wickes Building Supplies Limited

Declare that this product: HOT AIR GUN

Description and SKU code: 223737

Complies with the following Directives and Regulations:

2014/30/EU, Electromagnetic Compatibility Directive

2011/65/EU & (EU)2015/863, Restriction of Hazardous Substances Directive

2014/35/EU, Low Voltage Directive

and conforms to the following standards:

Standards specific to this product:

EN 60335-1

EN 60335-2-45

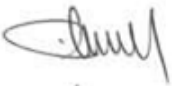
EN 55014-1

EN 55014-2

EN 61000-3-2

EN 61000-3-3

EN 62233



28th January, 2021

Philip Ansell

Category Technical Manager

Wickes

Vision House

19 Colonial Way

Watford

WD24 4JL”

Customer Helpline 0345 2005409