

Wickes

CORDLESS MULTI TOOL

18V LITHIUM



CMT18W.1
223735

CONTENTS

GENERAL POWER TOOL SAFETY WARNINGS 3

GENERAL SAFETY WARNINGS FOR BATTERY CHARGER 6

COMPONENT LIST 7

ACCESSORIES 8

SYMBOLS 8

TECHNICAL DATA 9

NOISE INFORMATION 9

OPERATING INSTRUCTIONS 11

WORKING HINTS FOR YOUR SANDER 14

MAINTENANCE 15


APPLICATION 15

ENVIRONMENTAL PROTECTION 16

DECLARATION OF CONFORMITY 17

ORIGINAL INSTRUCTION

GENERAL POWER TOOL SAFETY WARNINGS

 **WARNING!** Read all safety warnings, instructions, illustrations and specifications provided with this power tool. Failure to follow all instructions listed below may result in electric shock, fire and/or serious injury.

SAVE ALL WARNINGS AND INSTRUCTIONS FOR FUTURE REFERENCE.

The term "power tool" in the warnings refers to your mains-operated (corded) power tool or battery-operated (cordless) power tool.

1. WORK AREA SAFETY

- a) **Keep work area clean and well lit.** Cluttered or dark areas invite accidents.
- b) **Do not operate power tools in explosive atmospheres, such as in the presence of flammable liquids, gases or dust.** Power tools create sparks which may ignite the dust or fumes.
- c) **Keep children and bystanders away while operating a power tool.** Distractions can cause you to lose control.

2. ELECTRICAL SAFETY

- a) **Power tool plugs must match the outlet. Never modify the plug in any way. Do not use any adapter plugs with earthed (grounded) power tools.** Unmodified plugs and matching outlets will reduce risk of electric shock.
- b) **Avoid body contact with earthed or grounded surfaces, such as pipes, radiators, ranges and refrigerators.** There is an increased risk of electric shock if your body is earthed or grounded.
- c) **Do not expose power tools to rain or wet conditions.** Water entering a power tool will increase the risk of electric shock.
- d) **Do not abuse the cord. Never use the cord for carrying, pulling or unplugging the power tool. Keep cord away from heat, oil, sharp edges or moving parts.** Damaged or entangled cords increase the risk of electric shock.
- e) **When operating a power tool outdoors, use an extension cord suitable for outdoor use.** Use of a cord suitable for outdoor use reduces the risk of electric shock.
- f) **If operating a power tool in a damp location is unavoidable, use a residual current device (RCD) protected supply.** Use of an RCD reduces the risk of electric shock.

3. PERSONAL SAFETY

- a) **Stay alert, watch what you are doing and use common sense when operating a power tool. Do not use a power tool while you are tired or under the influence of drugs, alcohol or medication.** A moment of inattention while operating power tools may result in serious personal injury.
- b) **Use personal protective equipment. Always wear eye protection.** Protective equipment such as dust mask, non-skid safety shoes, hard hat, or hearing protection used for appropriate conditions will reduce personal injuries.
- c) **Prevent unintentional starting. Ensure the switch is in the off-position before connecting to power source and/or battery pack, picking up or carrying the tool.** Carrying power tools with your finger on the switch or energising power tools that have the switch on invites accidents.
- d) **Remove any adjusting key or wrench before turning the power tool on.** A wrench or a key left attached to a rotating part of the power tool may result in personal injury.
- e) **Do not overreach. Keep proper footing and balance at all times.** This enables better control of the power tool in unexpected situations.
- f) **Dress properly. Do not wear loose clothing or jewellery. Keep your hair and clothing away from moving parts.** Loose clothes, jewellery or long hair can be caught in moving parts.
- g) **If devices are provided for the connection of dust extraction and collection facilities, ensure these are connected and properly used.** Use of dust collection can reduce dust-related hazards.
- h) **Do not let familiarity gained from frequent use of tools allow you to become complacent and ignore tool safety principles.** A careless action can cause severe injury within a fraction of a second.

4. POWER TOOL USE AND CARE

- a) **Do not force the power tool. Use the correct power tool for your application.** The correct power tool will do the job better and safer at the rate for which it was designed.
- b) **Do not use the power tool if the switch does not turn it on and off.** Any power tool that cannot be controlled with the switch is dangerous and must be repaired.
- c) **Disconnect the plug from the power source and/**

GENERAL POWER TOOL SAFETY WARNINGS

or remove the battery pack, if detachable, from the power tool before making any adjustments, changing accessories, or storing power tools.

Such preventive safety measures reduce the risk of starting the power tool accidentally.

- d) Store idle power tools out of the reach of children and do not allow persons unfamiliar with the power tool or these instructions to operate the power tool.** *Power tools are dangerous in the hands of untrained users.*
- e) Maintain power tools and accessories. Check for misalignment or binding of moving parts, breakage of parts and any other condition that may affect the power tool's operation. If damaged, have the power tool repaired before use.** *Many accidents are caused by poorly maintained power tools.*
- f) Keep cutting tools sharp and clean.** *Properly maintained cutting tools with sharp cutting edges are less likely to bind and are easier to control.*
- g) Use the power tool, accessories and tool bits etc. in accordance with these instructions, taking into account the working conditions and the work to be performed.** *Use of the power tool for operations different from those intended could result in a hazardous situation.*
- h) Keep handles and grasping surfaces dry, clean and free from oil and grease.** *Slippery handles and grasping surfaces do not allow for safe handling and control of the tool in unexpected situations.*

5. BATTERY TOOL USE AND CARE

- a) Recharge only with the charger specified by the manufacturer.** *A charger that is suitable for one type of battery pack may create a risk of fire when used with another battery pack.*
- b) Use power tools only with specifically**

designated battery packs. *Use of any other battery packs may create a risk of injury and fire.*

- c) When battery pack is not in use, keep it away from other metal objects, like paper clips, coins, keys, nails, screws or other small metal objects, that can make a connection from one terminal to another.** *Shorting the battery terminals together may cause burns or a fire.*
- d) Under abusive conditions, liquid may be ejected from the battery; avoid contact. If contact accidentally occurs, flush with water. If liquid contacts eyes, additionally seek medical help.** *Liquid ejected from the battery may cause irritation or burns.*
- e) Do not use a battery pack or tool that is damaged or modified.** *Damaged or modified batteries may exhibit unpredictable behaviour resulting in fire, explosion or risk of injury.*
- f) Do not expose a battery pack or tool to fire or excessive temperature.** *Exposure to fire or temperature above 130 °C may cause explosion.*
- g) Follow all charging instructions and do not charge the battery pack or tool outside the temperature range specified in the instructions.** *Charging improperly or at temperatures outside the specified range may damage the battery and increase the risk of fire.*

6. SERVICE

- a) Have your power tool serviced by a qualified repair person using only identical replacement parts.** *This will ensure that the safety of the power tool is maintained.*
- b) Never service damaged battery packs.** *Service of battery packs should only be performed by the manufacturer or authorized service providers.*

SAFETY INSTRUCTION FOR CUTTING

- a) Hold the power tool by insulated gripping surfaces, when performing an operation where the cutting accessory may contact hidden wiring.** *Cutting accessory contacting a "live" wire may make exposed metal parts of the power tool "live" and could give the operator an electric shock.*

SAFETY WARNINGS FOR BATTERY PACK

- a) **Do not dismantle, open or shred cells or battery pack.**
- b) **Do not short-circuit a battery pack. Do not store battery packs haphazardly in a box or drawer where they may short-circuit each other or be short-circuited by conductive materials.** *When battery pack is not in use, keep it away from other metal objects, like paper clips, coins, keys, nails, screws or other small metal objects, that can make a connection from one terminal to another. Shorting the battery terminals together may cause burns or a fire.*
- c) **Do not expose battery pack to heat or fire. Avoid storage in direct sunlight.**
- d) **Do not subject battery pack to mechanical shock.**
- e) **In the event of battery leaking, do not allow the liquid to come into contact with the skin or eyes. If contact has been made, wash the affected area with copious amounts of water and seek medical advice.**
- f) **Seek medical advice immediately if a cell or battery pack has been swallowed.**
- g) **Keep battery pack clean and dry.**
- h) **Wipe the battery pack terminals with a clean dry cloth if they become dirty.**
- i) **Battery pack needs to be charged before use. Always refer to this instruction and use the correct charging procedure.**
- j) **Do not maintain battery pack on charge when not in use.**
- k) **After extended periods of storage, it may be necessary to charge and discharge the battery pack several times to obtain maximum performance.**
- l) **Battery pack gives its best performance when it is operated at normal room temperature (20 °C ± 5 °C).**
- m) **When disposing of battery packs, keep battery packs of different electrochemical systems separate from each other.**
- n) **Recharge only with the charger specified by manufacturer. Do not use any charger other than that specifically provided for use with the equipment.** *A charger that is suitable for one type of battery pack may create a risk of fire when used with another battery pack.*
- o) **Do not use any battery pack which is not designed for use with the equipment.**
- p) **Keep battery pack out of the reach of children.**
- q) **Retain the original product literature for future reference.**
- r) **Remove the battery from the equipment when not in use.**
- s) **Dispose of properly.**
- t) **Do not mix cells of different manufacture, capacity, size or type within a device.**
- u) **Do not remove battery pack from its original packaging until required for use.**
- v) **Observe the plus (+) and minus (-) marks on the battery and ensure correct use.**

GENERAL SAFETY WARNINGS FOR BATTERY CHARGER

 **WARNING! Read all safety warnings and all instructions.** Failure to follow the warnings and instructions may result in electric shock, fire and/or serious injury.

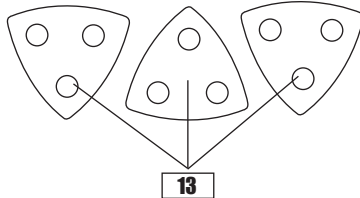
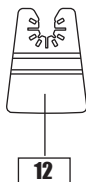
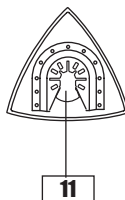
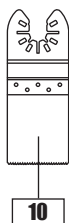
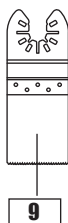
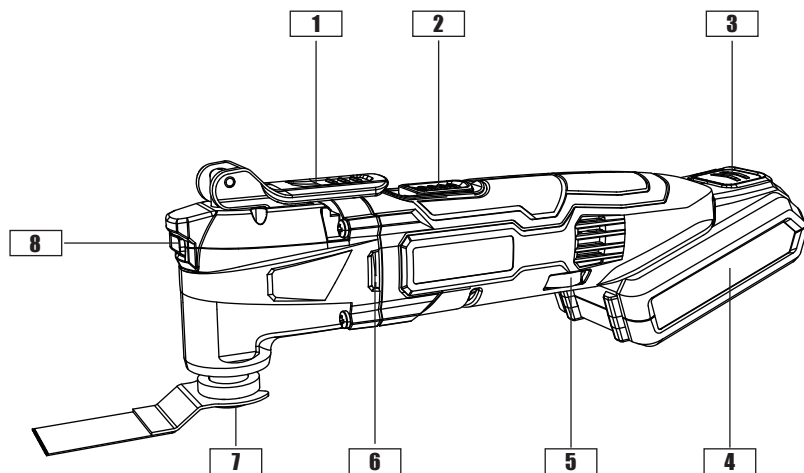
Save all warnings and instructions for future reference.

This appliance can be used by children aged from 8 years and above and persons with reduced physical, sensory or mental capabilities or lack of experience and knowledge if they have been given supervision or instruction concerning use of the appliance in a safe way and understand the hazards involved. Children shall not play with the appliance. Cleaning and user maintenance shall not be made by children without supervision.

Additional safety instructions for your battery charger

1. Before charging, read the instructions.
2. Do not charge a leaking battery.
3. Do not use chargers for purposes other than those for which they are designed.
4. Before charging, ensure your local power supply matches that required for your charger.
5. For indoor use only.
6. The charging device must be protected from moisture.
7. Do not short out the contacts of battery or charger.
8. Respect the polarity “+/-” when charging.
9. Do not open the unit
10. Keep out of the reach of children.
11. Ensure that the connection between the battery charger and battery is correctly positioned and is not obstructed by foreign bodies.
12. Keep battery charger's slots are free of foreign objects and protect against dirt and humidity. Store in a dry and frost-free place.
13. When charging batteries, ensure that the battery charger is in a well-ventilated area and away from inflammable materials. Batteries can get hot during charging. Do not overcharge any batteries. Ensure that batteries and chargers are not left unsupervised during charging.
14. Do not recharge non-rechargeable batteries, as they can overheat and break.
15. Longer life and better performance can be obtained if the battery pack is charged when the air temperature is between 18°C and 24°C. Do not charge the battery pack in air temperatures below 0°C, or above 40°C. This is important as it can prevent serious damage to the battery pack.
16. Charge only battery pack of the same model provided by manufacturer and of models recommended by manufacturer.

COMPONENT LIST



- 1** Tool-less accessory clamping lever
- 2** On/off switch
- 3** Battery pack release button
- 4** Battery pack
- 5** Variable speed control
- 6** Venting slot
- 7** Flange

- 8** LED light
- 9** 35mm wood cutting blade
- 10** 32mm metal cutting blade
- 11** Rigid scraping blade
- 12** Sanding pad
- 13** Sanding paper
- 14** Charger (See Fig. C)

ACCESSORIES

1 hr charger (ACG118W3)	1
2.0 Ah Li-ion battery pack (ABP1820HW)	1
35mm wood cutting blade	1
32mm metal cutting blade (Bi-metal)	1
Rigid scraping blade	1
Sanding pad	1
Sanding paper (60/80/120 grit)	3

We recommend that you purchase your accessories from the same store that sold you the tool. Refer to the accessory packaging for further details. Store personnel can assist you and offer advice.

SYMBOLS



To reduce the risk of injury, read all of this instruction manual



Warning



Wear ear protection



Wear eye protection



Wear dust mask



Indoor use only



Do not burn



Batteries may enter water cycle if disposed improperly, which can be hazardous for ecosystem. Do not dispose of waste batteries as unsorted municipal waste.



Read the operator's manual.



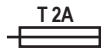
Li-ion



Li-ion battery. This product has been marked with a symbol relating to 'separate collection' for all battery packs and battery pack. It will then be recycled or dismantled in order to reduce the impact on the environment. Battery packs can be hazardous for the environment and for human health since they contain hazardous substances.



Double insulated



T 2A Fuse



Positive terminal




Negative terminal



Waste electrical products must not be disposed of with household waste. Please recycle where facilities exist. Check with your local authorities or retailer for recycling advice.

TECHNICAL DATA

Voltage	18V- Nominal 
No load speed	5000-20000/min
Oscillations angle	3.2°
Machine weight (With battery pack)	1.2kg
Charger Protection class	 /II
Charging time	1hr
Charger Input	100-240V~50/60Hz, 55W
Charger Output	20VDC 2.0A
Battery capacity	2.0Ah Li-ion battery
Battery Model	ABP1820HW
Charger Model	ACG118W3

For additional battery technical data, refer to the rating plate on the battery pack.

NOISE INFORMATION

A weighted sound pressure	L_{pA} : 78.6 dB(A)
A weighted sound power	L_{wA} : 89.6 dB(A)
K_{pA} & K_{wA}	3.0 dB(A)

Wear ear protection.


VIBRATION INFORMATION

Vibration total values (triax vector sum) determined according to EN 62841:

Vibration emission value	$a_h = 2.767 \text{ m/s}^2$
	Uncertainty $K = 1.5 \text{ m/s}^2$

The declared vibration total value and the declared noise emission value have been measured in accordance with a standard test method and may be used for comparing one tool with another.

The declared vibration total value and the declared noise emission value may also be used in a preliminary assessment of exposure.

 **WARNING!** The vibration and noise emissions during actual use of the power tool can differ from the declared value depending on the ways in which the tool is used especially what kind of workpiece is processed dependant on the following examples and other variations on how the tool is used:

How the tool is used and the materials being cut or drilled.


The tool being in good condition and well maintained.

The use of the correct accessory for the tool and ensuring it is sharp and in good condition.

The tightness of the grip on the handles and if any anti vibration and noise accessories are used.

And the tool is being used as intended by its design and these instructions.

This tool may cause hand-arm vibration syndrome if its use is not adequately managed.

 **WARNING!** To be accurate, an estimation of exposure level in the actual conditions of use should also take account of all parts of the operating cycle such as the times when the tool is switched off and when it is running idle but not actually doing the job. This may significantly reduce the exposure level over the total working period, helping to minimize your vibration exposure risk.

Always use sharp chisels, drills and blades.

Maintain this tool in accordance with these instructions and keep well lubricated (where appropriate).

If the tool is to be used regularly then invest in anti vibration and noise accessories.

Plan your work schedule to spread any high vibration tool use across a number of days.

OPERATING INSTRUCTIONS



NOTE: Before using the tool, read the instruction book carefully.

Intended Use

The power tool is intended for sawing and separating wooden materials, plastic, plaster, non-ferrous metals and fasteners (e.g. nails and clamps) as well as for working on soft wall tiles and for dry grinding of small surfaces. It is especially suitable for working close to edges and for flush cutting.

ASSEMBLY

1. MOUNTING THE ACCESSORIES (SEE FIG. A1-A3)

WARNING: Before mounting or replacing application tools or accessories, remove the battery pack. This preventative safety measure eliminates danger from accidentally starting the power tool.

WARNING: For all work or when changing accessories, always wear protective gloves. Avoid danger of injury from the sharp edges of the accessories. Accessories can become very hot while working, presenting danger of burns!

WARNING: To reduce the risk of injury, do not let the sharp side of the accessory face back toward the user's hand.

The tool free system makes you change the accessories without using an allen key.

- Mounting the end cut blade

- 1) Flip the tool-less accessory clamping lever forward to the open position.
- 2) Rotate the lever counterclockwise to loosen the flange.
- 3) Insert the blade onto the accessory interface, then press down the flange with finger to keep blade temporarily secure.
- 4) Rotate the lever clockwise until accessory is tightened securely.
- 5) Flip lever back down.
- 6) Return lever to seated position.

- Mounting the rigid scraping blade

Follow the steps of mouting the end cut blade.

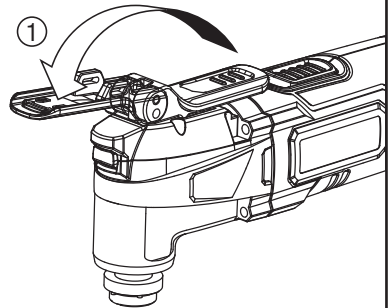


Fig. A1

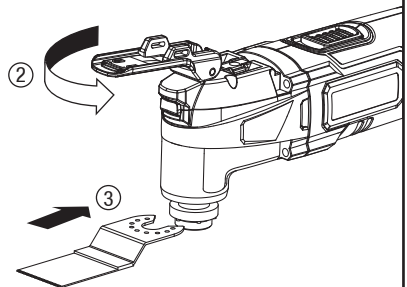


Fig. A2

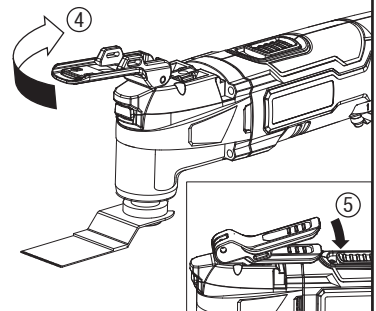


Fig. A3

2. MOUNTING/CHANGING THE SANDING PAPER (SEE FIG. B)

- 1) Mount the sanding pad following the steps of mounting the end cut blade.
- 2) Align the sanding paper and press it onto the sanding pad by hand.
- 3) Firmly press the power tool with the sanding paper against a flat surface and briefly switch the power tool on. This provides for good adhesion and prevents premature wear.
- 4) If one point has become worn, pull off the sanding paper, turn it 120° and place it on again.

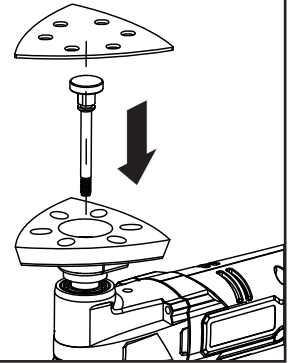


Fig. B

BEFORE PUTTING INTO OPERATION

1. CHARGING THE BATTERY PACK

WARNING: The charger and battery pack are specially designed to work together so do not attempt to use any other devices. Never insert or allow metallic objects into your charger or battery pack connections because an electrical failure and hazard will occur.

NOTE:

- a) If the battery pack is very hot you must remove your battery pack from the charger and allow your battery pack to cool first to ambient temperature and then recharging can be started.
- b) The battery must be fully charged before storage. If the tool is not used for long periods, recharge the battery at least every 3-6 months.

2. HOW TO CHARGE YOUR BATTERY PACK (SEE FIG. C)

CHARGING PROCEDURE

- 1) Plug the charger (14) into an appropriate outlet. The light will be green.
- 2) Slide the battery pack into the charger, the light will turn to red to indicate the charging process has started.
- 3) When charging is completed, the light will turn to green. The pack is now fully charged, unplug the charger and remove the battery pack.

WARNING: If the battery pack is warm e.g. after continuous use or after exposure to direct sunlight or heat, allow time to cool down before re-charging to achieve the full charge.

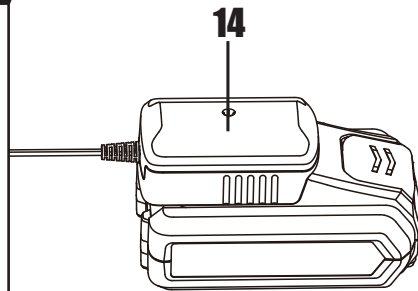


Fig. C

CHARGING INDICATOR

Light	Status
Red on ● []	Charging
Green on ● []	Fully Charged

3. TO REMOVE THE BATTERY PACK (SEE FIG. D1)

Depress the battery pack release button firmly first and then slide the battery pack out from your tool.

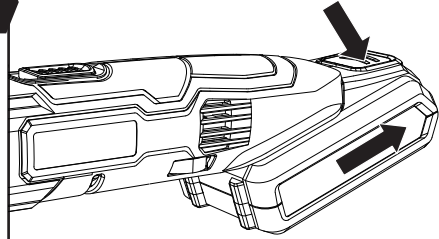


Fig. D1

4. TO INSTALL THE BATTERY PACK (SEE FIG. D2)

Slide the fully charged battery pack onto the tool with sufficient force until it clicks into position.

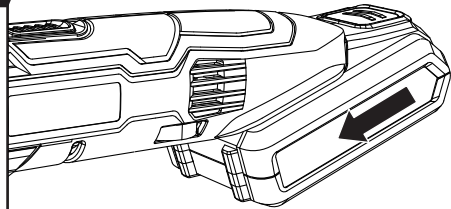


Fig. D2

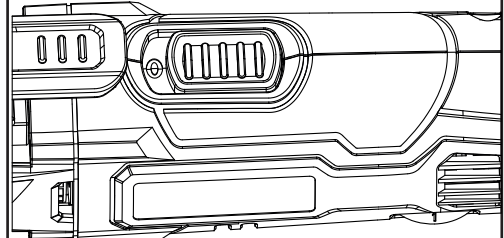
OPERATION

1. ON/OFF SWITCH (SEE FIG. E)

To start the machine, push the On/Off switch forward so that the “1” mark is indicated on the switch.
To switch off the machine, push the On/Off switch toward the rear so that the “O” mark is indicated on the switch.

Fig. E

ON ↔ OFF



2. USING THE VARIABLE SPEED CONTROL (SEE FIG. F)

Select oscillation frequency (speed) while the motor is running.
The variable speed control can be used to set the optimum oscillating frequency according to the accessories used and the respective application.
High oscillation frequency: Sanding, sawing, rasping and polishing stone and metal.
Low oscillation frequency: Polishing varnishes.

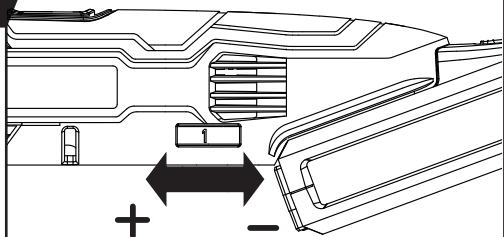


Fig. F

3. LED LIGHT (SEE FIG. G)

The LED light allows you to keep a clear view under less illuminated circumstances. To turn on the light simply press the on/off switch. When you release the on/off switch, the light will be off.

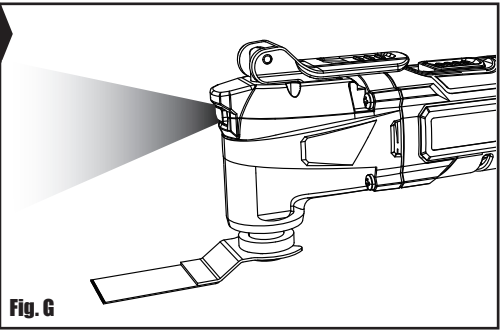


Fig. G

4. SELECTING A BLADE (SEE FIG. H)

Refer to Fig. H for the applicable blade (relate to the fitting hole pattern) for your machine.

NOTE: Please use only accessories designed for your machine. Do not attempt to use incompatible accessories.

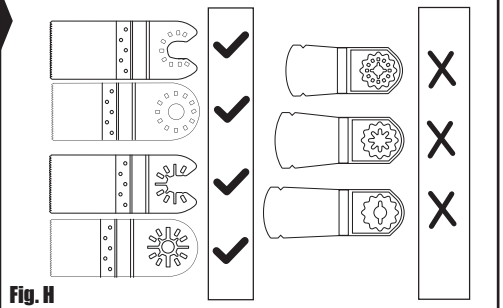


Fig. H

WORKING HINTS FOR YOUR TOOL

1. If your power tool becomes too hot, especially when used at low speed, set the speed to maximum and run it with no load for 2-3 minutes to cool the motor. Avoid prolonged usage at very low speeds. Always keep the blade sharp.
2. Always ensure the work-piece is firmly held or clamped to prevent movement.
3. Any movement of the material may affect the quality of the cutting or sanding finish.
4. Start your tool before working and turn it off only after you stop working.
5. Do not start sanding without having the sandpaper fitted.
6. Do not allow the sandpaper to wear away, it will damage the sanding pad. The guarantee does not cover sanding pad wear and tear.
7. Use coarse grit paper to sand rough surfaces, medium grit for smooth surfaces and fine grit for finishing surfaces. If necessary, first make a test run on scrap material.
8. Excessive force will reduce the working efficiency and cause motor overload. Replacing the accessory regularly will maintain optimum working efficiency.

MAINTENANCE

Remove the battery pack from the tool before carrying out any adjustment, servicing or maintenance.

Your tool requires no additional lubrication or maintenance.

There are no user serviceable parts in your power tool. Never use water or chemical cleaners to clean your power tool.

Wipe clean with a dry cloth. Always store your power tool in a dry place. Keep the motor ventilation slots clean. Keep all working controls free of dust. Occasionally you may see sparks through the ventilation slots. This is normal and will not damage your power tool.

Remove the battery pack from the tool if the tool is not used for more than 24 hours.



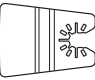
For Battery tools

The ambient temperature range for the use and storage of tool and battery is 0°C-45°C.

The recommended ambient temperature range for the charging system during charging is 0°C-40°C.

APPLICATION

Warning: The sawing teeth are very sharp. Do not touch during mounting and application. The workpiece must be clamped tightly before it is cut.

	Pic	Description	Application
Sawing		Universal Metal/Wood End Cut Blade	Wood, plastic, fiberglass, nails, non-ferrous metals, thin sheet metal, hardened fillers
		Standard Wood End Cut Blade	Wood, plastic, drywall
		Precision Wood Cut Blade	Wood, soft plastics
Sanding		Sanding Pad (Perforated)	Wood, plastic, hardened fillers
Scraping		Rigid Scraper Blade	Old paint, hardened adhesives, caulk, carpet

NOTE: When plunging and sawing use a slight pendulum motion, to allow sufficient chip removal. The saw blade lasts longer if the wear is distributed evenly. To ensure an even distribution, loosen the saw blade, rotate it and retighten firmly.

Cut/Sand with a constant movement and light pressure. Heavy pressure does not increase the cut/removal rate - the accessory merely wears faster. Excessive use and heat build up drastically reduces the life of saw blades.

ENVIRONMENTAL PROTECTION



Waste electrical products must not be disposed of with household waste. Please recycle where facilities exist. Check with your local authorities or retailer for recycling advice.



DECLARATION OF CONFORMITY

We,
Wickes Building Supplies Limited

Declare that this product: CORDLESS MULTI TOOL

Description and SKU code: 223735

Complies with the following Directives and Regulations:

2006/42/EC, Machinery Directive

2014/30/EU, Electromagnetic Compatibility Directive

2011/65/EU & (EU)2015/863 (RoHS), Restriction of Hazardous Substances Directive

2014/35/EU, Low Voltage Directive

and conforms to the following standards:

Standards specific to this product:

EN 62841-1

EN 62841-2-4

EN 55014-1

EN 55014-2

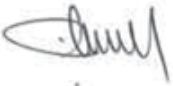
EN 61000-3-2

EN 61000-3-3

EN 60335-1

EN 60335-2-29

EN 62233



28th January, 2021

Philip Ansell

Category Technical Manager

Wickes

Vision House

19 Colonial Way

Watford

WD24 4JL"

Customer Helpline 0345 2005409