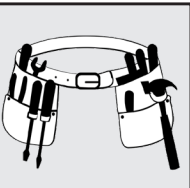
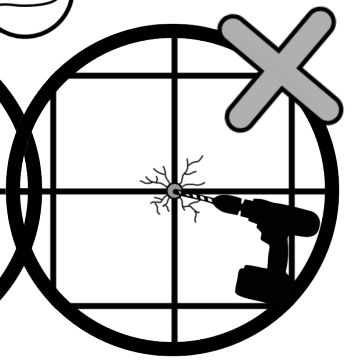
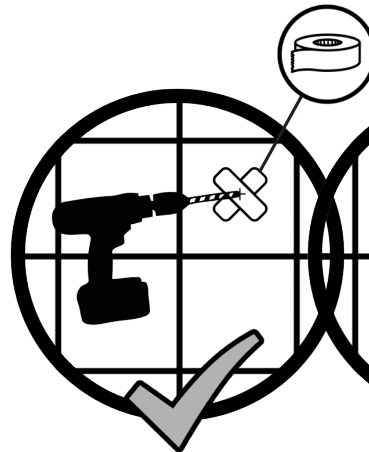
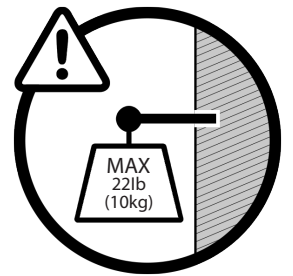
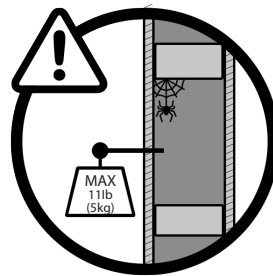
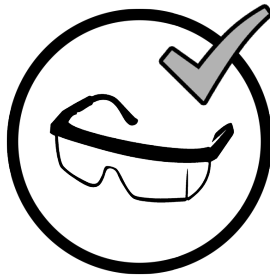
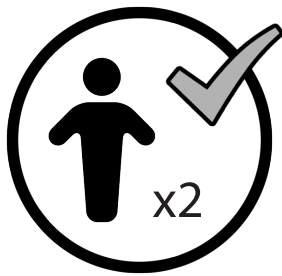


	A.	B.	C.
WC736005	15 ³ / ₄ " (400mm)	11 ¹³ / ₁₆ " (300mm)	4 ²³ / ₃₂ " (120mm)
WC746005	26 ³ / ₈ " (670mm)	14 ¹⁶ / ₆₄ " (380mm)	4 ²³ / ₃₂ " (120mm)
WC756105	26 ³ / ₈ " (670mm)	19 ¹¹ / ₁₆ " (500mm)	4 ²³ / ₃₂ " (120mm)
WC776105	29 ⁹ / ₆₄ " (740mm)	19 ¹¹ / ₁₆ " (500mm)	4 ²³ / ₃₂ " (120mm)
WC766105	27 ⁹ / ₁₆ " (700mm)	17 ²³ / ₃₂ " (450mm)	10 ⁵ / ₈ " (270mm)
WC796005	59 ¹ / ₁₆ " (1500mm)	11 ¹³ / ₁₆ " (300mm)	4 ²³ / ₃₂ " (120mm)
WC826005	19 ¹¹ / ₁₆ " (500mm)	13 ²⁵ / ₃₂ " (350mm)	6 ⁵ / ₁₆ " (160mm)
WC836005	19 ¹¹ / ₁₆ " (500mm)	19 ¹¹ / ₁₆ " (500mm)	4 ¹¹ / ₃₂ " (110mm)
WC846005	15 ³ / ₄ " (400mm)	9 ²⁷ / ₃₂ " (250mm)	5 ¹ / ₈ " (130mm)
WC856005	15 ³ / ₄ " (400mm)	11 ¹³ / ₁₆ " (300mm)	4 ²³ / ₃₂ " (120mm)
WC866105	17 ²¹ / ₆₄ " (440mm)	16 ¹⁵ / ₁₆ " (430mm)	6 ⁵ / ₁₆ " (160mm)
WC870105	25 ¹⁹ / ₃₂ " (650mm)	17 ²³ / ₃₂ " (450mm)	3 ¹⁵ / ₁₆ " (100mm)
WC970005	19 ¹¹ / ₁₆ " (500mm)	19 ¹¹ / ₁₆ " (500mm)	4 ¹¹ / ₃₂ " (110mm)
WC753005	23 ⁵ / ₈ " (600mm)	17 ²³ / ₃₂ " (450mm)	4 ¹³ / ₃₂ " (112mm)
WC9720**	23 ⁴⁷ / ₆₄ " (603mm)	17 ⁵³ / ₆₄ " (453mm)	5 ¹⁵ / ₆₄ " (133mm)
WC765105	27 ⁹ / ₁₆ " (700mm)	17 ²³ / ₃₂ " (450mm)	10 ⁵ / ₈ " (270mm)



Please read the information sheet before proceeding.



1.

CAB 110 R05

Icon Library



For reference only



Parts may vary.
(Optional)

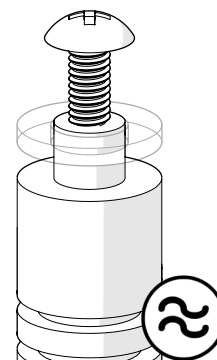
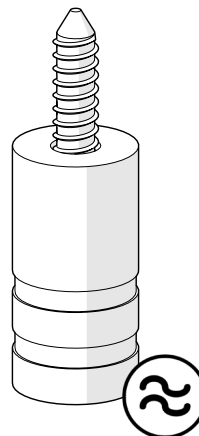
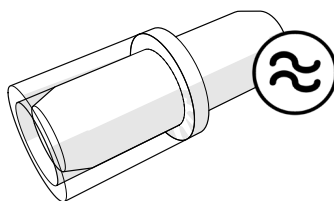
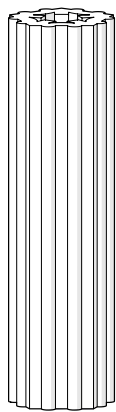
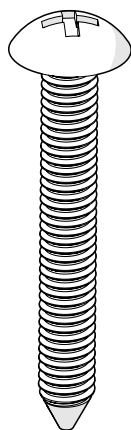


Warning! Please take special care.

Please read all of the information carefully and refer back when you see the numbered icons throughout instructions.

Safety and Care

- 1 Always take care when using power tools, particularly if there is any water in the working area.
- 2 Always check for hidden cables and pipework before drilling and take extreme care if there is any water in the working area.
- 3 Always use a residual current circuit breaker (RCCB/GFCI).
- 4 Always wear suitable eye protection when drilling.
- 5 When drilling into a tiled surface do not use a hammer drill.
- 6 Always use a drill bit that is suitable for the surface that is being drilled.
- 7 The wall plugs supplied are for use on solid walls only. For cavity walls or plasterboard use specialist fixings that are suitable for the type of wall construction.
- 8 Do not use power tools for assembly.
- 9 To retain the best quality finish, clean product regularly with a soft damp cloth.
- 10 Do not use abrasive or chemical cleaners, as these may damage the product.
- 11 Redecoration may be required on some painted surfaces after removal.
- 12 The max load of the cabinet is 22lb (10kg) when fitted to a solid wall and 11lb (5kg) then fitted to a cavity wall.
- 13 Do not slam the door open, this may damage the hinge.



Croydex, Central Way, Andover,
Hampshire, SP10 5AW, UK
EU: MIL, Unit 8 Purcellsinch Ind Est, Dublin
Road, Kilkenny, R95 HP71, Ireland



+44 (0) 1264 365881



+44 (0) 1264 356437



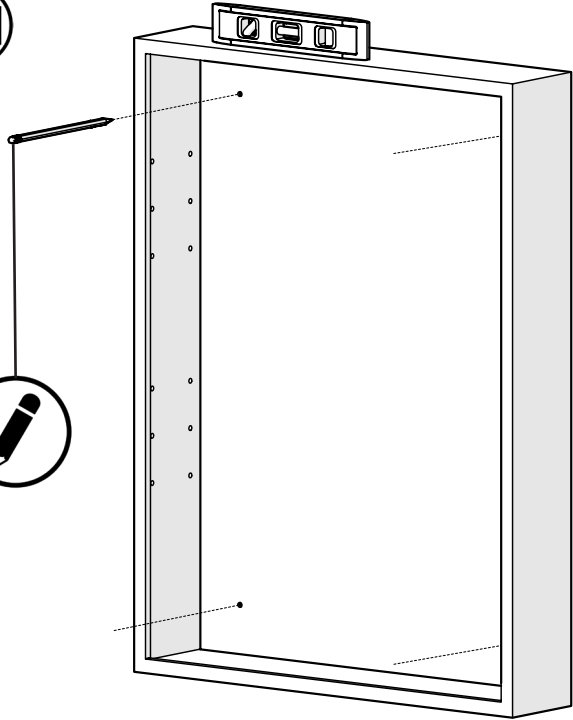
info@croydex.co.uk



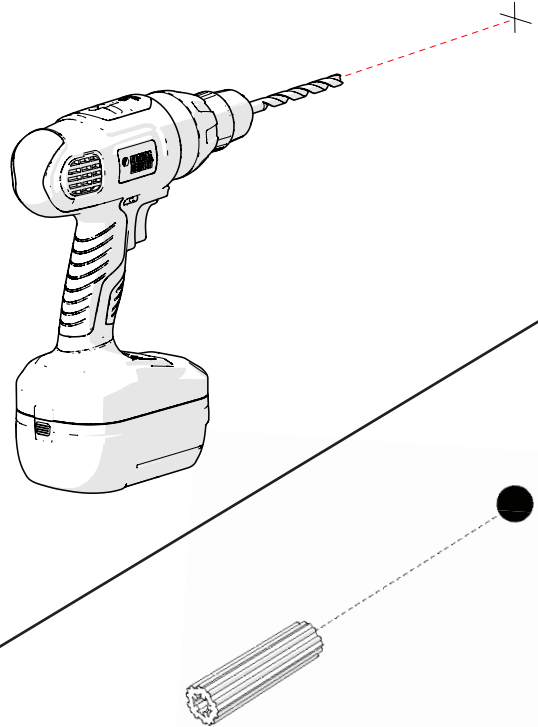
www.croydex.com

CAB 110 R05

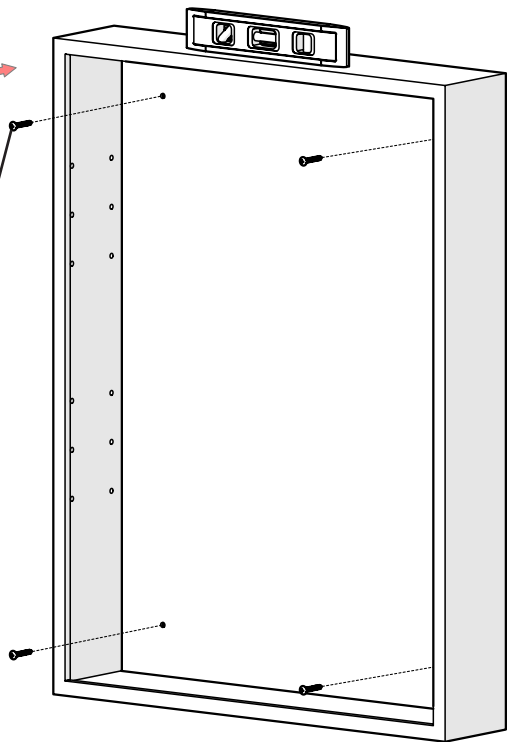
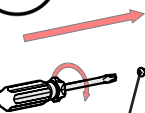
1.



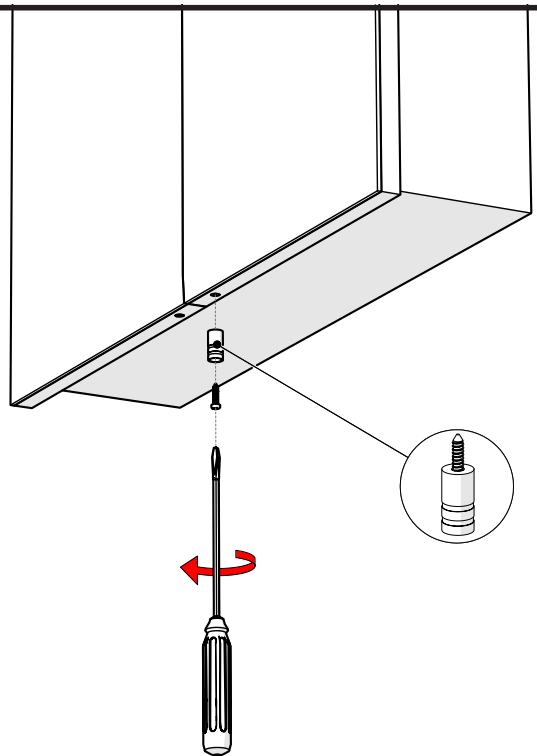
2.



3.



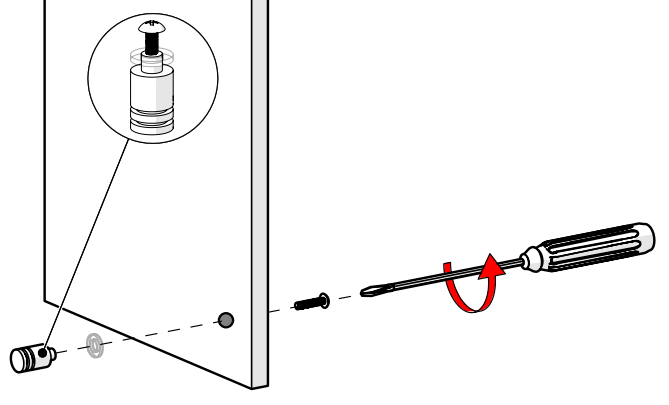
4a.



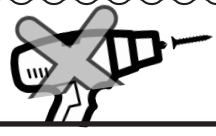
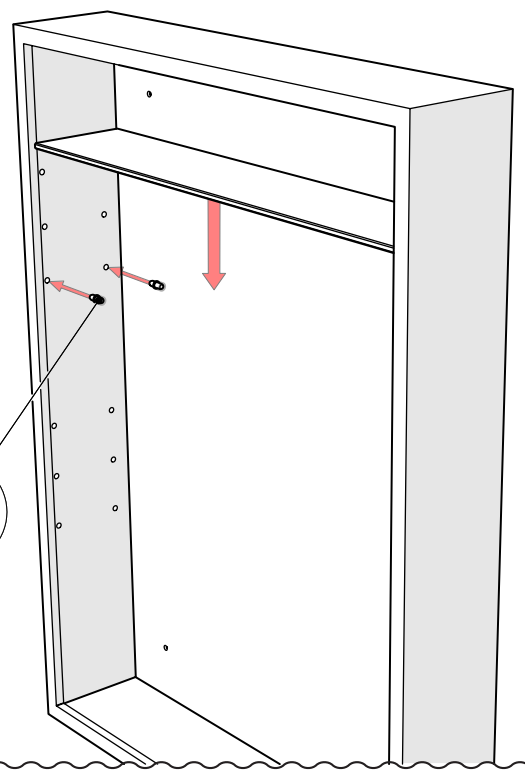
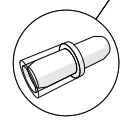
2.

CAB 110 R05

4b.



5.



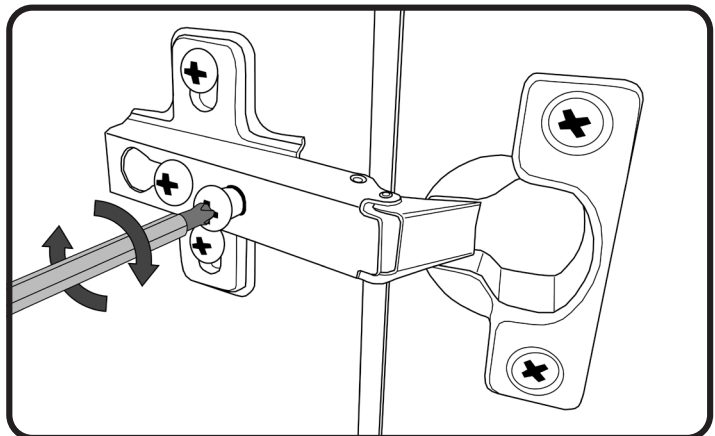
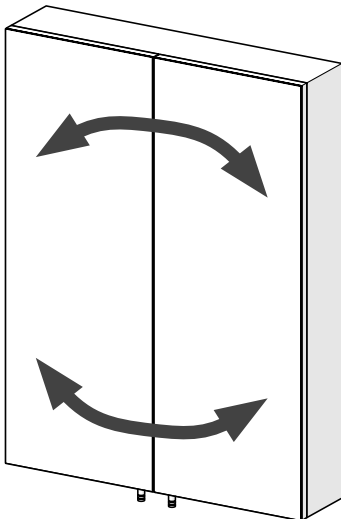
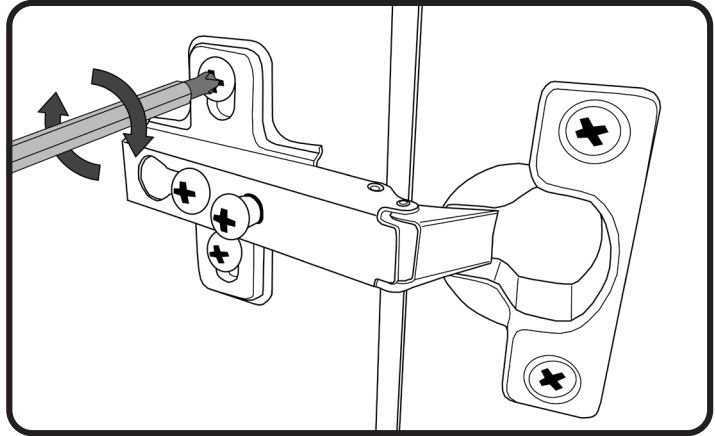
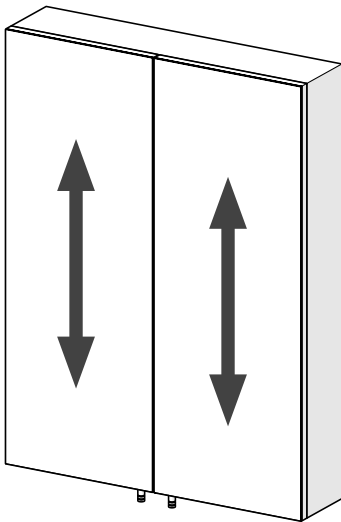
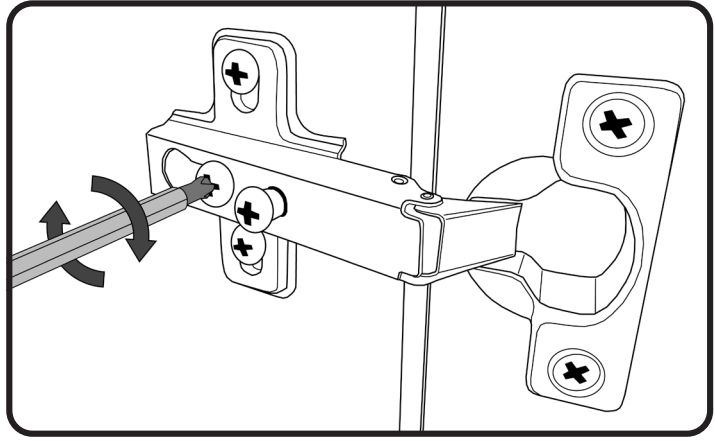
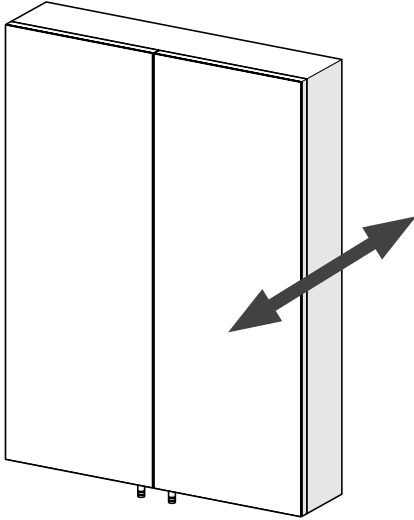
4.

 UK: Croydex, Central Way, Andover, Hampshire, SP10 5AW, UK
 EU: MIL, Unit 8 Purcellsinch Ind Est, Dublin Road, Kilkenny, R95 HP71, Ireland
 +44 (0) 1264 365881

 +44 (0) 1264 356437
 info@croydex.co.uk
 www.croydex.com

CAB 110 R05

6.



5.



UK: Croydex, Central Way, Andover,
Hampshire, SP10 5AW, UK
EU: MIL, Unit 8 Purcellsinch Ind Est, Dublin
Road, Kilkenny, R95 HP71, Ireland



+44 (0) 1264 365881



+44 (0) 1264 356437



info@croydex.co.uk



www.croydex.com

CAB 110 R05