

CEILING MOUNTED ROLL TOP BATH RAIL AD210141

ALL PRODUCT DIMENSIONS DETAILED IN THIS INSTALLATION AND MAINTENANCE MANUAL ARE APPROXIMATE

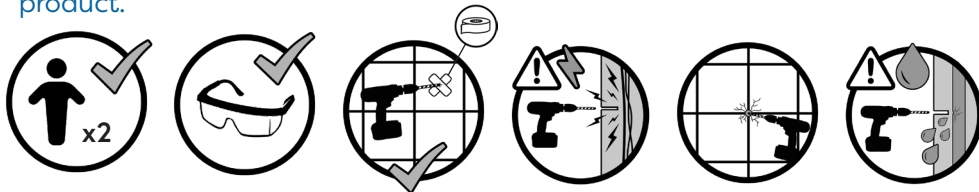
ALL ILLUSTRATIONS OF THE PRODUCT ARE FOR REFERENCE ONLY. COMPONENTS SUPPLIED WITH INDIVIDUAL PRODUCTS MAY DIFFER

Please follow all assembly and product care instructions to ensure that your product is assembled safely and retains its high quality finish.

PLEASE RETAIN THIS MANUAL FOR FUTURE REFERENCE

SAFETY & PRODUCT CARE

- 1. ALWAYS** take care when using power tools, particularly if there is any water in the working area.
- 2. ALWAYS** wear eye protection when using power tools.
- 3. ALWAYS** check for pipes and cables before drilling into walls and ceilings.
- 4. ALWAYS** use a ceramic drill bit when drilling into tiled surfaces.
- 5. ALWAYS** use a drill bit that is suitable for the surface that is being drilled.
- 6.** The wall plugs supplied are for use on solid walls only. For cavity walls or plasterboard **ALWAYS** use specialist fixings that are suitable for the type of wall construction.
- 7. DO NOT** use abrasive or chemical cleaners as these may damage the product.



CONTACT DETAILS

 Croydex
Central Way
Andover
Hampshire
SP10 5AW
UK

 Tel: +44 (0)1264 365881

 Email: info@croydex.co.uk

 www.croydex.com

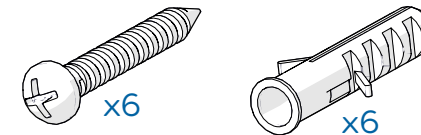
PRODUCT FITTING

IMPORTANT!

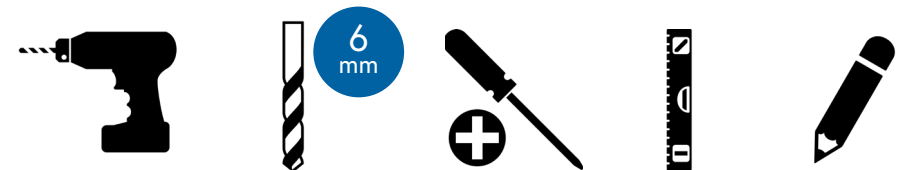
Before attempting to fit or use this product. Ensure that it can be properly installed in the location you wish it to be in.

- FOR SAFETY, THESE PRODUCTS SHOULD BE FITTED TO A CEILING JOIST WHEREVER POSSIBLE.
- IF FIXING TO A HOLLOW CEILING, ADDITIONAL TIMBER SUPPORTS SHOULD BE USED BEHIND THE CEILING PLASTERBOARD.
- IF THIS CANNOT BE DONE, PLEASE USE SPECIALIST FIXINGS TO SUIT THE INSTALLATION.
- FOR SOLID CEILINGS PLEASE USE THE FITTINGS SUPPLIED.

WALL FIXING PACK

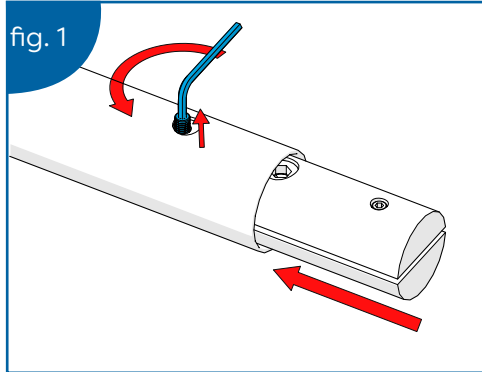


TOOLS REQUIRED

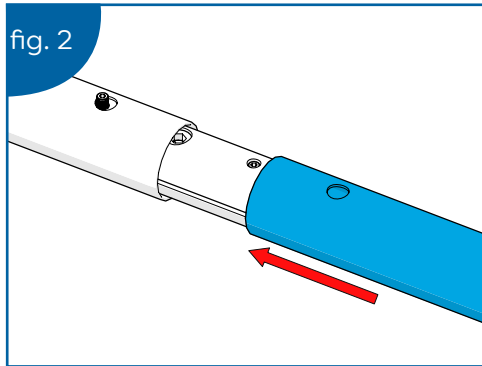


1 - PRE-INSTALLATION

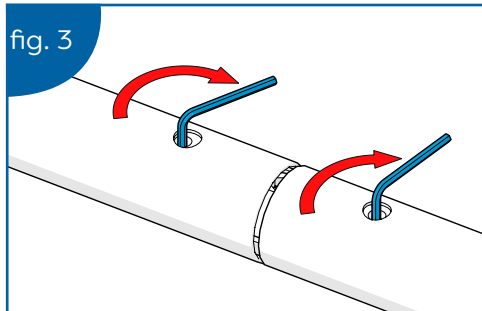
1. Place the insert into each end of the oval rail. Loosen the grub screw so that it protrudes from the hole in the rail. (See Fig. 1)



2. Slide the second half of the oval rail onto the inserts. (See Fig. 2)

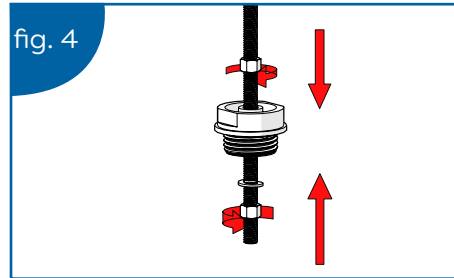


3. Tighten the grub screws to expand the insert. (See Fig. 3)

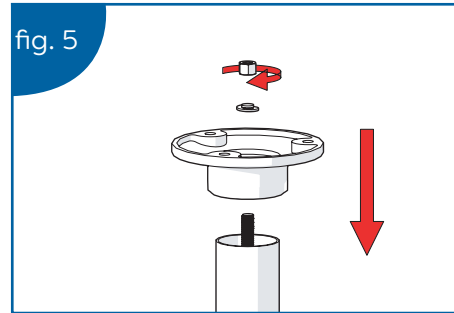


2 - INSTALLATION

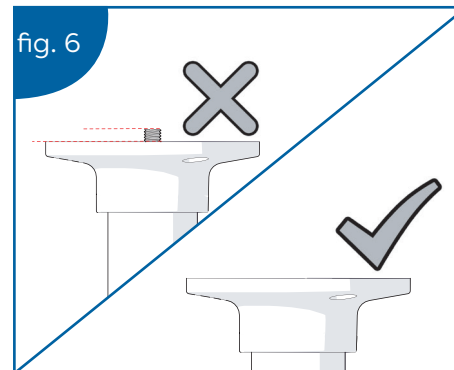
4. Construct the lower portion of the mounting bar. (See Fig. 4)
Fully tighten locking nuts.



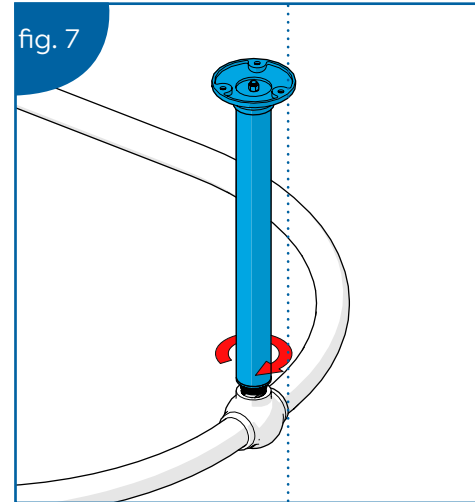
5. Construct the upper portion of the mounting bar. (See Fig. 5)



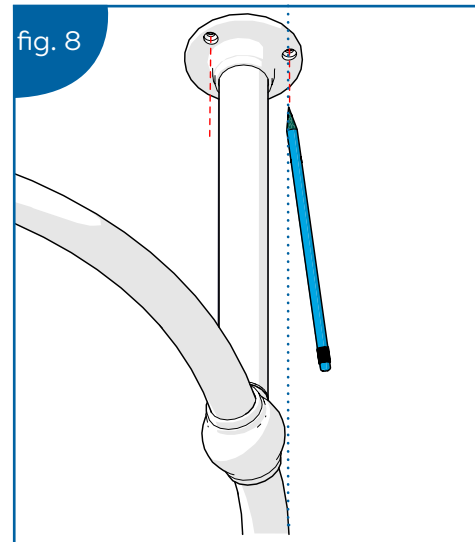
6. Before proceeding, ensure the threaded rod does not protrude past the ceiling bracket.
If the rod does protrude, readjust at STEP 4. (See Fig. 6)



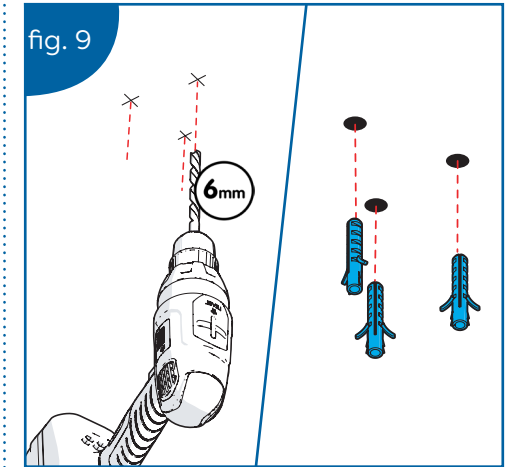
7. Screw the two ceiling mounts into the oval rail. (See Fig. 7)



8. Position the rail at the desired location and mark the screw holes. (See Fig. 8). **Ensure the brackets are mounted to a reinforced section of ceiling - see PRODUCT FITTING section for guidelines.**



9. Drill holes in the marked positions and insert wall plugs. (See Fig. 9)



10. Locate the oval rail back in position. Insert screws and fasten. (See Fig. 10)

