

TOILET SEAT INSTALLATION INSTRUCTIONS

Please read carefully before attempting to fit the seat. If you are not the end user, please make sure the aftercare instructions are made available for the end user to read.

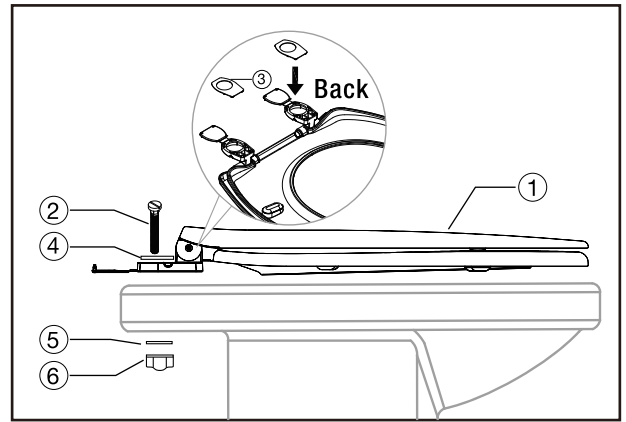
BEFORE YOU START YOUR PROJECT CHECK YOU HAVE ALL THE PARTS AND THAT THEY ARE NOT DAMAGED.

| Item | Description | Qty |
|------|------------------------|-----|
| ① | Toilet Seat with Cover | 1 |
| ② | Plastic Bolt | 2 |
| ③ | Rubber Gasket | 2 |
| ④ | Adjustable Plate | 2 |
| ⑤ | Washer | 2 |
| ⑥ | Locking Nut | 2 |

1) FITTING THE HINGE COMPONENTS.

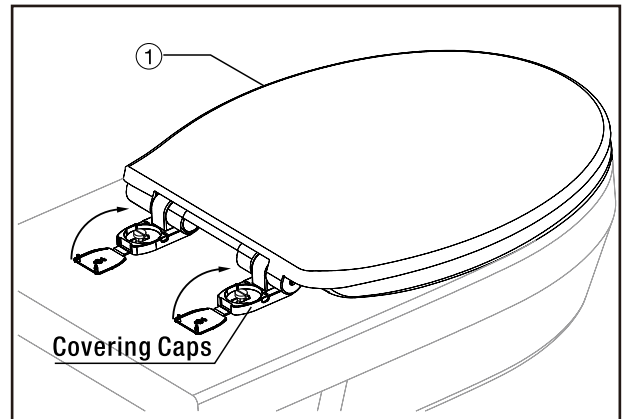
Place the rubber gaskets ③ on the back of the hinge. Then open the covering caps on the hinge of the toilet seat ①. Position the hinge over the holes of the toilet pan. Place the adjustable plates ④ on the groove of the hinge. Put the plastic bolts ② through the slots of the adjustment plates ④ into the hole of the toilet pan. Lock the nuts ⑥ with the washers ⑤ under the pan.

Note: Do not over tighten at this stage as some adjustment may be required.



2) FITTING THE TOILET SEAT.

Adjust the toilet seat ① to align with the pan. Lock the nuts ⑥ tightly. Then cover the caps of the hinge.



Cleaning and Maintenance

Regular cleaning with a soft damp cloth and mild detergent solution is recommended.

We have taken great care to ensure that this product reached you in perfect condition. However, should any parts be damaged or missing, please contact your point of purchase. This does not affect your statutory rights. In addition if you require any replacement parts your point of purchase will be happy to assist.