

# TOILET SEAT INSTALLATION INSTRUCTIONS

Please read carefully before attempting to fit the seat. If you are not the end user, please make sure the aftercare instructions are made available for the end user to read.

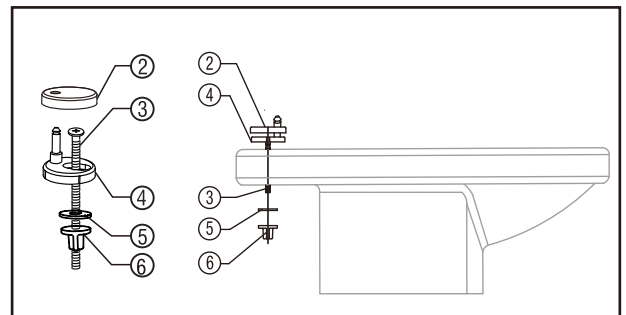
**BEFORE YOU START YOUR PROJECT CHECK YOU HAVE ALL THE PARTS AND THAT THEY ARE NOT DAMAGED.**

Item	Description	Qty
①	Toilet Seat with Cover	1
②	Stainless Steel Cover	2
③	Stainless Steel Bolt	2
④	Plastic Support with Stainless Steel Connector	2
⑤	Plastic Washer	2
⑥	Plastic Nut	2

## 1) FITTING THE HINGE COMPONENTS.

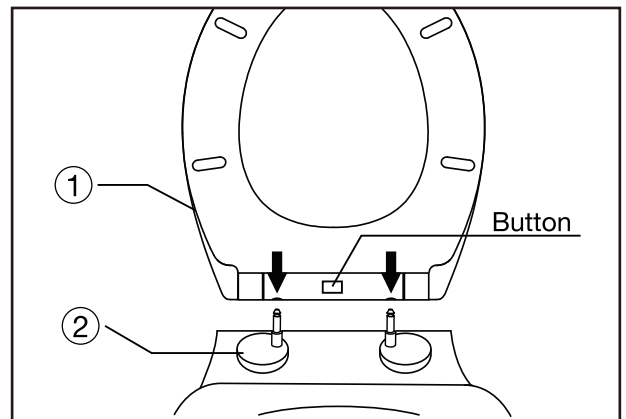
Position the plastic connectors ④ over the holes in the toilet pan. Thread the stainless steel bolts ③ through the slots of the plastic connectors into the hole of the toilet pan, lock the nuts ⑥ with the washers ⑤ under the pan.

**Note: Do not over tighten fully at this stage as some adjustment may be required.**



## 2) FITTING THE TOILET SEAT.

Ensure that the connectors on the plastic supports ④ align with the sockets on the toilet seat ①. Insert the connectors into the socket and firmly press down until you hear them click into position. Adjust the toilet seat ① to align with the pan. Press the button and take off the toilet seat ①, then fully tighten the bolts ③. Put the stainless steel cover ② on the support ④. Fitting the toilet seat ① again.



## Cleaning and Maintenance

Regular cleaning with a soft damp cloth and mild detergent solution is recommended.

We have taken great care to ensure that this product reached you in perfect condition. However, should any parts be damaged or missing, please contact your point of purchase. This does not affect your statutory rights. In addition if you require any replacement parts your point of purchase will be happy to assist.