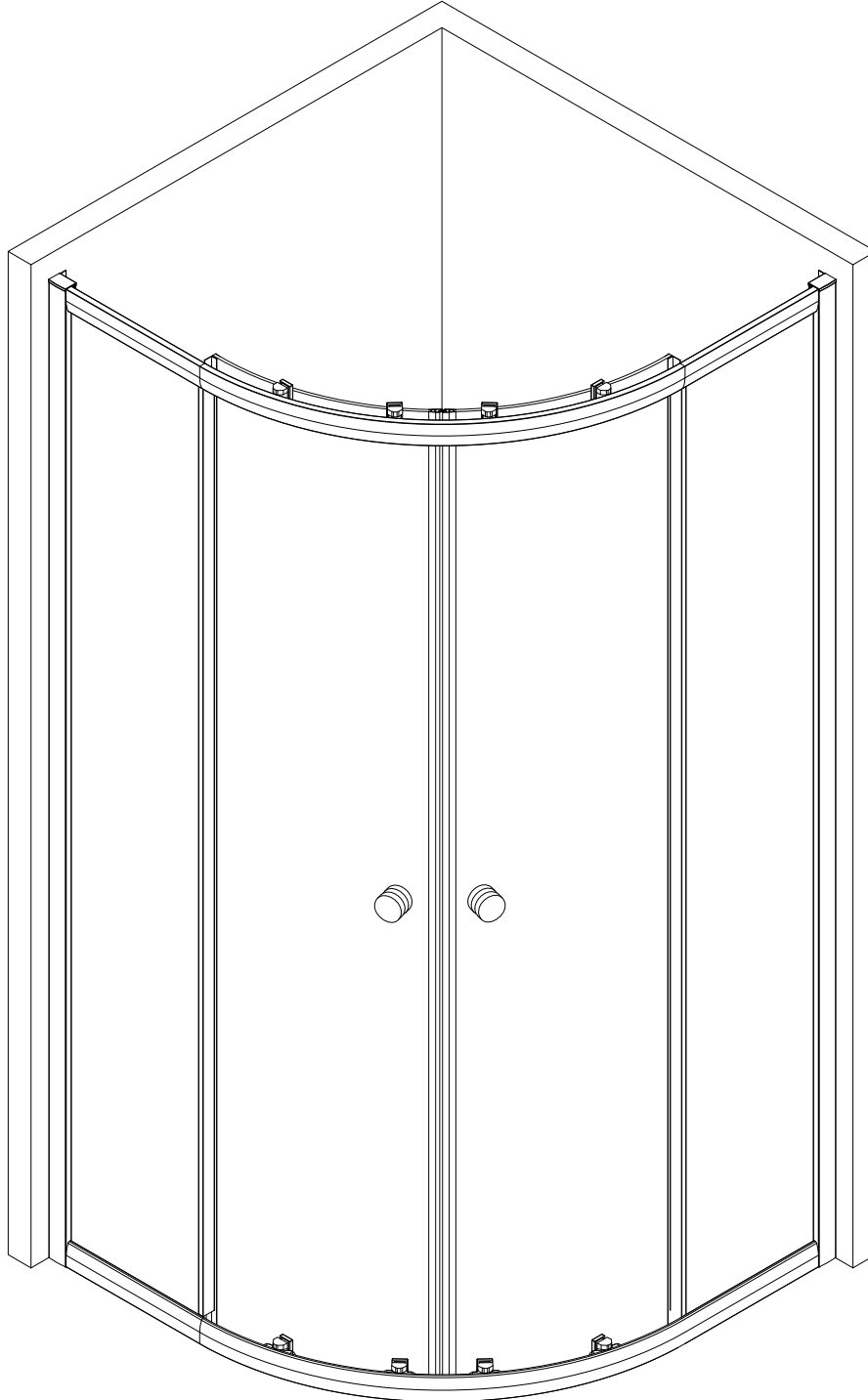


Installation Instructions

Shower Enclosure Quadrant 6mm

229384 229385



Important Note on Safety Glass

In order to comply with European Regulatory Requirements, all of our shower enclosures/bath screens undergo a thermal toughening process.

This process makes the glass significantly stronger compared to standard glass, however in the unlikely event the glass should break during use, the glass in its entirety will shatter into small manageable fragments, the intention of this ensures avoiding large dangerously sharp shards of glass

Important - Please Read

- Important: The wall plugs included in this pack are for solid walls only. If the product is to be mounted on a partition or stud wall, specialised fixings should be purchased separately-your local building merchant should be able to ensure you have the correct fixings for intended wall type.
- CAUTION!
Before drilling into any walls check that there are no hidden cables or pipes. Exercise great care when using power tools near water. The use of a residual current device (RCD) or cordless drill is recommended. Always double check the positioning and measurements before drilling holes.
- This product is heavy and requires two people during lifting and installation.
- Glass is delicate, support on cardboard to minimise the risk of damage.

Product Information

- 229384 Quadrant shower enclosure=800mm adjustment ⇒765-785mm
- 229385 Quadrant shower enclosure=900mm adjustment ⇒865-885mm

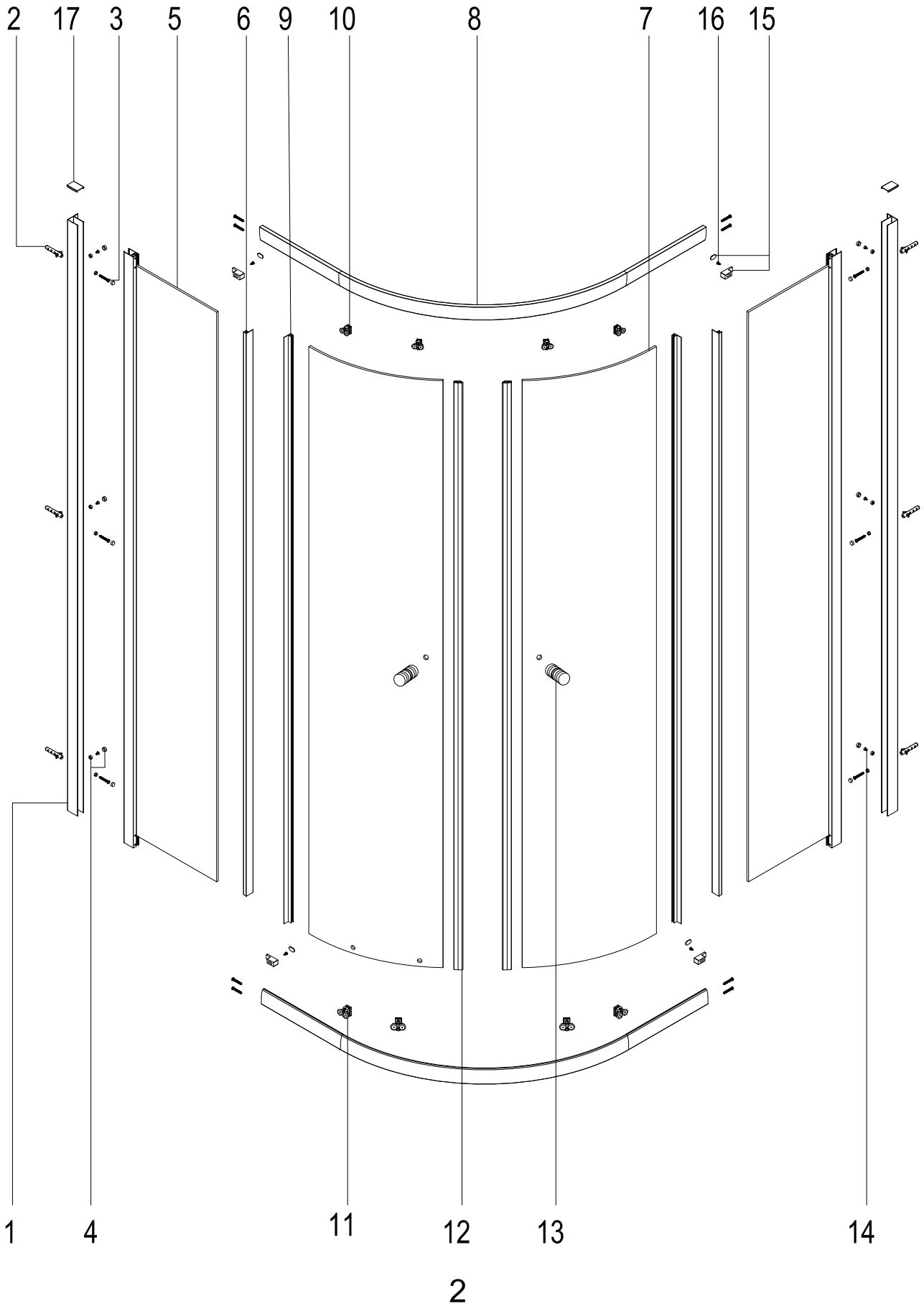
Installation Tips

- Fixing tips; A piece of insulating tape or a couple of layers of masking tape applied to the wall before marking out the fixing holes will help stop the drill from wandering, particularly on tiled surfaces.
- When working near a basin or bath insert the plug into the waste, this will help you avoid losing small parts. Also take care not to drop accessories or tools onto the bath or basin, use a towel or bathmat to protect delicate surfaces.
- Do not fix the wall profile to newly plastered,painted or papered walls as chemical reaction may cause discolouration to surface finish.

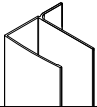
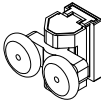
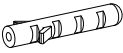
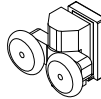

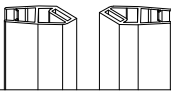
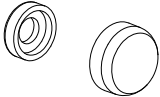
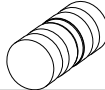

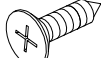
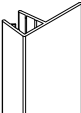
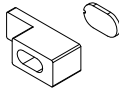



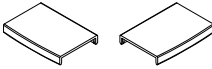
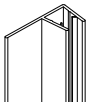
Legal statement

- We have taken great care to ensure that this product reaches you in perfect condition. However should any parts be damaged or missing please contact your point of purchase. This does not affect your statutory rights. In addition if you require replacement parts your point of purchase will be happy to assist.

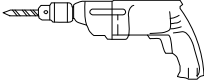


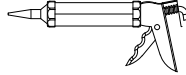

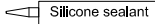
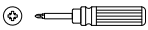

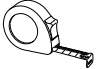
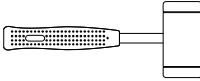


IDENTIFICATION OF PARTS



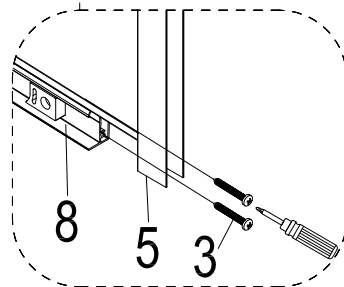
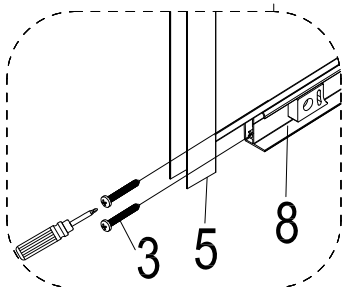
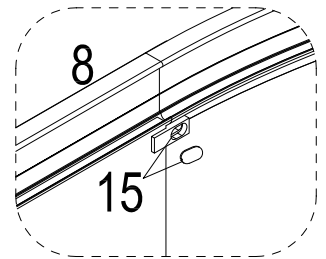
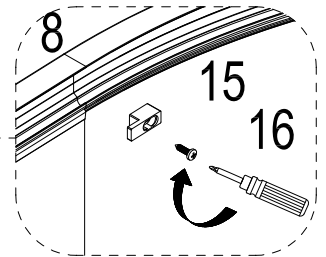
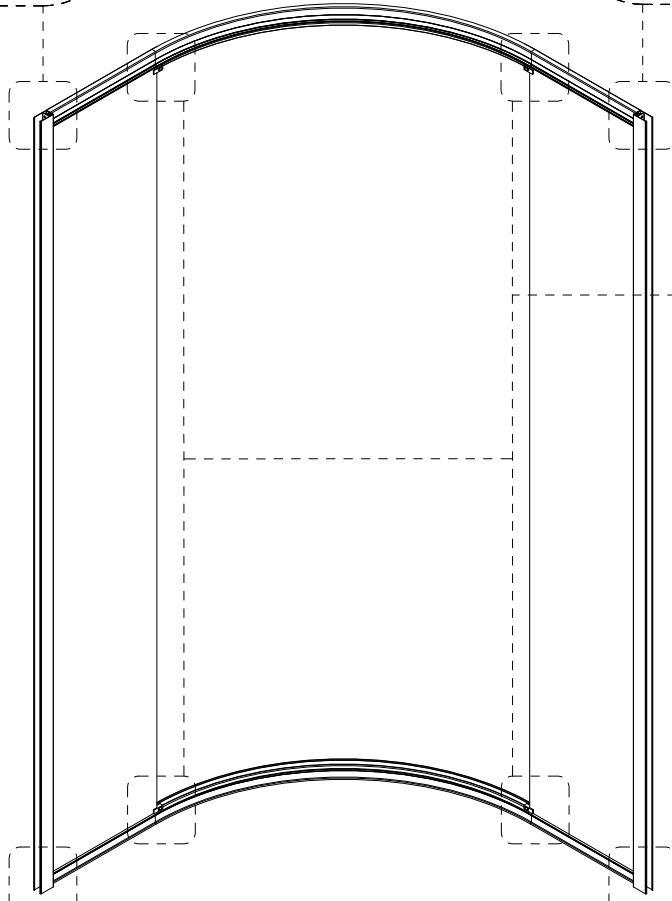
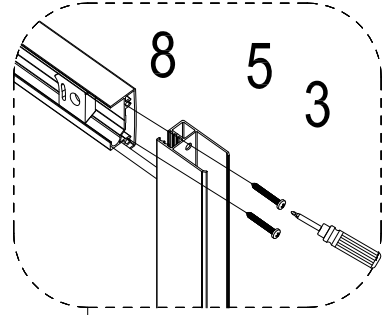
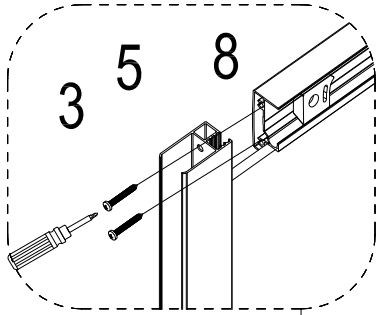
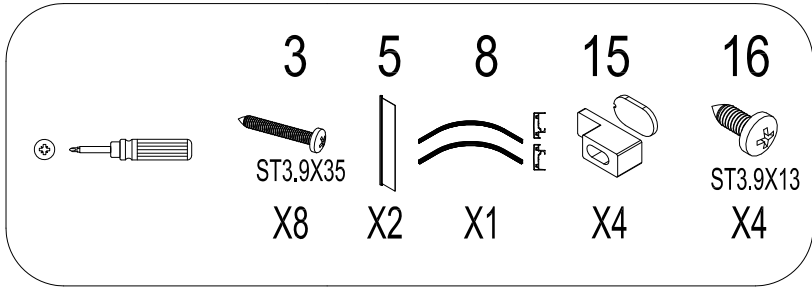
Fixings & fittings supplied

Item No.:	Part	Quantity	Item No.:	Part	Quantity
1		x2	10		x4
2		x6	11		x4
3	 ST3.9X35	x14	12		x1
4		x12	13		x2
5		x2	14	 ST3.5X10	x6
6		x2	15		x4
7		x2	16	 ST3.9X13	x4
8		x1	17		x1
9		x2			

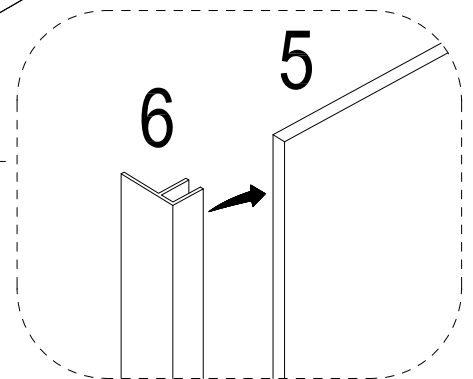
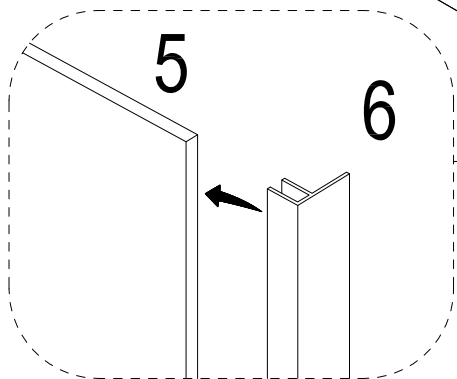
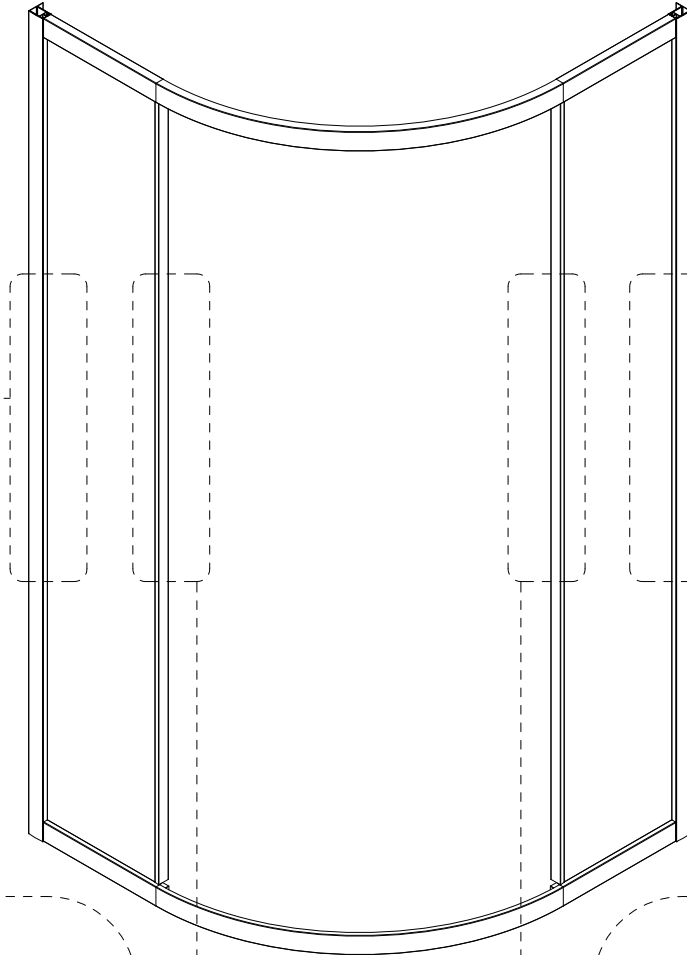
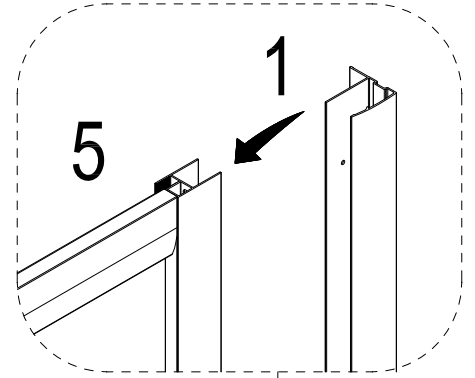
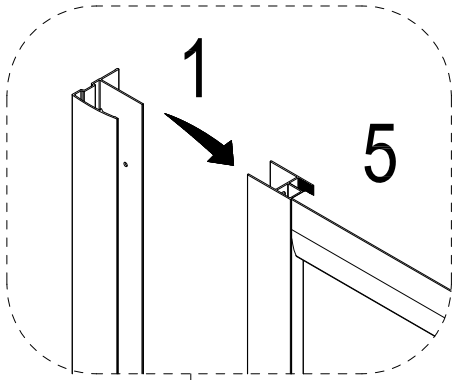
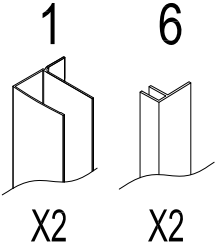
Tools required(not supplied)

Electric Drill		pencil	
Ø3mm HSS drill bit		Silicone sealant gun	
Ø6Masonry drill bit		Silicone sealant	
Cross-Head screwdriver		Spirit level	
Tape Measure		Rubber mallet	
Eye Protection		Gloves	

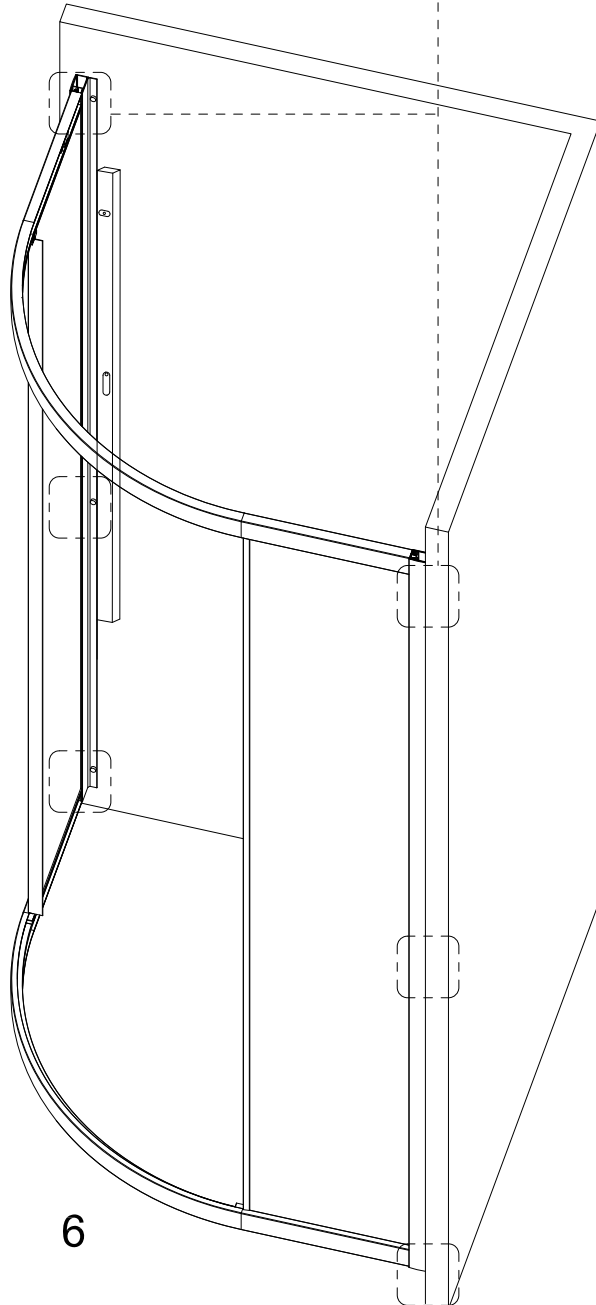
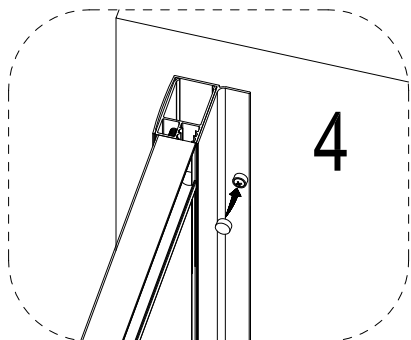
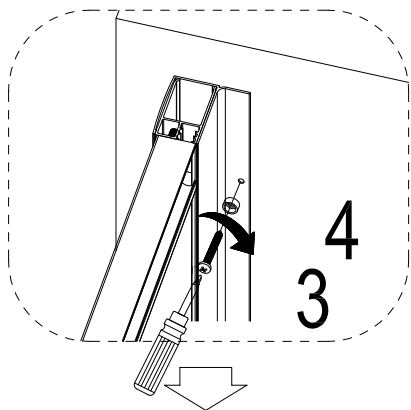
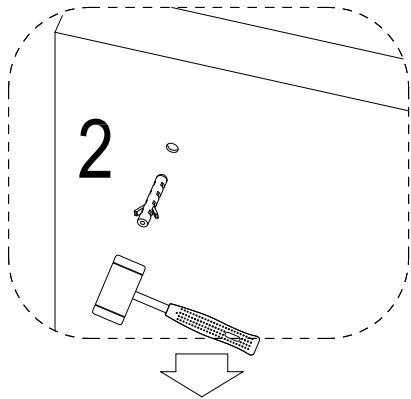
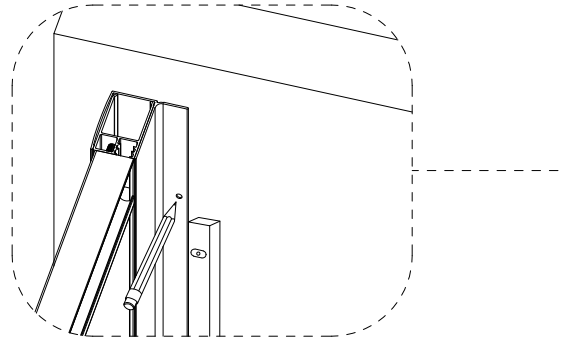
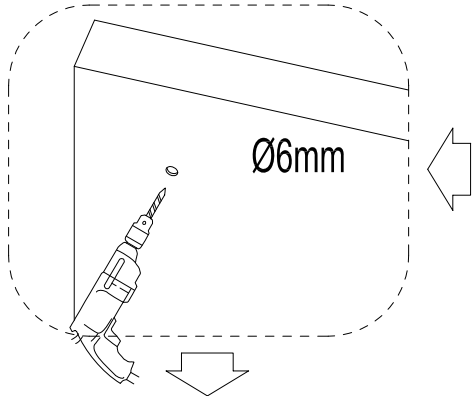
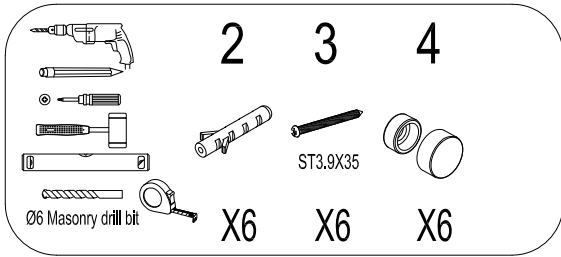
① ASSEMBLY INSTRUCTIONS



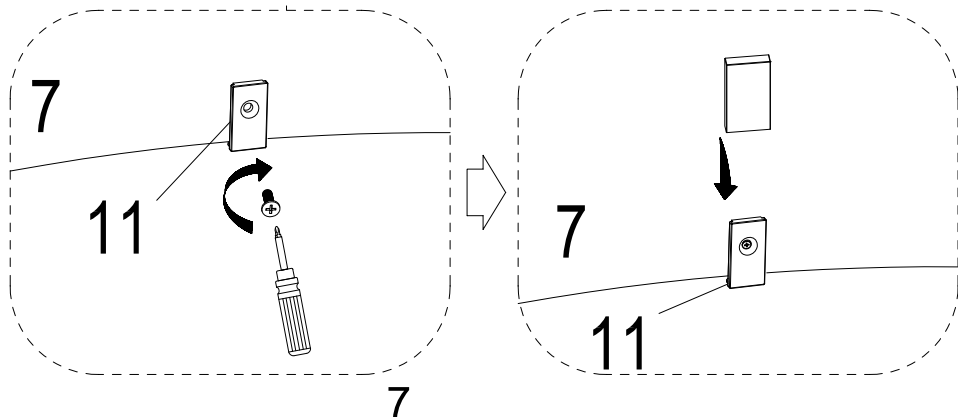
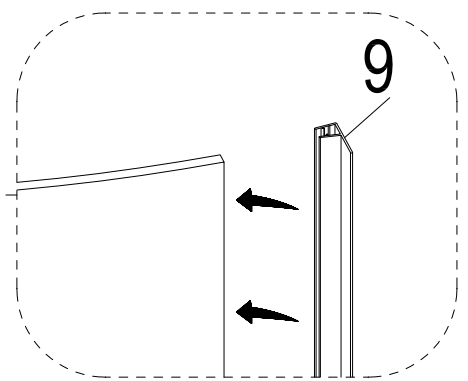
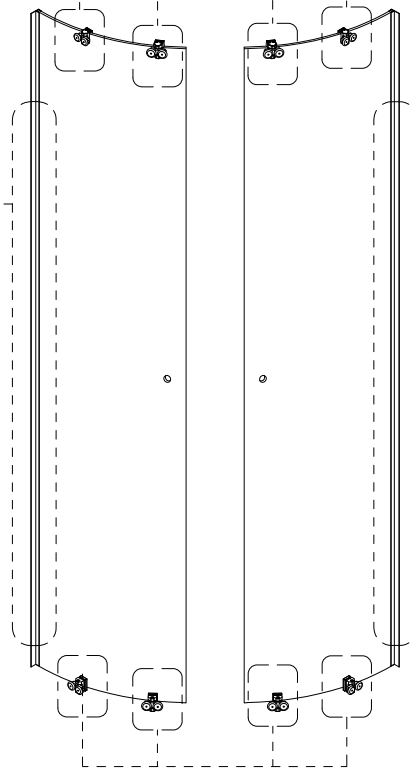
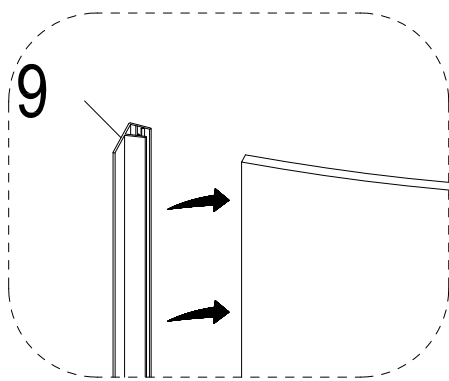
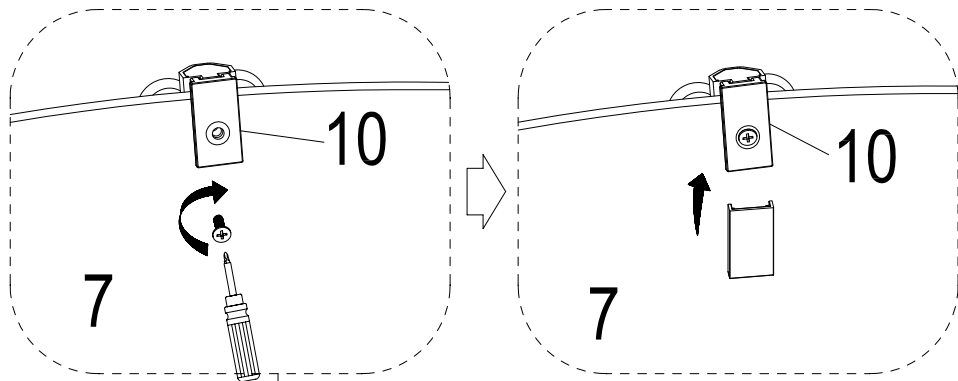
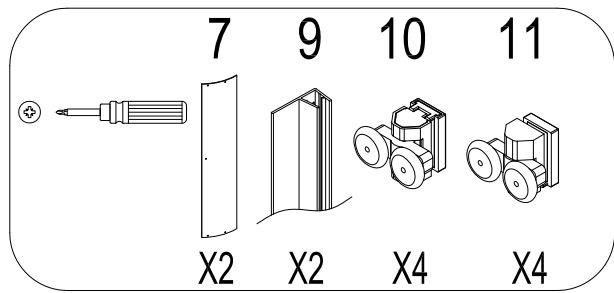
② ASSEMBLY INSTRUCTIONS



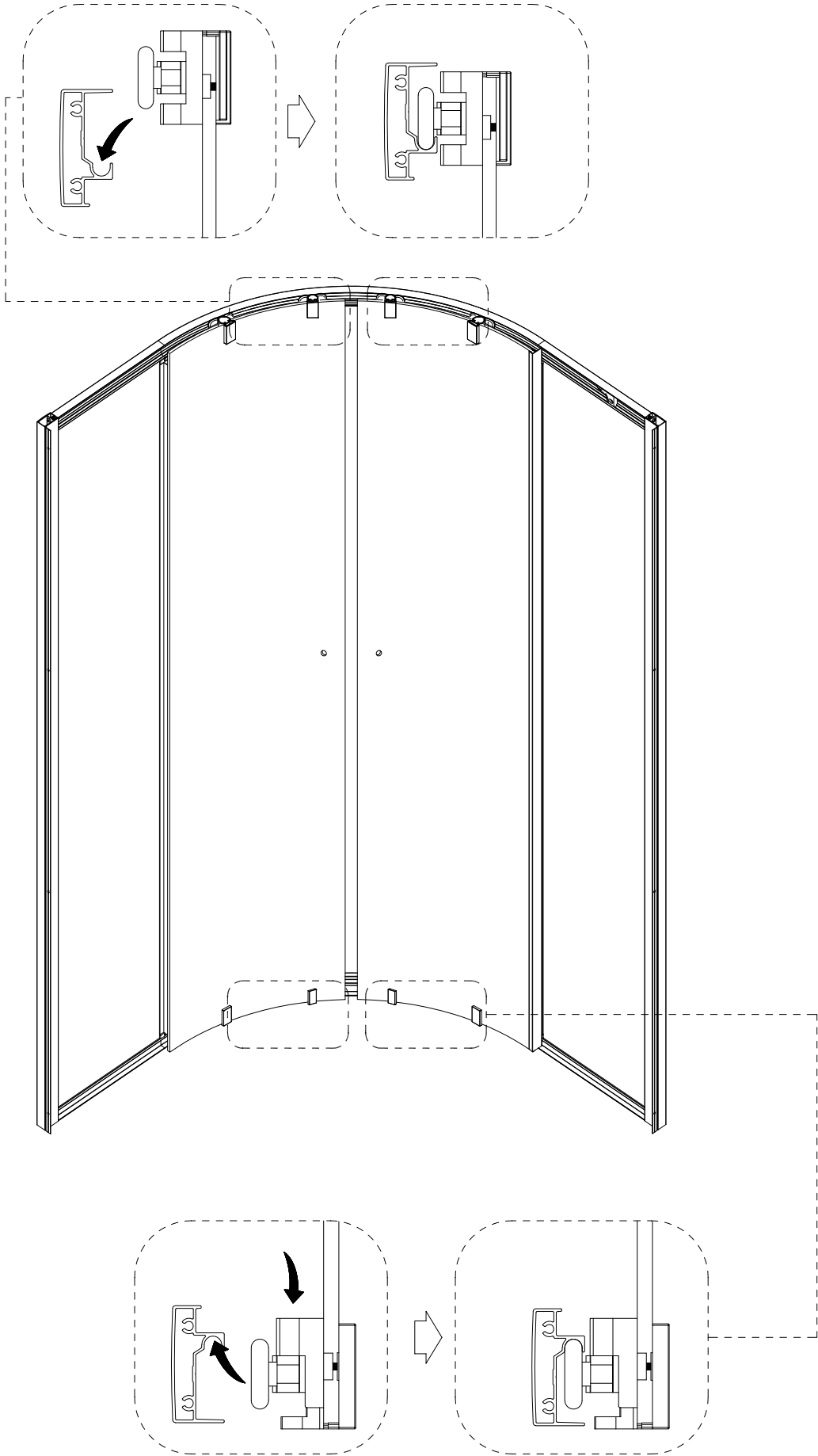
③ ASSEMBLY INSTRUCTIONS



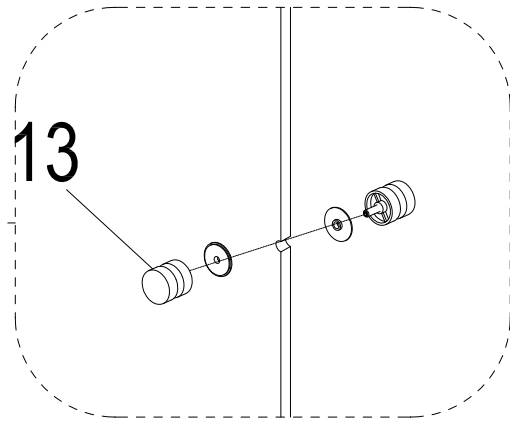
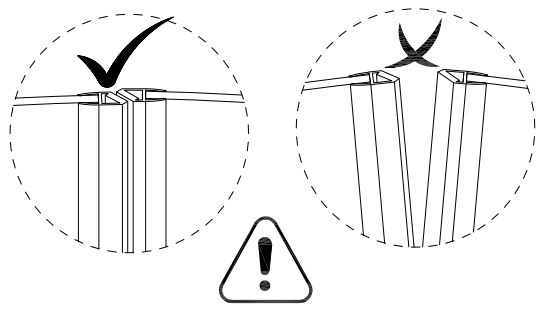
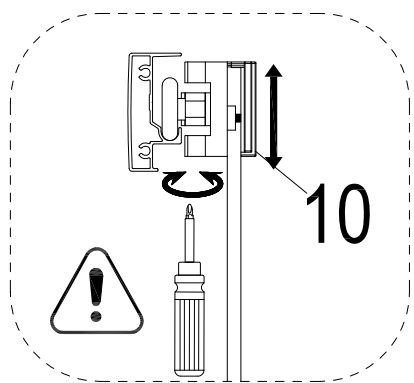
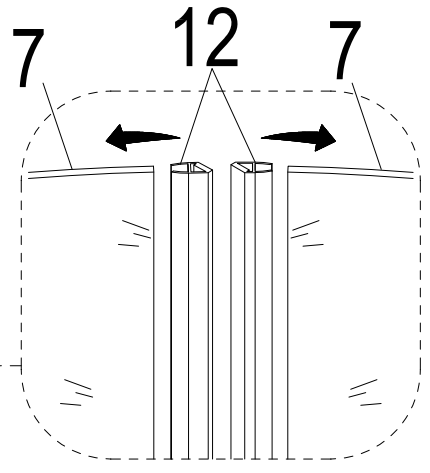
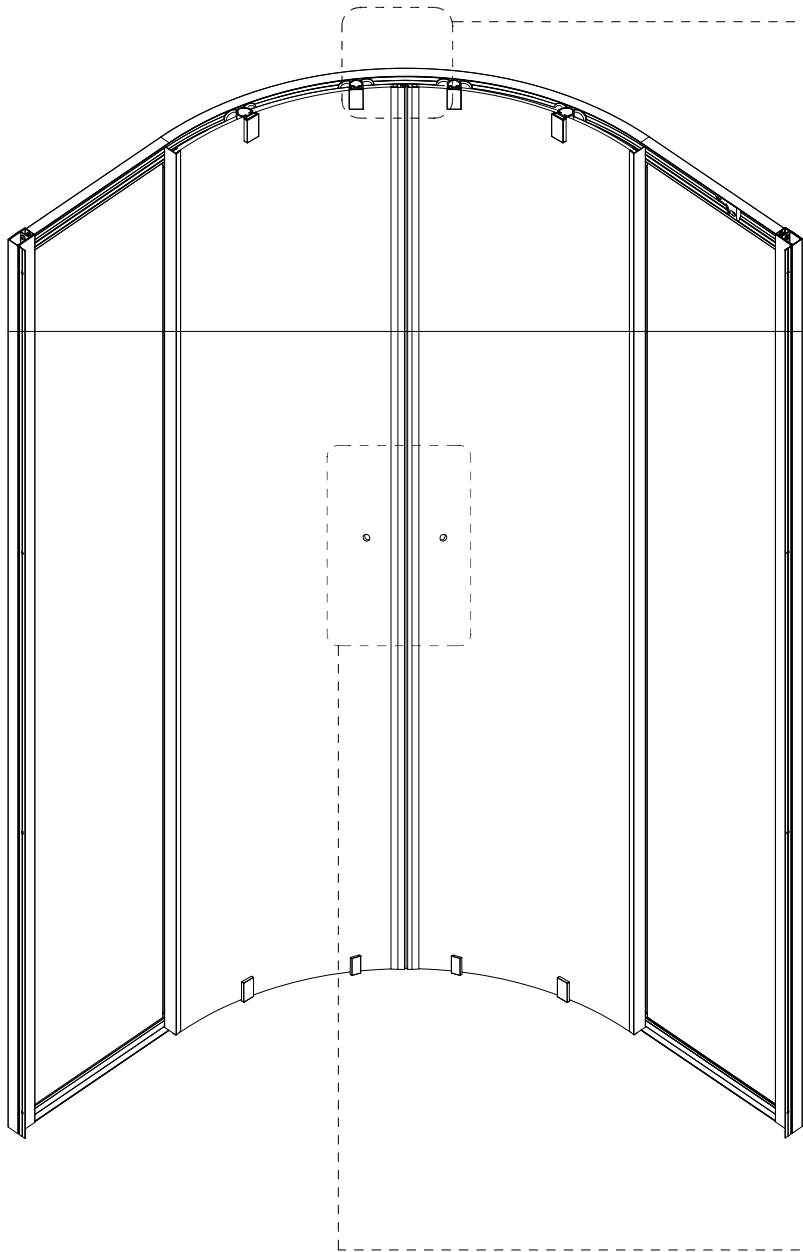
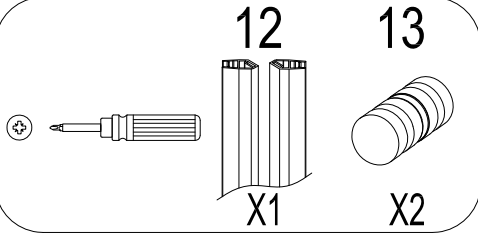
④ ASSEMBLY INSTRUCTIONS



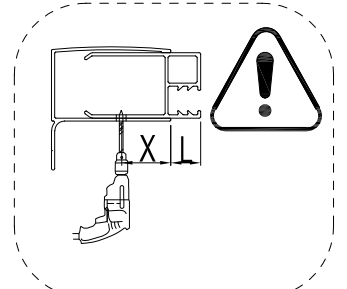
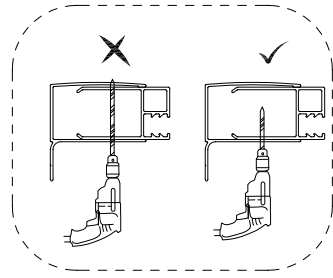
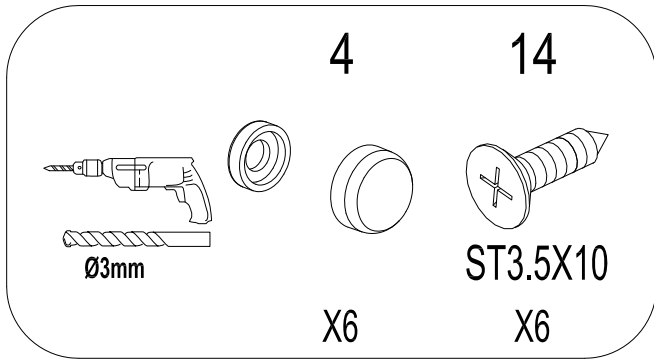
⑤ ASSEMBLY INSTRUCTIONS



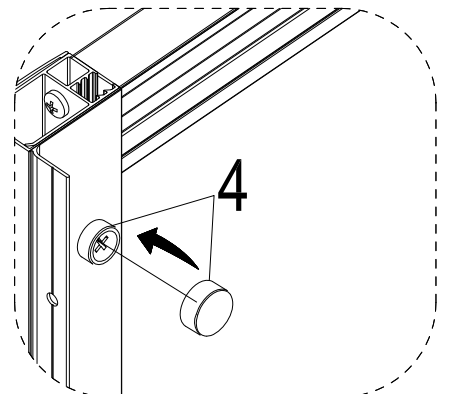
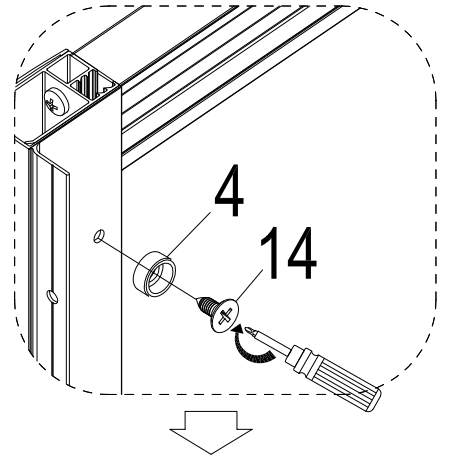
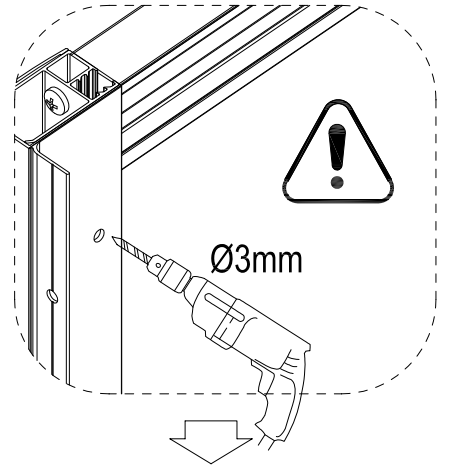
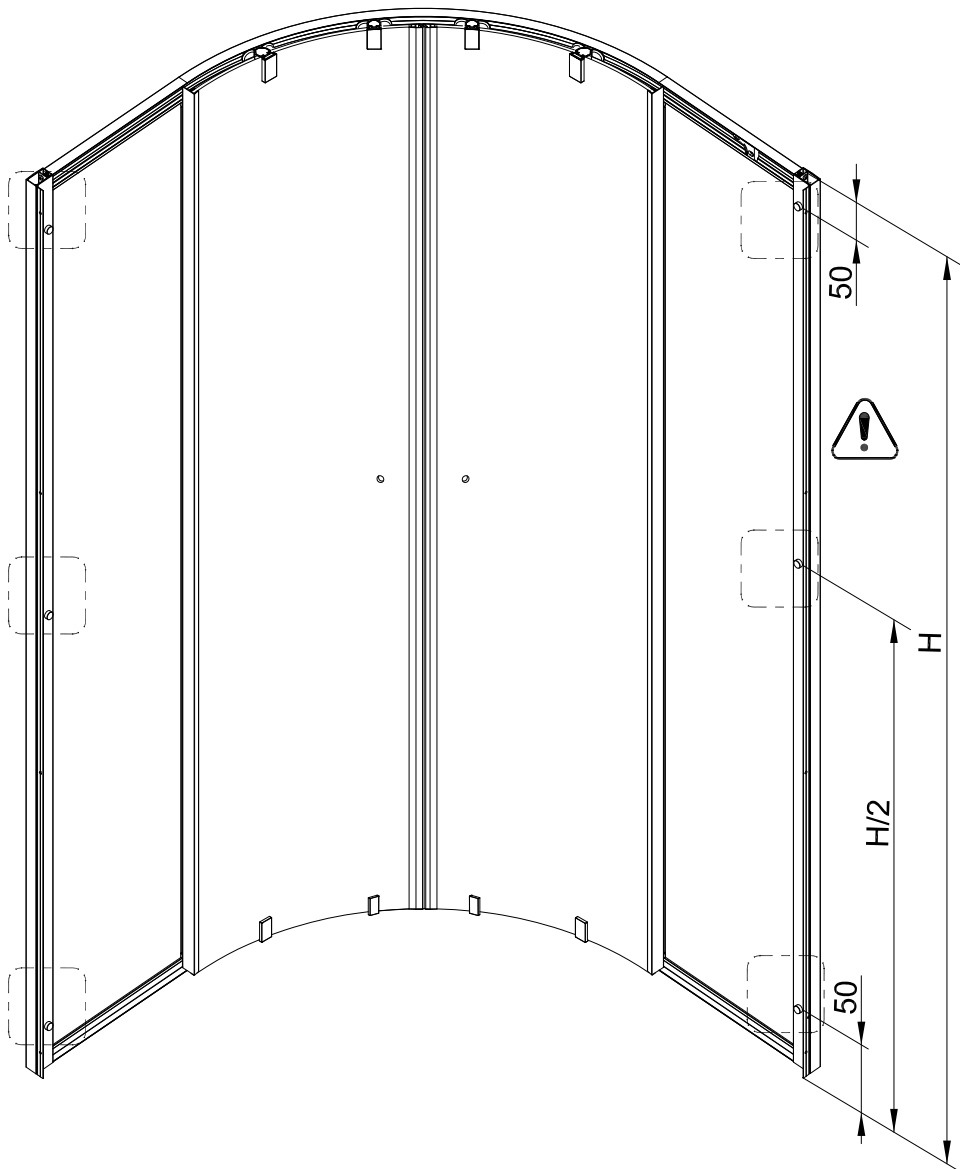
⑥ ASSEMBLY INSTRUCTIONS



7 ASSEMBLY INSTRUCTIONS



0 < L < 10 X=13
10 < L < 20 X=7



⑧ ASSEMBLY INSTRUCTIONS

