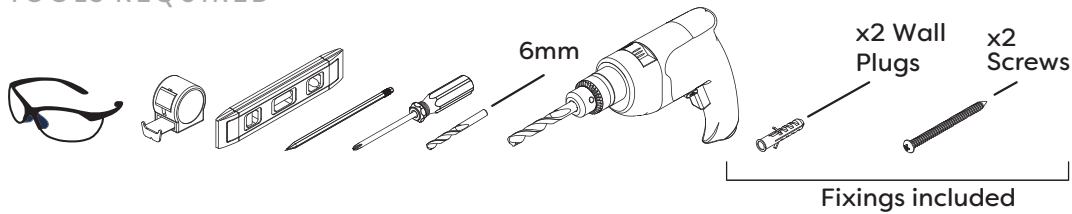


229466 | INSTRUCTION LEAFLET

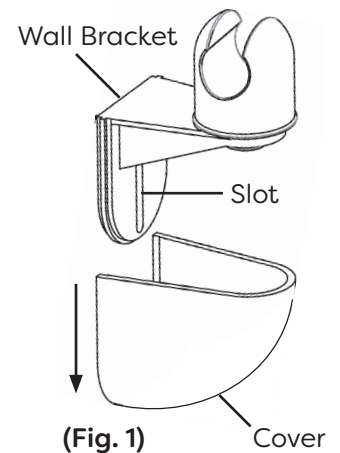
AM400141WKK - ADJUSTABLE WALL BRACKET

TOOLS REQUIRED



INSTALLATION

1. Remove the cover from the wall bracket by carefully sliding these components apart (**Fig. 1**).
2. Position the wall bracket onto the wall in the desired location. **Note: When positioning the shower head, ensure that the shower hose is not overextended.**
3. Using the screw fixing slot in the wall bracket as a template, mark the screw hole positions.
4. Drill the mounting holes into the wall using a 6mm masonry drill bit.
5. Insert the wall plugs flush to the surface of the wall. If fitting to a tiled surface, the wall plug should be inserted below the surface of the tile to avoid cracking it.
6. Securely fix the wall bracket onto the wall using the screws provided and a screwdriver. **Note: Do not overtighten.**
7. Finally, refit the cover by carefully sliding it back onto the wall bracket.



GENERAL SAFETY ADVICE

- Always take care when using hot water, especially with children, and NEVER leave a child unattended in the bathroom.
- Do not use with water above 65°C or with excessively high water pressure (Max 50psi/3.5bar).
- Always check the water temperature before using the shower to avoid the risk of scalding.
- Always take care when using power tools, particularly if there is any water in the working area.
- Always use eye protection when using power tools.
- Always check for hidden cables and pipework before drilling.
- When drilling into a tiled surface do not use a hammer drill.
- Always use a drill bit that is suitable for the surface that is being drilled.

GENERAL CLEANING

- Do not use aggressive cleaning products or polishes or those which contain bleach, acids or alcohol as this may damage the surface of the product. Whilst modern plating techniques are used in the manufacture of these fittings, the plating will wear if not cleaned properly. The safest way to clean your product is to wipe with a soft damp cloth. Stains can be removed using washing up liquid.

GUARANTEE TERMS: In the unlikely event that this product does not meet your expectations or a quality issue arises, please contact your point of purchase with the details and your proof of purchase. We reserve the right to carry out a product inspection prior to validating a claim. The product carries a 1 year guarantee which covers against manufacturing defects. The guarantee does not cover deterioration through normal wear and tear, deterioration due to infestation, wilful damage, accident, improper or negligent use, unauthorised modification or repair, or incorrect storage. During the guarantee period for the product, we will, at our discretion, repair or replace the product, or the defective part, subject to the guarantee exclusions set out above and your claim being validated.