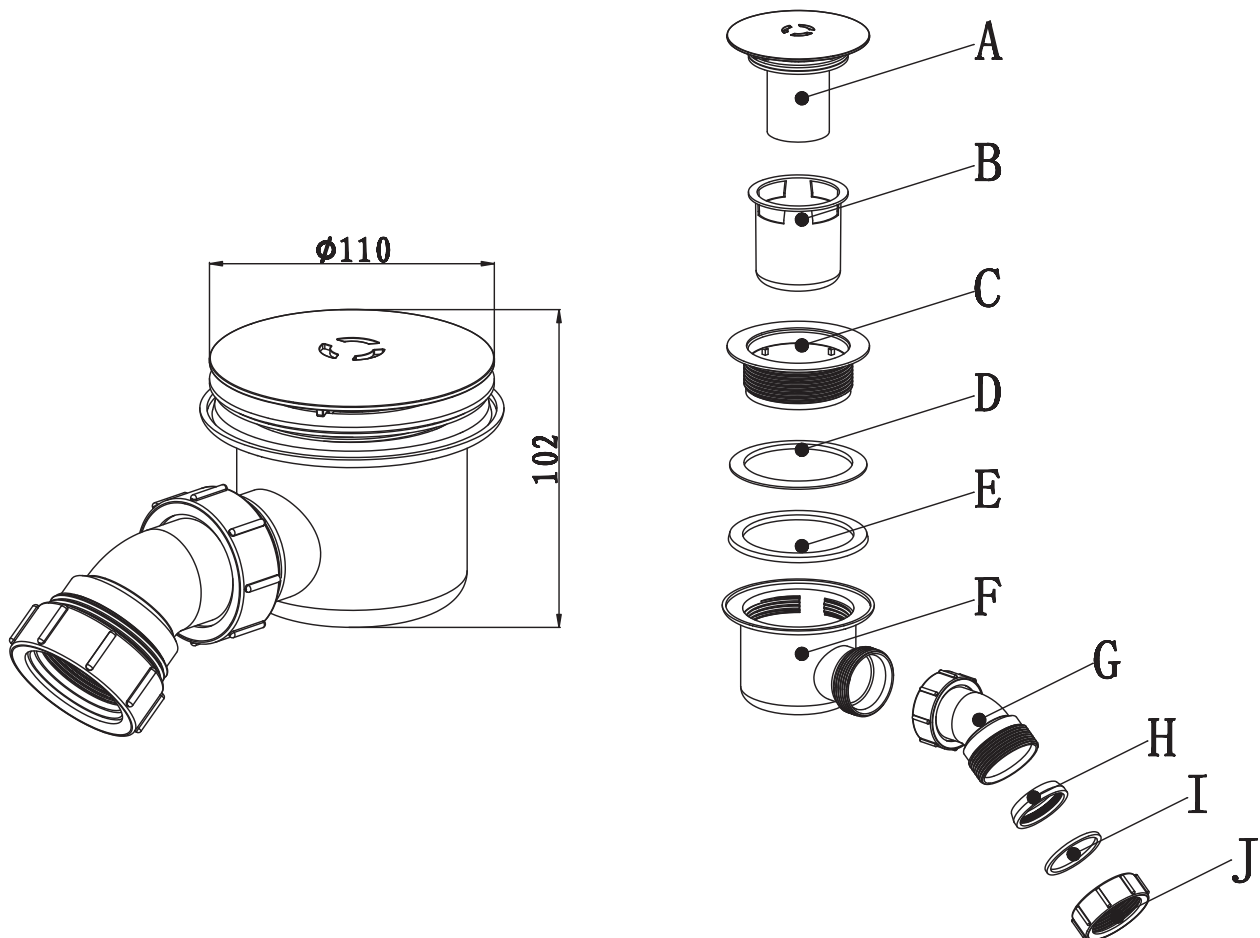


High Performance Shower Waste And Trap

IMPORTANT NOTES

- Please ensure installation is undertaken by an experienced Plumber, as to ensure compliance with all Council and Local Authority requirements
- Please wear appropriate PPE
- It is the responsibility of the person who installs the waste to ensure that the installation is watertight
- We have taken great care to ensure that this product reaches you in perfect condition. However should any parts be damaged or missing please contact your point of purchase. This does not affect your statutory rights. In addition if you require replacement parts your point of purchase will be happy to assist.

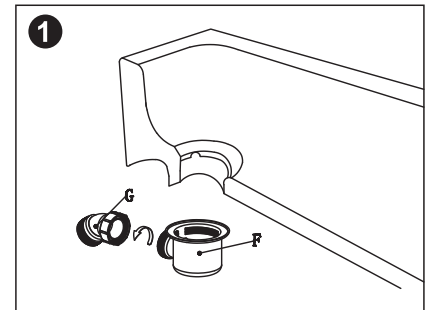


Installation Steps:

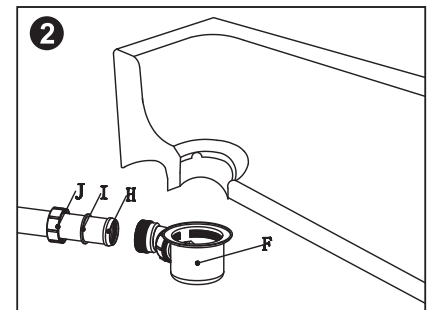
Disassemble the product according to the exploded diagram as per the front page

IMPORTANT NOTE: For water to drain correctly after installation - there needs to be at least a 1 degree fall on the waste pipe that reaches the soil/stack pipe. Without this fall, water may not drain away as quickly or may even cause the shower tray to puddle.

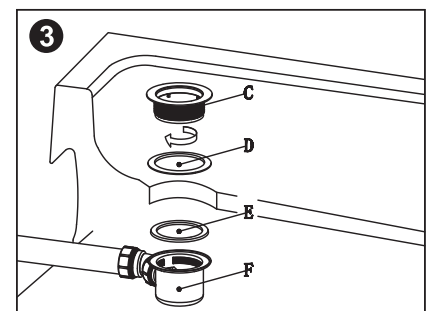
1. Turn the G onto F through the correct direction.



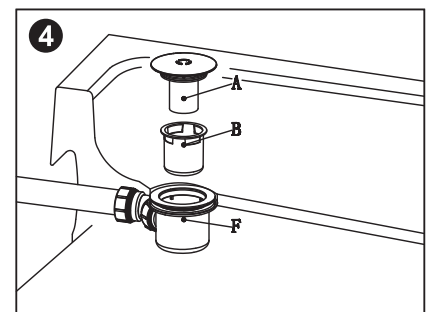
2. Then assemble elbow outlet pipe as per the picture 2.



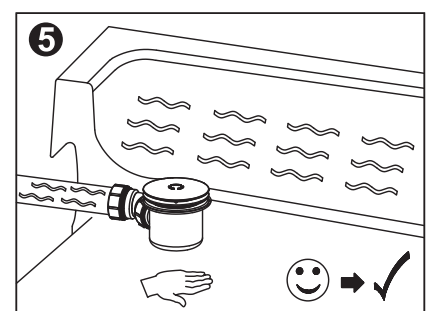
3. Assemble the gasket according to the picture 3, then twist C into the cup.



4. Then assemble the cap as per the picture 4.



5. Check for leaks



In use, should you notice the water drain time to increase- please remove cover "A" and remove any hair that may be blocking drainage.