

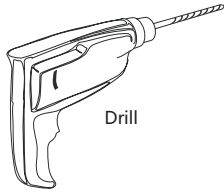
Installation Instructions

Robe Hook

Recommended Tools



Tape Measure



Drill



Regular Screwdriver



Phillips Screwdriver

CARE INSTRUCTIONS:

DO CLEAN THE PRODUCT WITH CLEAN WATER.

DRY WITH A SOFT COTTON FLANNEL CLOTH.

DO NOT: CLEAN THE PRODUCT WITH SOAPS, ACID, POLISH, ABRASIVES, HARSH CLEANERS, OR A CLOTH WITH A COARSE SURFACE.

Steps

1. Determine desired height and location.

Using the **mounting bracket**② as a template to mark the positions for the mounting holes.

2. Using $\Phi 8$ mm drill bit, drill 30mm deep mounting holes

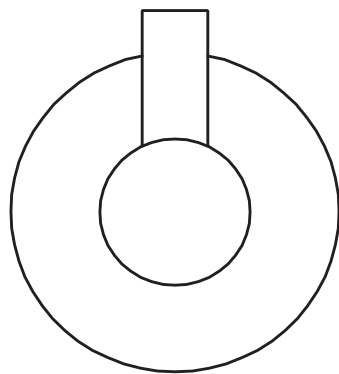
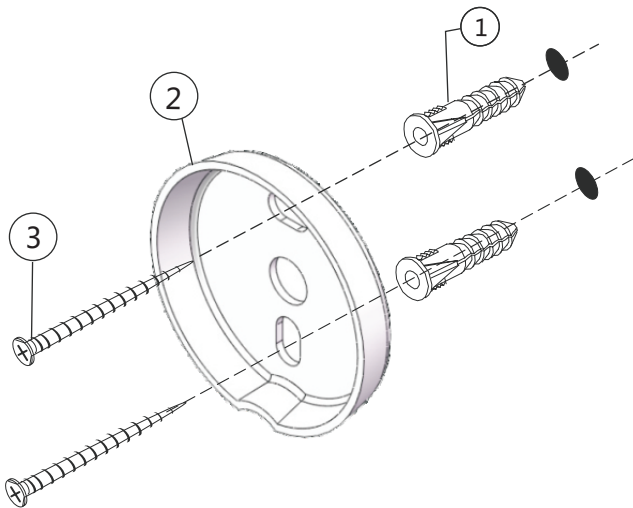
3. Position the bracket by inserting **wall plug**① into holes by pressing firmly.

4. Make sure the screw holes align vertically.

5. Tighten **the screws**③ while holding firmly in place. DO NOT over tighten.

6. Attach the hook by pressing firmly to **mounting bracket**②

7. Secure the hook to mounting bracket with the **grub screw**④



Finished product diagram

