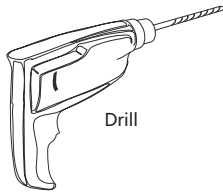


Glass Shelf

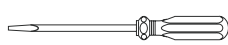
Recommended Tools



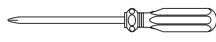
Tape Measure



Drill



Regular Screwdriver



Phillips Screwdriver

CARE INSTRUCTIONS:

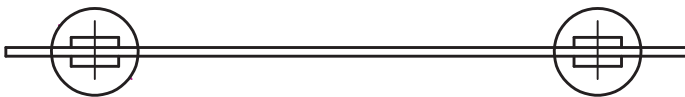
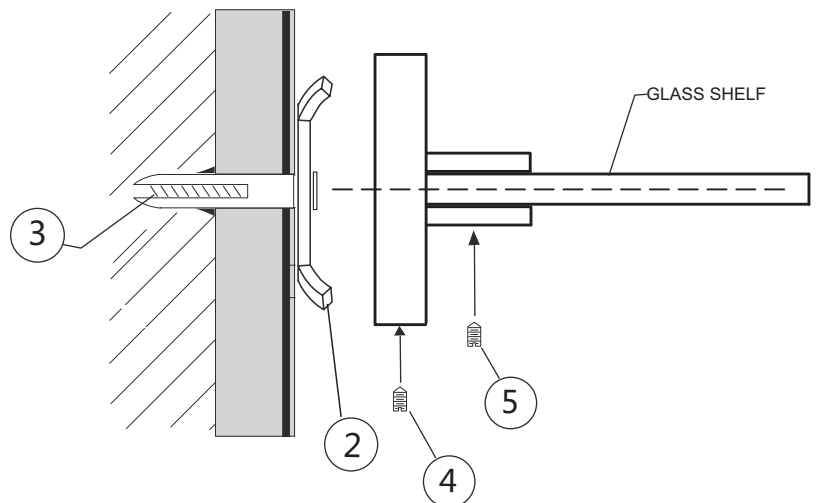
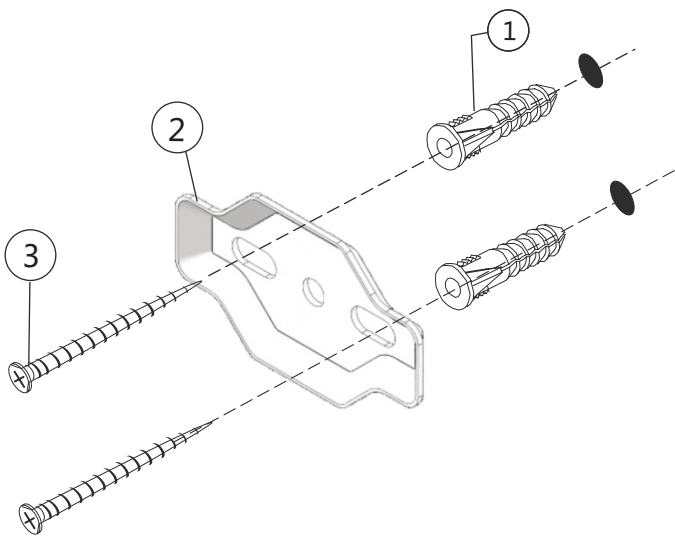
DO CLEAN THE PRODUCT WITH CLEAN WATER.

DRY WITH A SOFT COTTON FLANNEL CLOTH.

DO NOT: CLEAN THE PRODUCT WITH SOAPS, ACID, POLISH, ABRASIVES, HARSH CLEANERS, OR A CLOTH WITH A COARSE SURFACE.

Steps

1. Determine desired height and location.
Using the **mounting bracket**② as a template to mark the positions for the mounting holes.
2. Using $\Phi 8\text{mm}$ drill bit, drill 30mm deep mounting holes
3. Position the bracket by inserting **wall plug**① into holes by pressing firmly.
4. Make sure the screw holes align vertically.
5. Tighten **the screws**③ while holding firmly in place. DO NOT over tighten.
6. Attach the shelf clamp by pressing firmly to **mounting bracket**②
7. Secure the shelf clamp to mounting bracket with the **grub screw**④
8. Secure the glass shelf to the shelf clamp by tightening the **grub screws**⑤.



Finished product diagram