

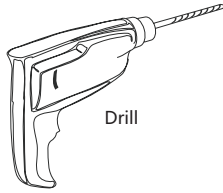
Installation Instructions

Single Towel Rail

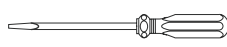
Recommended Tools



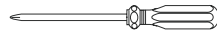
Tape Measure



Drill



Regular Screwdriver



Phillips Screwdriver

CARE INSTRUCTIONS:

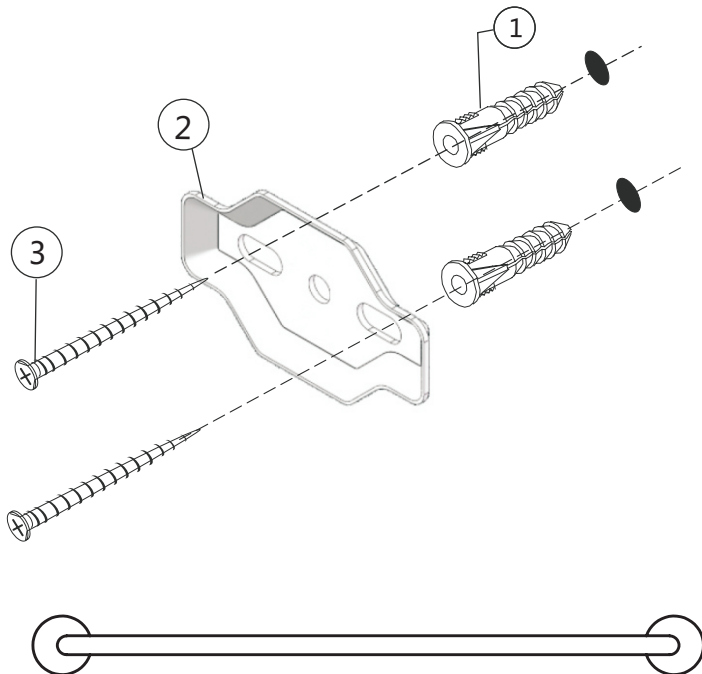
DO CLEAN THE PRODUCT WITH CLEAN WATER.

DRY WITH A SOFT COTTON FLANNEL CLOTH.

DO NOT: CLEAN THE PRODUCT WITH SOAPS, ACID, POLISH, ABRASIVES, HARSH CLEANERS, OR A CLOTH WITH A COARSE SURFACE.

Steps

1. Determine desired height and location.
2. Using the **mounting bracket**② as a template to mark the positions for the mounting holes.
3. Position the bracket by inserting **wall plug**① into holes by pressing firmly.
4. Make sure the screw holes align vertically.
5. Tighten **the screws**③ while holding firmly in place. DO NOT over tighten.
6. Attach the towel rail by pressing firmly to **mounting bracket**②
7. Secure the towel rail to mounting bracket with the **grub screw**④
8. Fixing the other end of Towel Rail as previous described.



Finished product diagram

