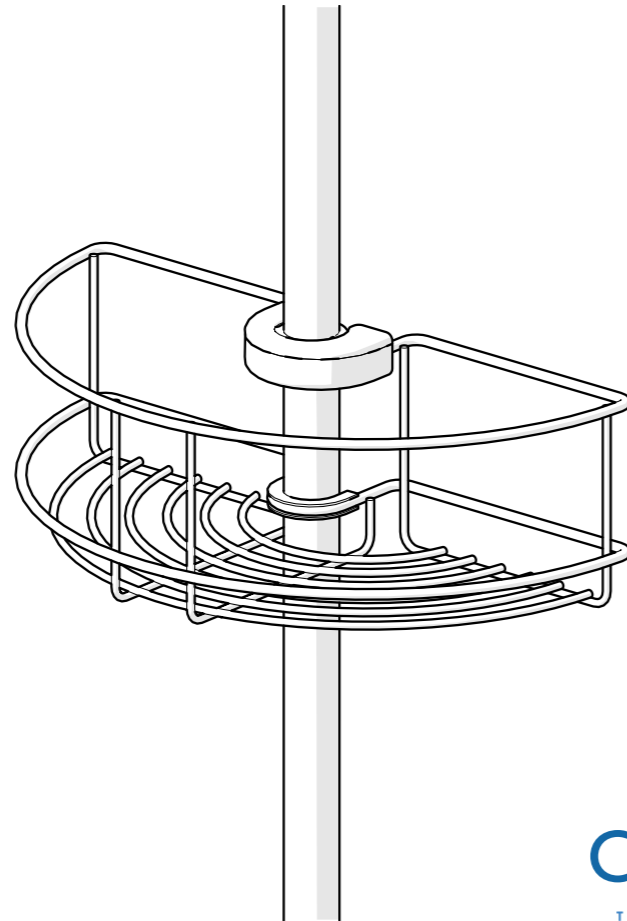
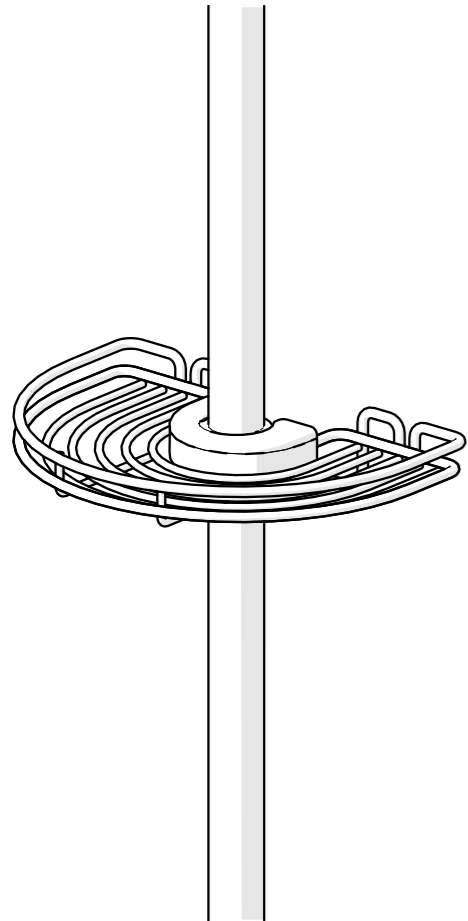


**RISER RAIL SOAP BASKET
QM261441**

**RISER RAIL BASKET
QM261041**



SAFETY AND CARE 

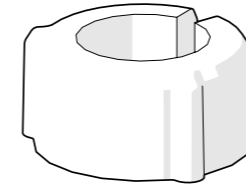
1. To retain the best quality finish, clean product regularly with a soft damp cloth.
2. Do not use abrasive or chemical cleaners, as these may damage the product.
3. The maximum safe working load for the basket is 2kg distributed evenly.

NOTE:

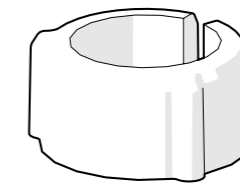
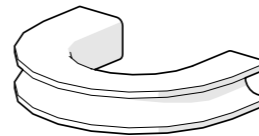
If you are having trouble sliding the bracket onto the Rubber Collet, place the Collet in hot water to increase its flexibility. Alternatively, lightly lubricate the surface with liquid soap to make the installation easier.



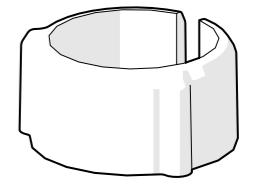
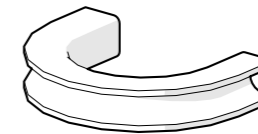
- 1 Measure the diameter of the riser rail and choose the most appropriate Collet to fit your rail.



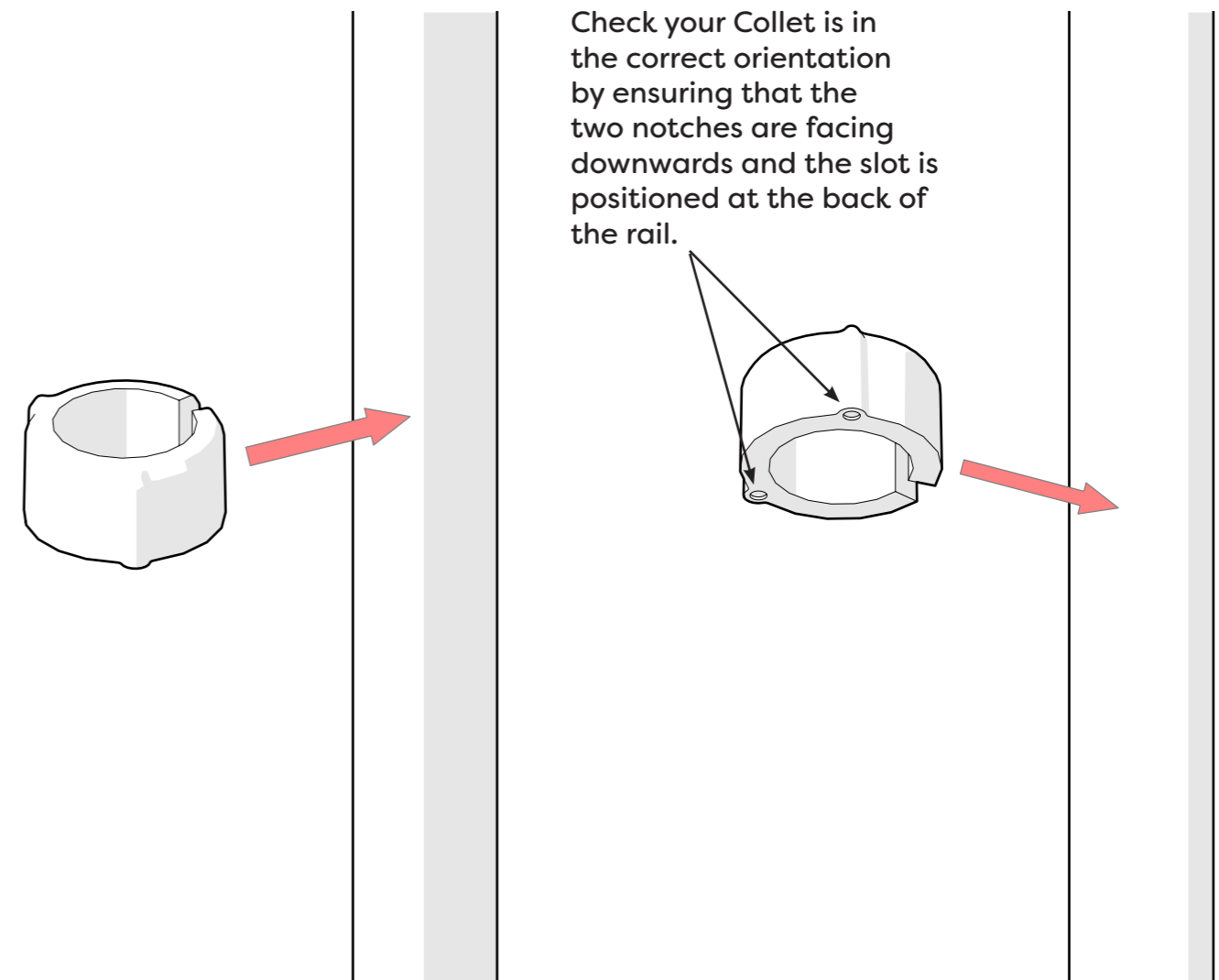
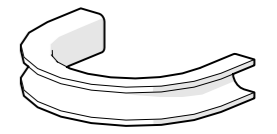
**18MM - 21MM
COLLET AND
U-COMPONENT**



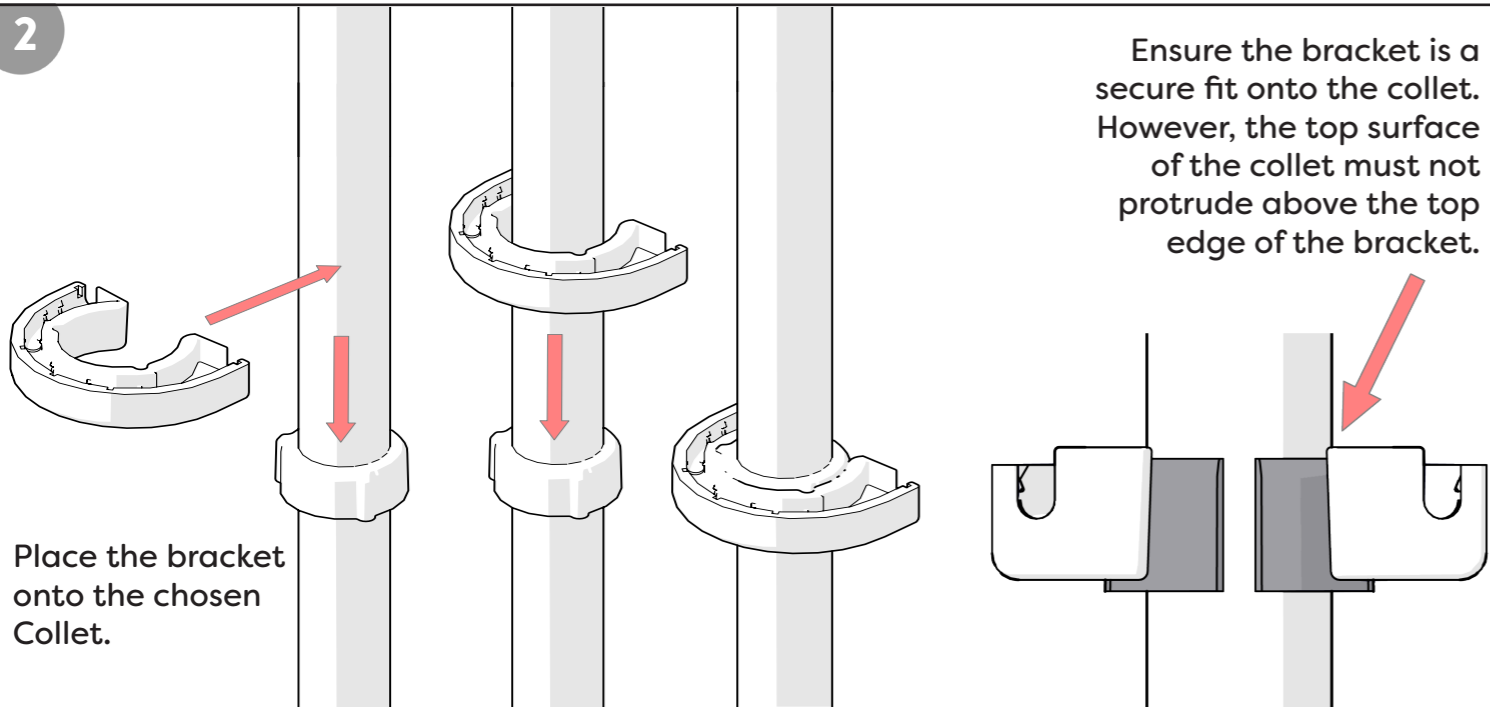
**21MM - 24MM
COLLET AND
U-COMPONENT**



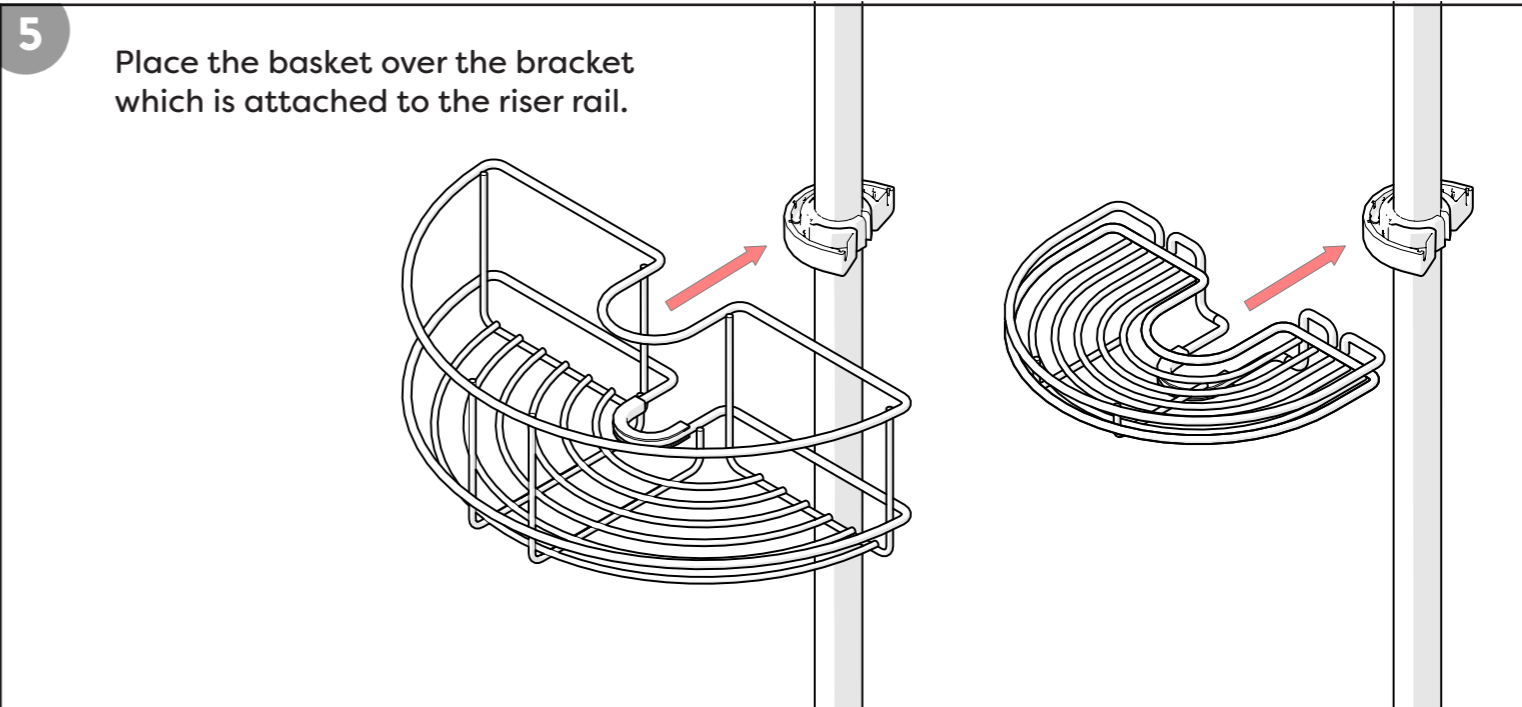
**24MM - 27MM
COLLET AND
U-COMPONENT**



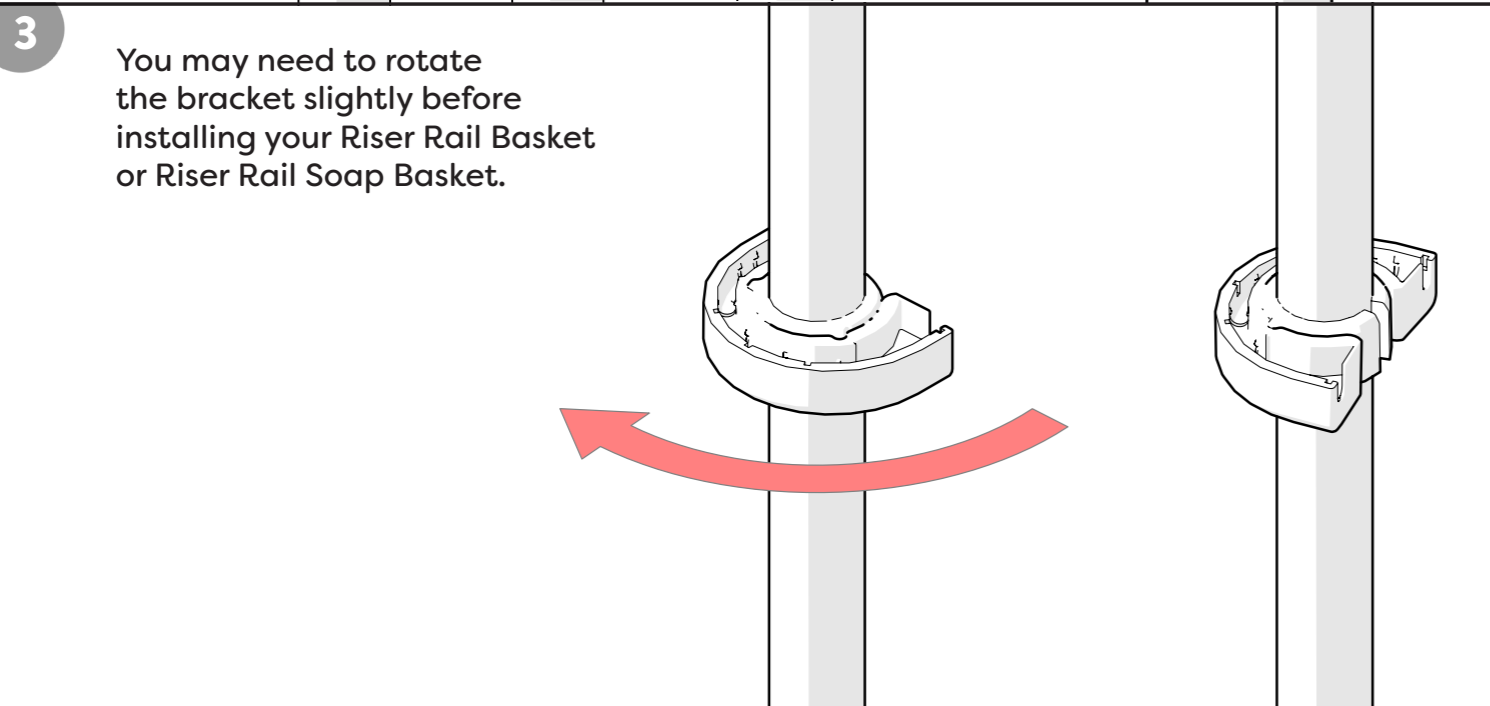
2



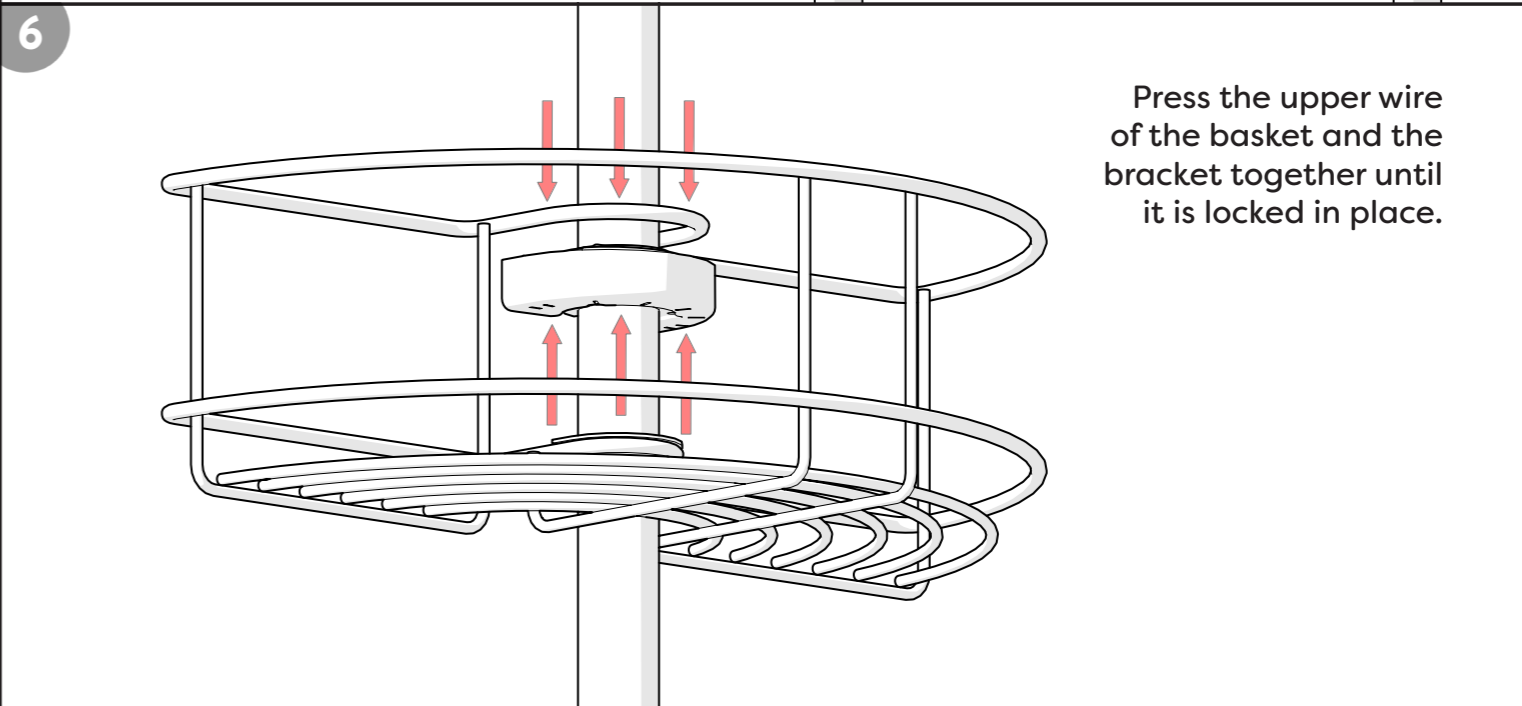
5



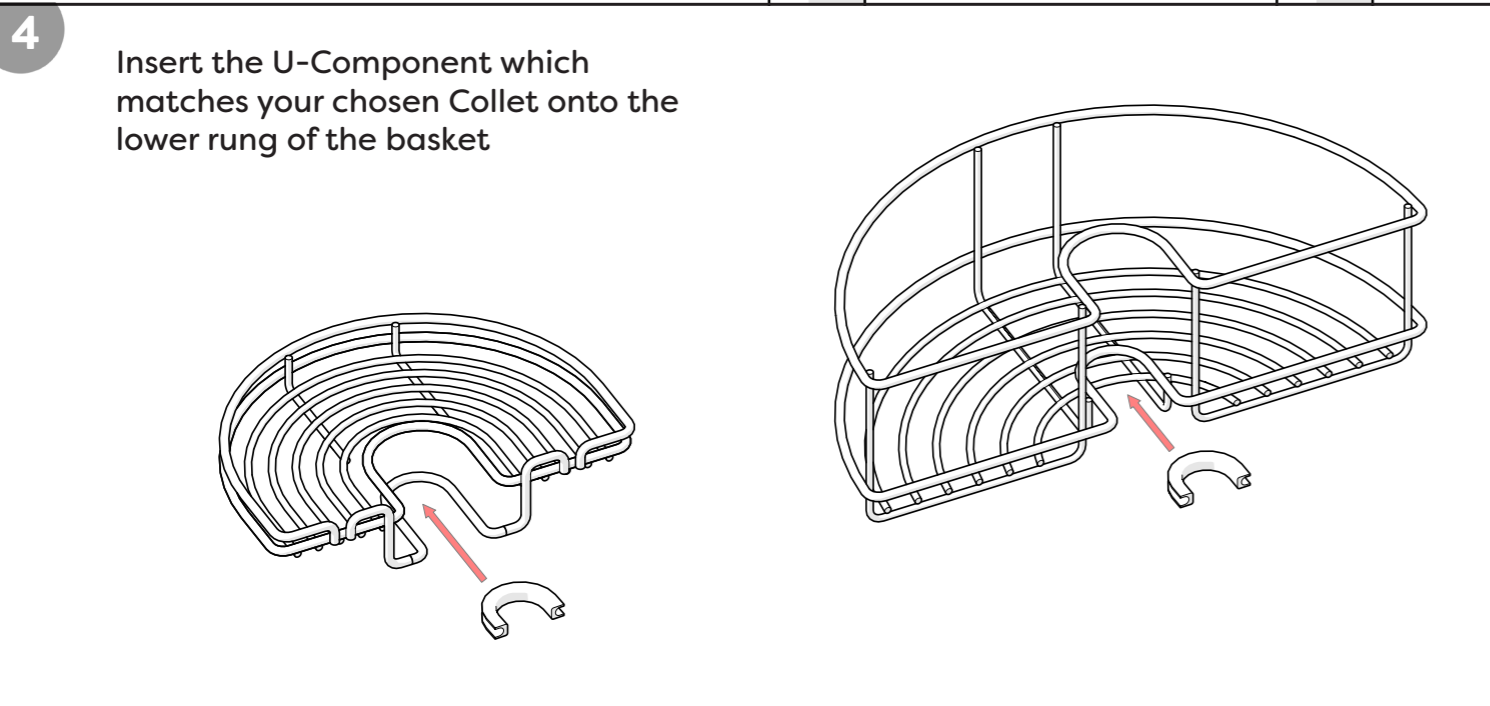
3



6



4



7

