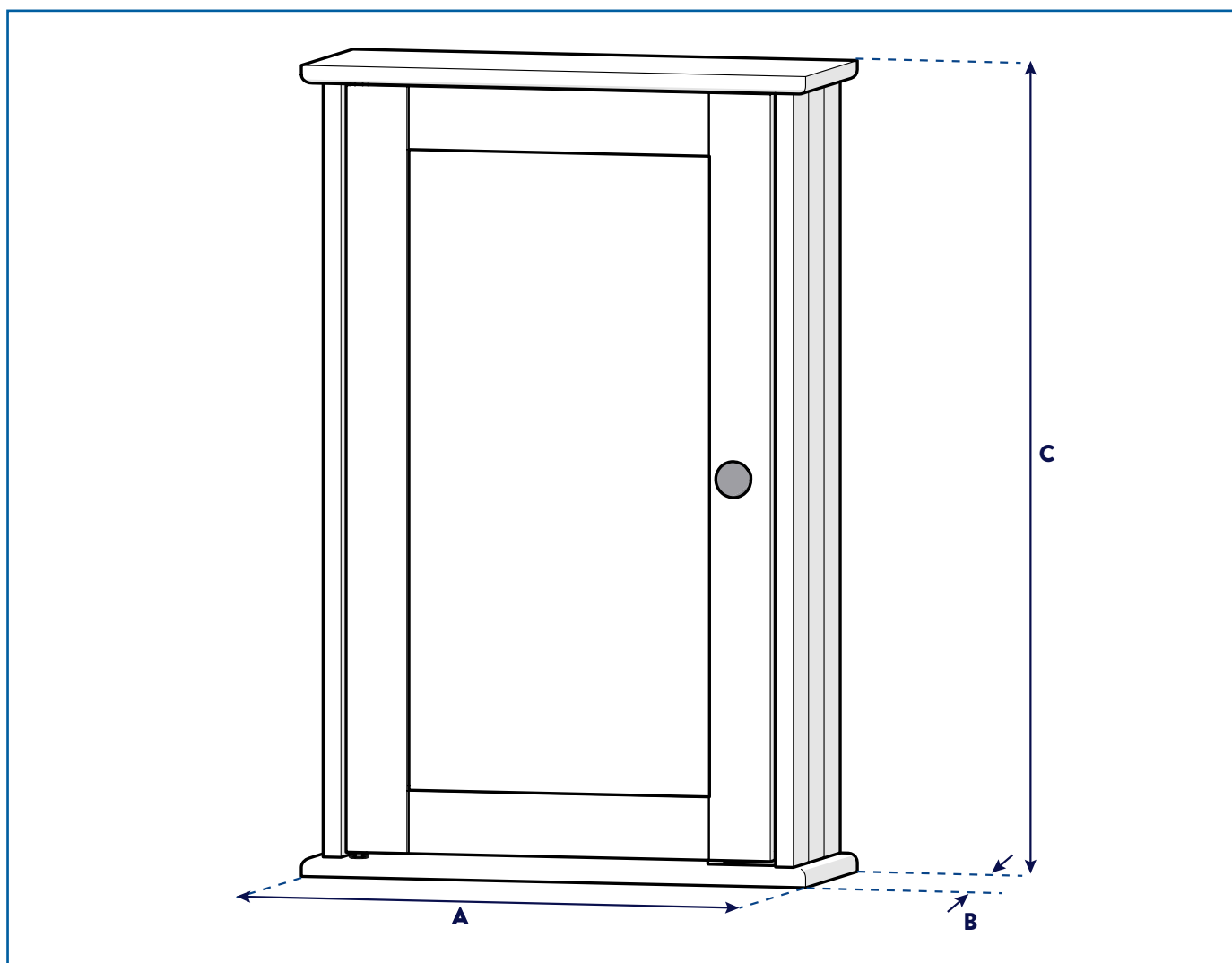


WC2801## MALTON SINGLE DOOR CABINET



CONTACT DETAILS

Croydex
Central Way
Andover
Hampshire
SP10 5AW
UK

Tel: +44 (0)1264 365881
Email: info@croydex.co.uk

www.croydex.com

PRODUCT DIMENSIONS (SEE ABOVE)

A - 340MM
B - 130MM
C - 530MM

**ALL ILLUSTRATIONS OF THE PRODUCT ARE FOR
REFERENCE ONLY. COMPONENTS SUPPLIED WITH
INDIVIDUAL PRODUCTS MAY DIFFER**

**ALL PRODUCT DIMENSIONS DETAILED IN THIS
INSTALLATION AND MAINTENANCE MANUAL ARE
APPROXIMATE**

TABLE OF CONTENTS

SECTION	CONTENTS	PAGE
1	INTRODUCTION	2
2	PRE-INSTALLATION	3
3	CABINET ASSEMBLY	4 - 6
4	MOUNTING THE CABINET	7 - 8

SECTION 1 INTRODUCTION

Please follow all assembly and product care instructions to ensure that your product is assembled safely and retains its high quality finish.

PLEASE RETAIN THIS MANUAL FOR FUTURE REFERENCE

SAFETY & PRODUCT CARE

- 1. ALWAYS** take care when using power tools, particularly if there is any water in the working area.
- 2. ALWAYS** wear eye protection when using power tools.
- 3. ALWAYS** check for pipes and cables before drilling into walls.
- 4. NEVER** use a hammer drill when drilling into tiled surfaces.
- 5. ALWAYS** use a drill bit that is suitable for the surface that is being drilled.
- The wall plugs supplied are for use on solid walls only. For cavity walls or plasterboard **ALWAYS** use specialist fixings that are suitable for the type of wall construction.
- Wall plugs should be inserted flush with wall surfaces. If fitting to a tiled surface, the wall plugs should be inserted below the surface of the tile to avoid cracking of the tiles.
- 8. DO NOT** use abrasive or chemical cleaners as these may damage the product.
- 9. DO NOT** slam the door open, as this may damage the hinge.
- 10. DO NOT** use power tools for assembling the product including power drills and power screwdrivers.
- 11. DO NOT** strike the product with hard or sharp objects.



SECTION 2 PRE-INSTALLATION

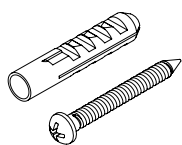
PRODUCT FITTING

IMPORTANT!

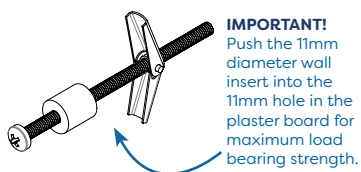
Before attempting to fit or use this product. Ensure that it can be properly installed in the location you wish it to be in. Refer to the product dimensions found on the front cover.

FIXING PACK

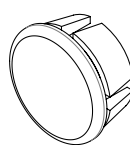
Wall Plug & Mounting Screw x4



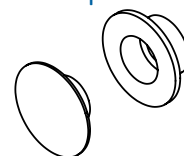
Toggle Bolt Wall Insert x4



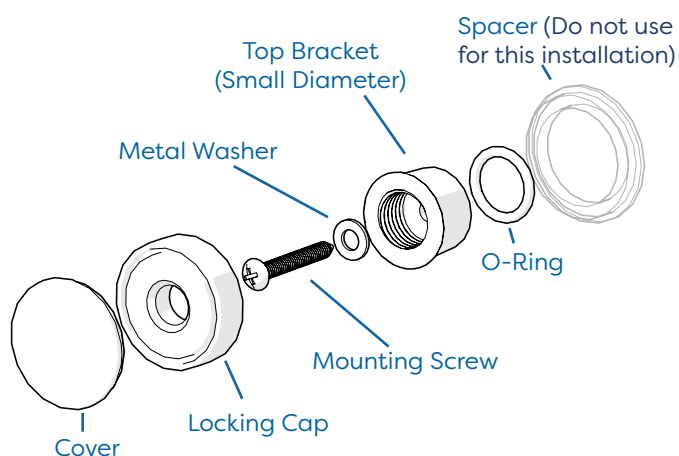
Hole Blanking Cap x4



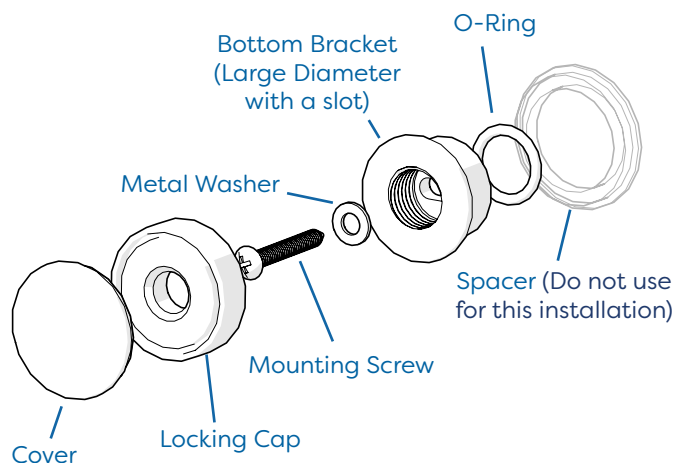
Top Hat Bracket & Cap x2



Top Bracket Mounting Components



Bottom Bracket Mounting Components



IMPORTANT! THE SPACER MOULDING IS NOT REQUIRED WITH THIS CABINET

CABINET ASSEMBLY KIT



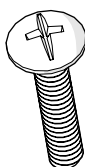
x2 M3 x 13mm Countersunk Screw

B



x1 M3 x 9mm Countersunk Screw

C



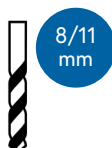
x1 M4 x 19mm Pan head machine Screw

D



x1 Wood Adhesive

TOOLS REQUIRED

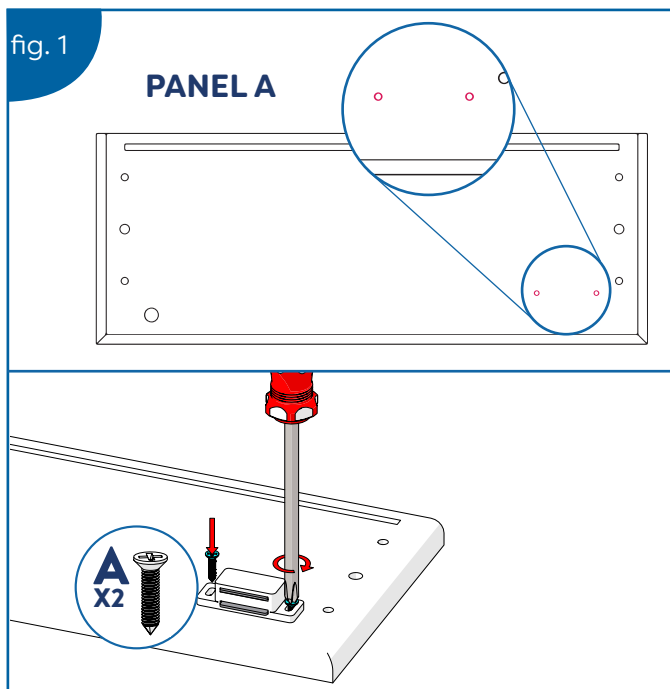


SECTION 3 - CABINET ASSEMBLY

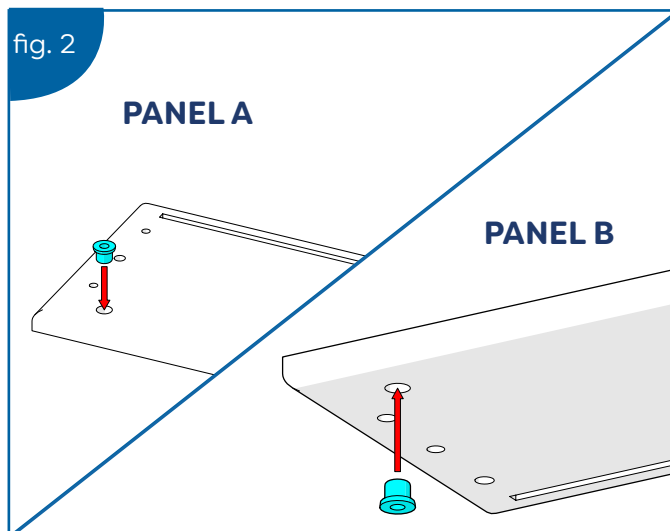
PLEASE NOTE: The following instructions will allow the cabinet to be orientated with either a left or right hand opening door. See page 7, step 13 for further details.

ATTACHING COMPONENTS

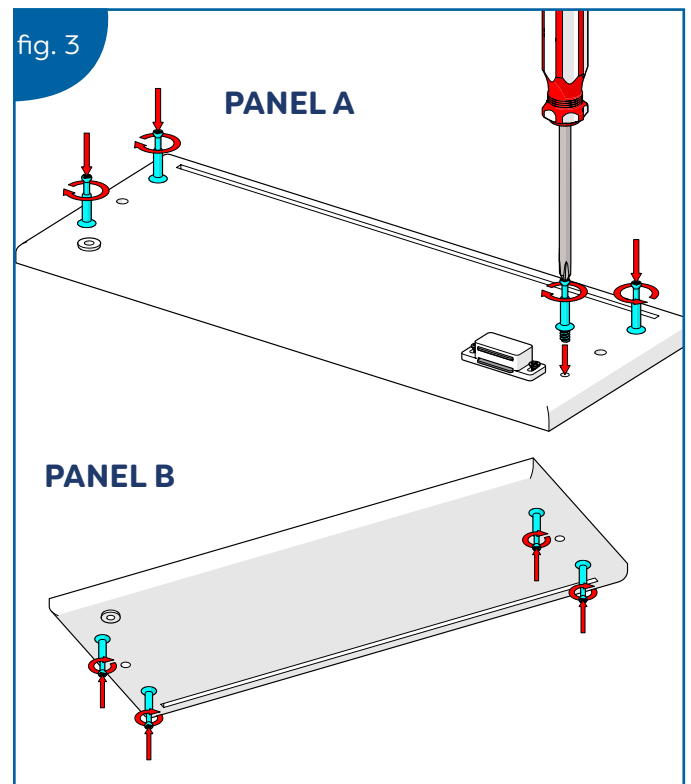
1. Identify **PANEL A** of the cabinet with this pair of mounting holes for the magnetic door catch. Using the two screws **(A)**, mount the magnetic door catch to panel A.
(See Fig. 1)



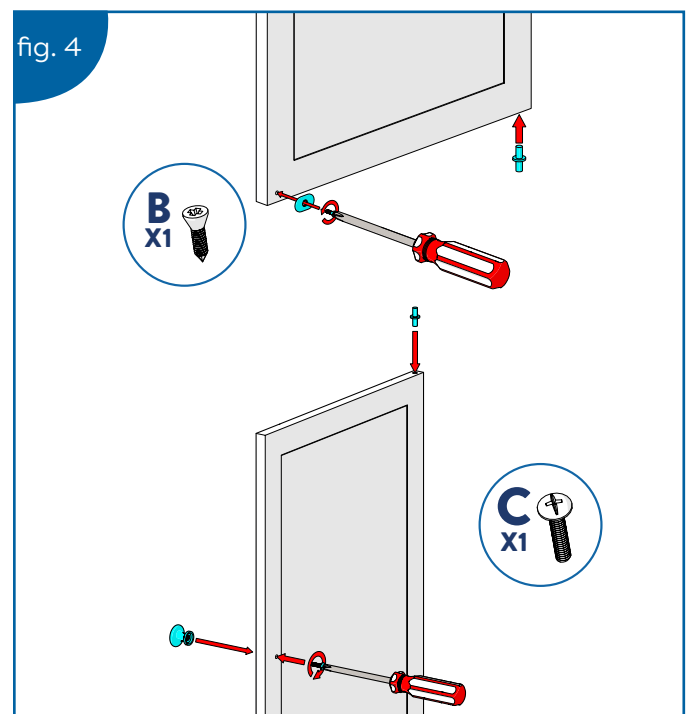
2. Insert a door pivot bushing into both **PANEL A** and **PANEL B** of the cabinet as shown.
(See Fig. 2)



3. Screw in all 8 cam locking pins. 4 into **PANEL A** and 4 into **PANEL B**.
(See Fig. 99)

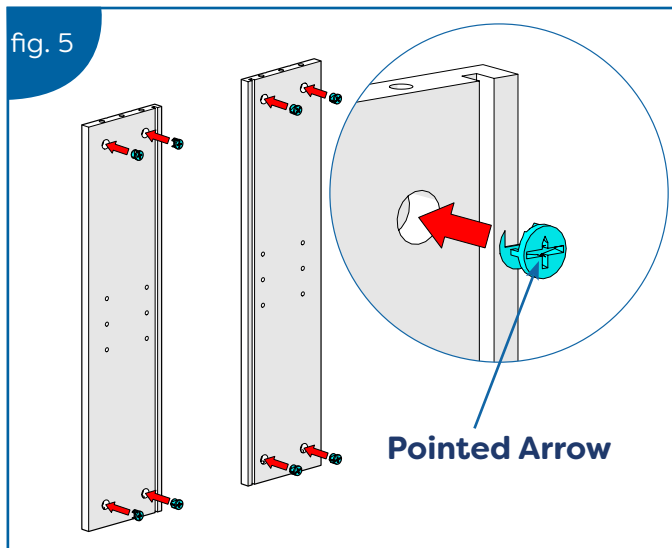


4. Insert a hinge pin into the hole at the top and bottom of the door. Attach the magnetic door plate with the screw **(B)**. Then attach the door knob using the screw **(C)**.
(See Fig. 4)



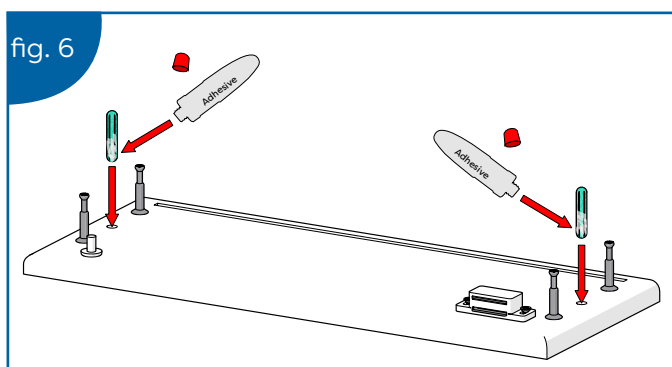
SECTION 3 - CABINET ASSEMBLY

5. Insert 4 cam locks into the recesses in each side of the cabinet. Ensure the pointed arrow is facing the ends of the panel as shown. (See Fig. 5)

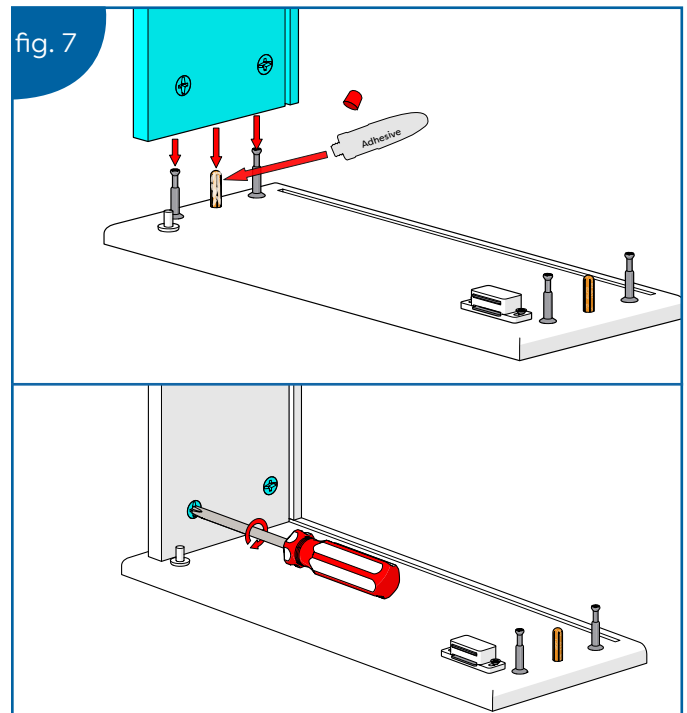


ASSEMBLING THE CABINET

6. Apply the adhesive (D) to one half of each dowel, then press firmly into each of the two holes in **PANEL A**. Repeat this for the two holes in **PANEL B**. (See Fig. 6)

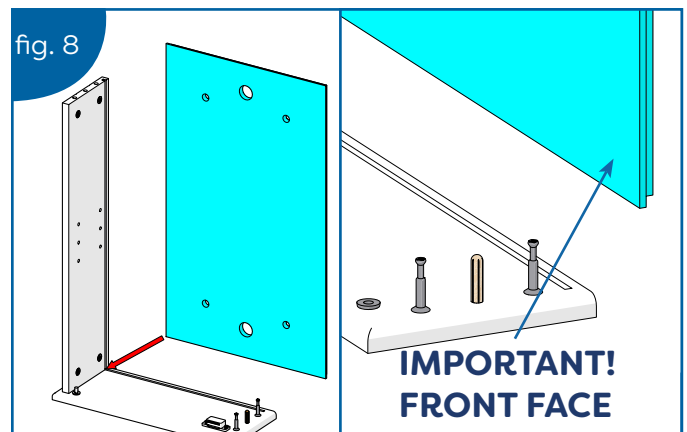


7. Apply adhesive (D) to the top half of the dowel on the left hand side of **PANEL B**. Insert the left hand panel down onto **PANEL B**, ensuring that it is flush with the surface. Then tighten the locking cams clockwise to secure in place. **DO NOT OVERTIGHTEN!** Wipe away any excess adhesive. (See Fig. 7)



8. Insert the back panel ensuring it sits in the recesses properly.

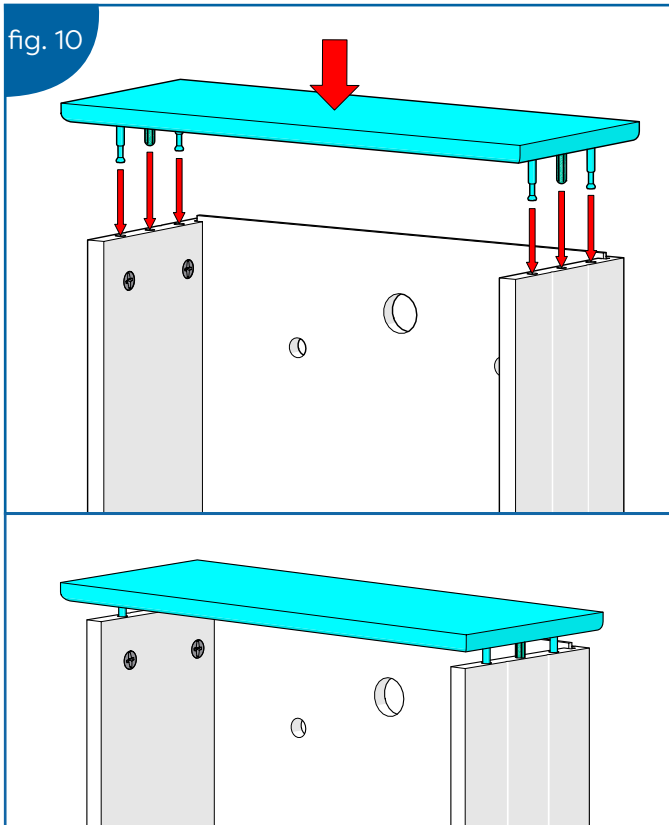
IMPORTANT: Ensure the back panel is facing the correct direction. The larger face should be facing the front of the cabinet. (See Fig. 8)



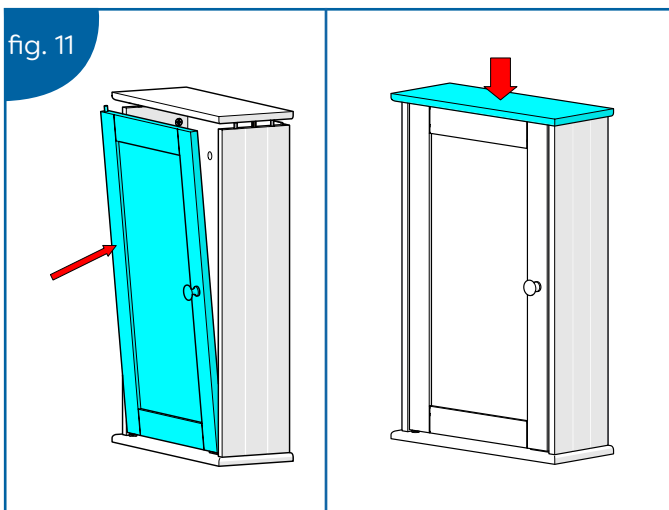
9. Repeat step 7 for the right hand panel, ensure that it slots together with the back panel. (See Fig. 7)

SECTION 3 - CABINET ASSEMBLY

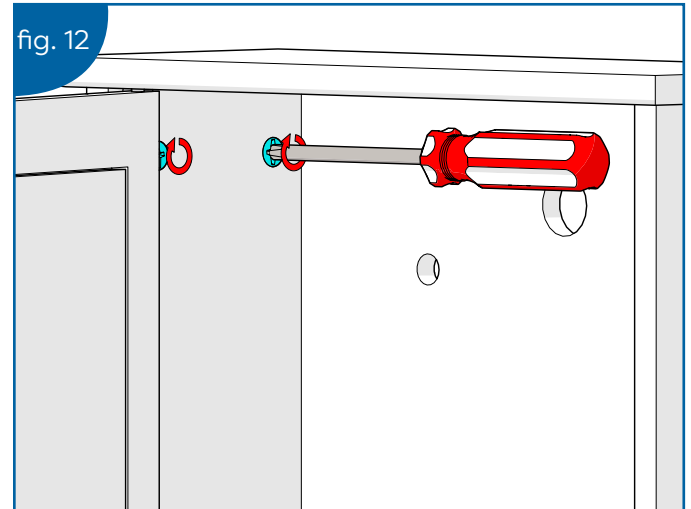
10. Apply adhesive to the top half of both dowels on **PANEL B**. Locate **PANEL A** onto the side panels via the dowels and cam locking pins and press down until **PANEL A** sits half way down on the cam locking pins. (See Fig. 10)



11. Insert the door so that the hinge pins sit inside the top and bottom bushings. Once in place. Push **PANEL A** all the way down until it sits flush. (See Fig. 11)



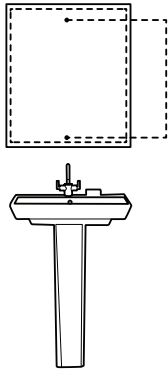
12. Tighten all four top locking cams. **DO NOT OVERTIGHTEN!** Wipe away any excess adhesive. (See Fig. 12)



SECTION 4 - MOUNTING THE CABINET

13. Place the cabinet in the desired position on the wall and mark the position of the top mounting hole. Note that the cabinet can be positioned with either a left or right opening door. Simply turn the cabinet upside down to change the door opening direction. (See Fig. 13)

fig. 13



14. Drill an 8mm hole in the marked position. Then insert the wall plug flush to the surface of the wall. If fitting to a tiled surface, the wall plug should be inserted **below the surface** of the tile to avoid cracking.

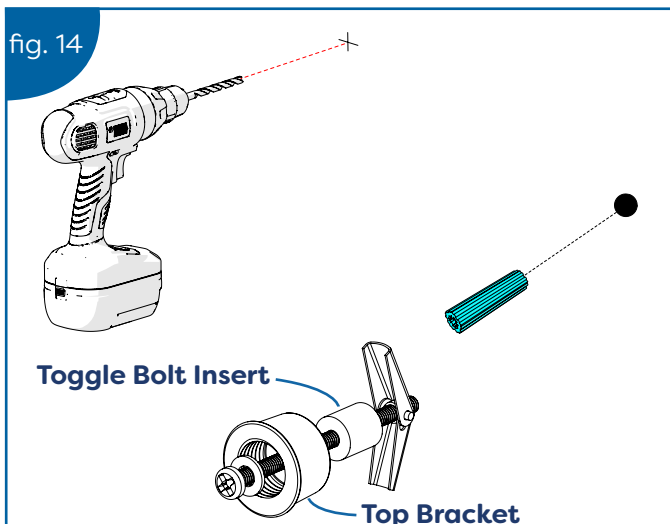
For cavity walls drill an 11mm diameter hole and assemble the top bracket and metal washer onto the toggle bolt as shown. Ensure the 11mm diameter toggle bolt insert is pushed into the hole in the plaster board wall for maximum strength. (See Fig. 18)

IMPORTANT!

If the wall plugs are not inserted flush with the wall surface, the O-ring will not contact the wall correctly. This will prevent the bracket from functioning properly.

(See Fig. 14)

fig. 14

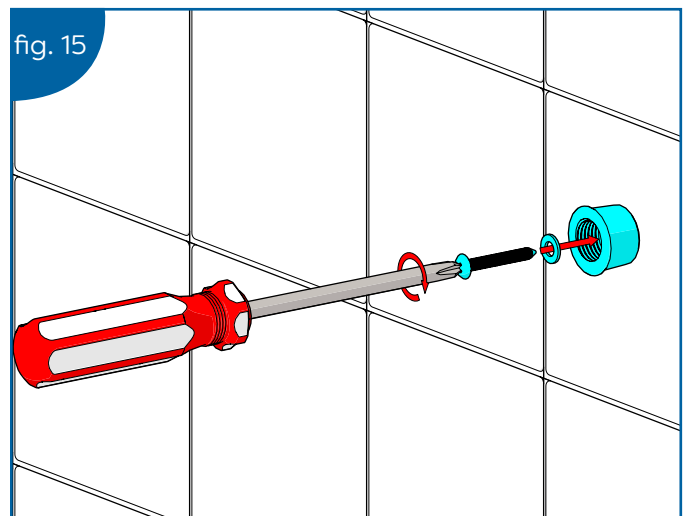


15. Fasten the top bracket to the wall ensuring the O-ring is correctly seated at the back of the bracket. **DO NOT OVERTIGHTEN.** (This image shows the solid wall installation.)

IMPORTANT: The top bracket has a smaller diameter outer flange to the bottom bracket.

(See Fig. 15)

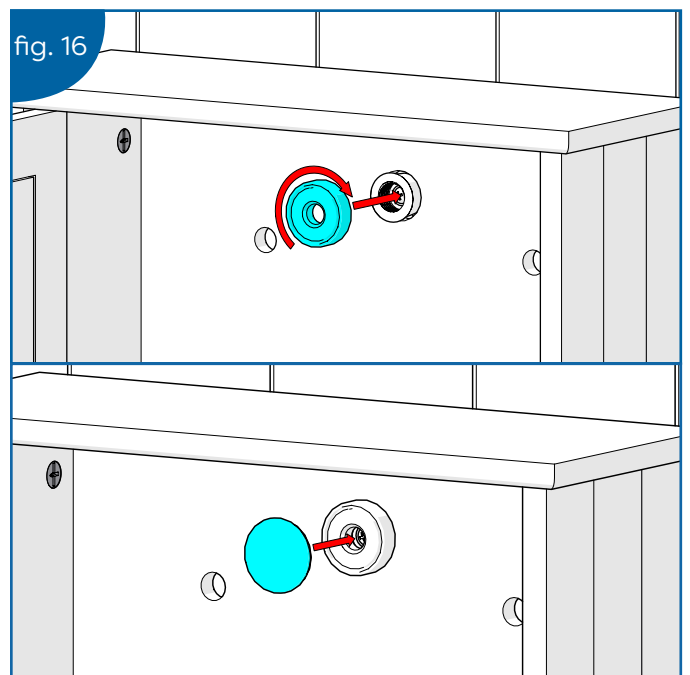
fig. 15



16. Hang the cabinet onto the top wall bracket and secure in place by screwing the locking cap onto the top bracket. Then, place the cover onto the locking cap.

(See Fig. 16)

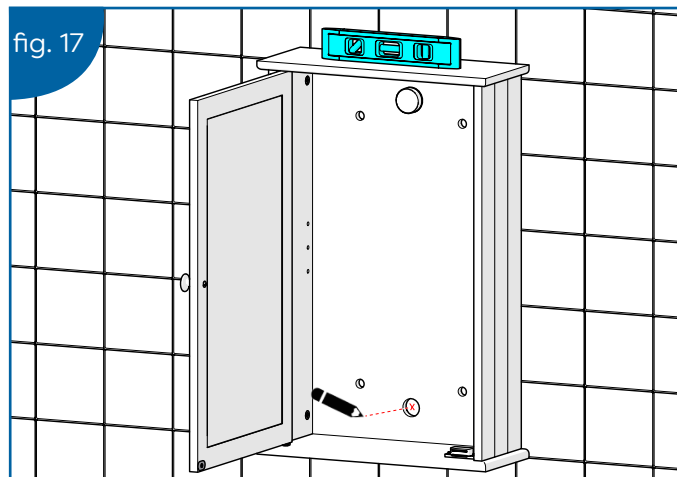
fig. 16



SECTION 4 - MOUNTING THE CABINET

17. Using a spirit level, adjust the cabinet so that it is level. Once level, accurately mark a hole in the centre of the bottom fixing hole using the bottom bracket as a guide.

(See Fig. 17)

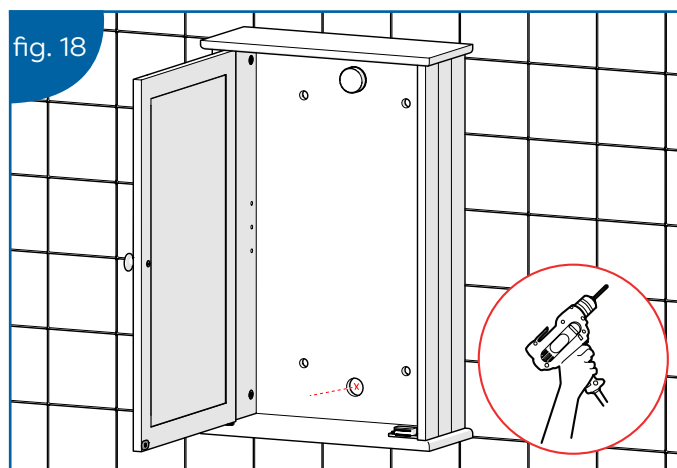


18. Drill an 8mm hole in the marked position. Then insert the wall plug **flush** to the surface of the wall. If fitting to a tiled surface, the wall plug should be inserted **below the surface** of the tile to avoid cracking.

For cavity walls drill an 11mm diameter hole and assemble the bottom bracket and metal washer onto the toggle bolt as shown. Ensure the 11mm diameter toggle bolt insert is pushed into the hole in the plaster board wall for maximum strength.

IMPORTANT!

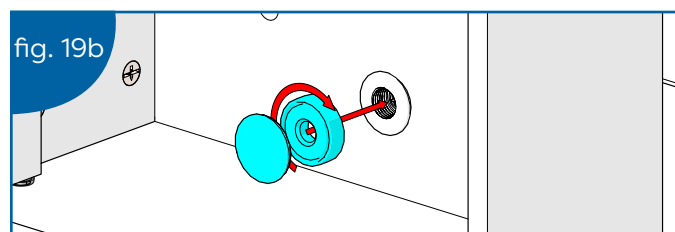
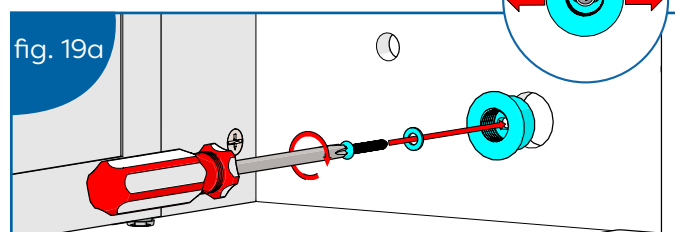
If the wall plugs are not inserted flush with the wall surface, the O-ring will not contact the wall properly. This will prevent the bracket from functioning properly.



19. Screw the bottom bracket in position as shown and check that the cabinet is level. If the cabinet is not level, loosen the screw and adjust the cabinet until it is level. The slot will allow...

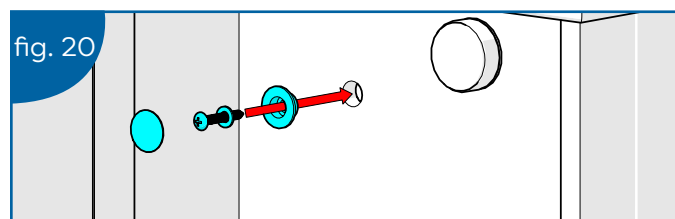
for adjustment. Once level, re-tighten the screw. Then screw the locking cap to the bottom bracket and fit the cover.

(See Fig. 19a & 19b)



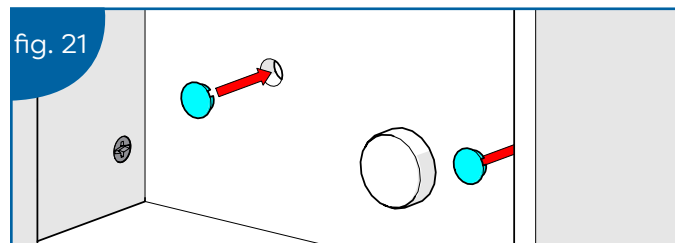
20. Additional top fixings are supplied if required and these can be fixed with wall plugs or toggle bolts.

(See Fig. 20)



21. Insert the hole blanking caps into the bottom holes (and the top holes if you have not used additional fixings).

(See Fig. 21)



22. Assemble the shelf supports and shelf in the desired position.

(See Fig. 22)

