

Please read these instructions before installation.

Safety: Handle the product with care. When drilling walls check for hidden pipes and electric cables. Use safety eye wear when drilling. Keep all small parts and screws away from children. This is a heavy item so seek help when handling and installing if necessary.

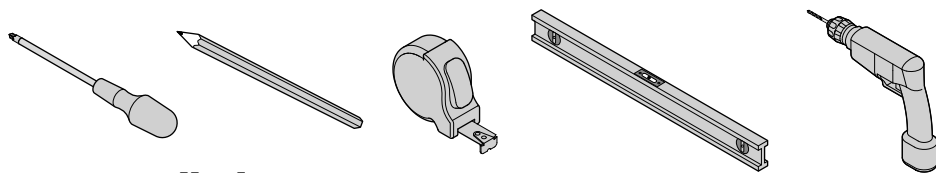
Customer support: We have taken great care to ensure that this product reaches you in perfect condition. However, should any parts be damaged or missing please contact your local Wickes branch. This does not affect your statutory rights. In addition if you require replacement parts, your local Wickes branch will be only to happy to assist.

Cleaning: Clean with warm water, a clean cloth or soft sponge. Use normal domestic soaps that have no abrasive ingredients. Then wipe with fresh water, removing all traces of cleaning agent, to prevent streaks forming. Dry the surface with a clean, absorbent cloth or paper towels.

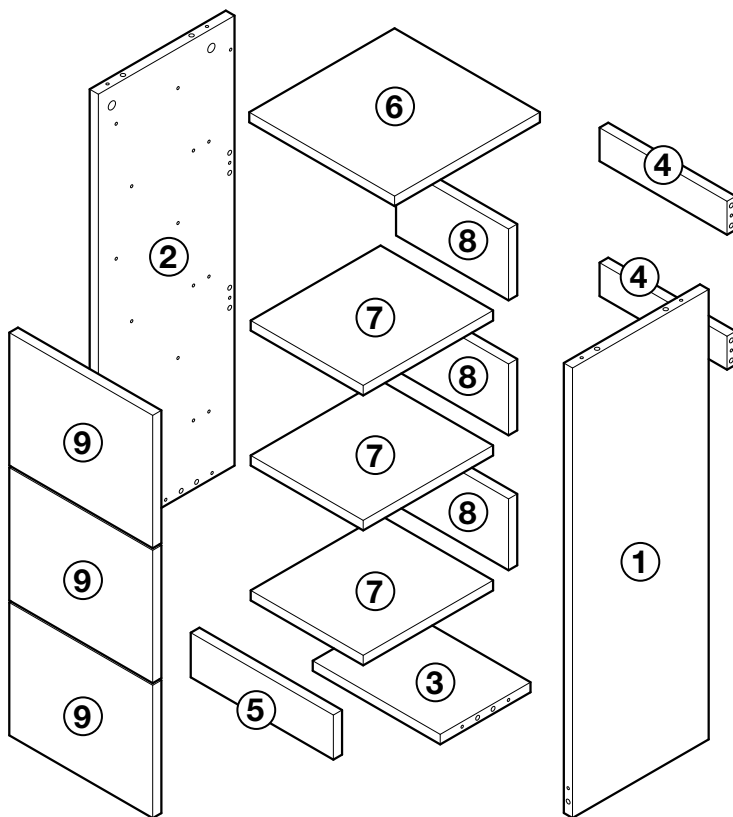
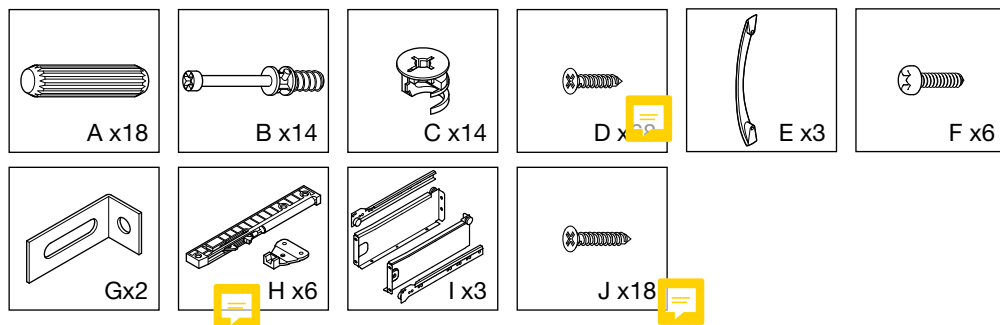
The following cleaning agents should not be used under any circumstances:

- Scouring and abrasive agent (abrasive powders, scouring pads, steel wool)
- Polish, washing powder, furniture cleaner bleach
- Detergents with strong acids and acidic salts
- Steam cleaning equipment

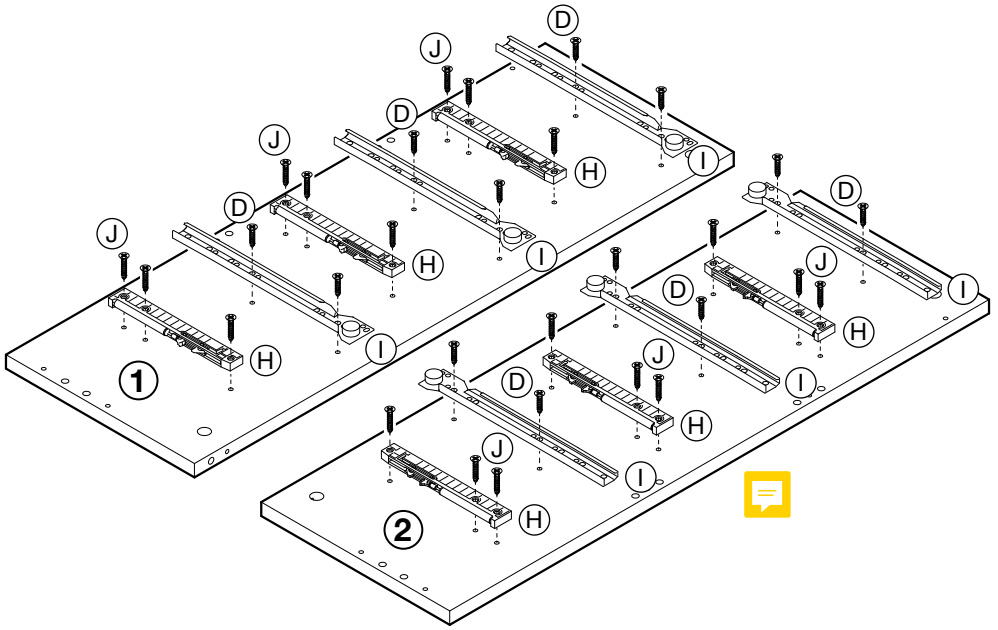
Tools required (not supplied)



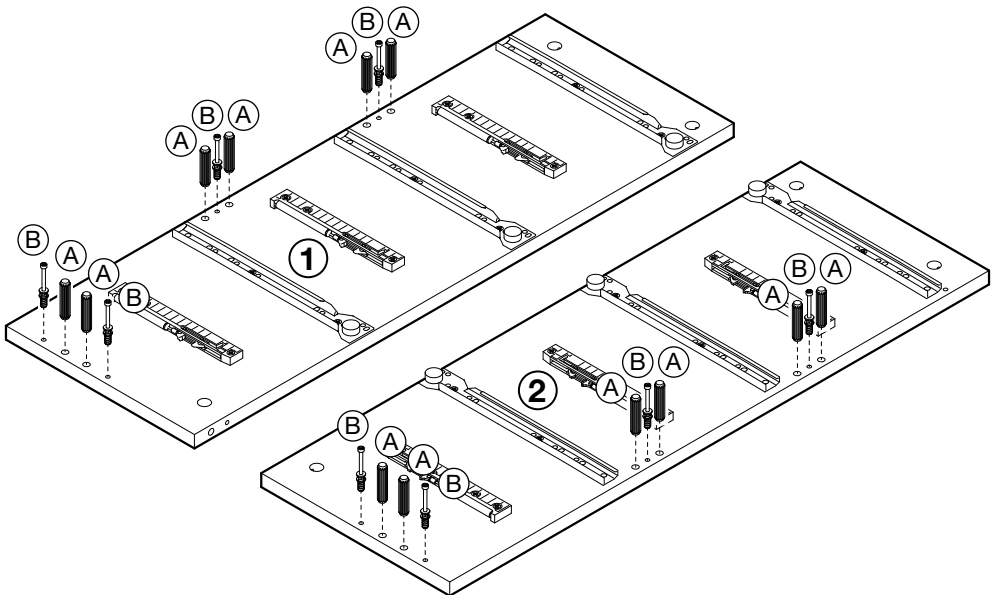
Parts supplied



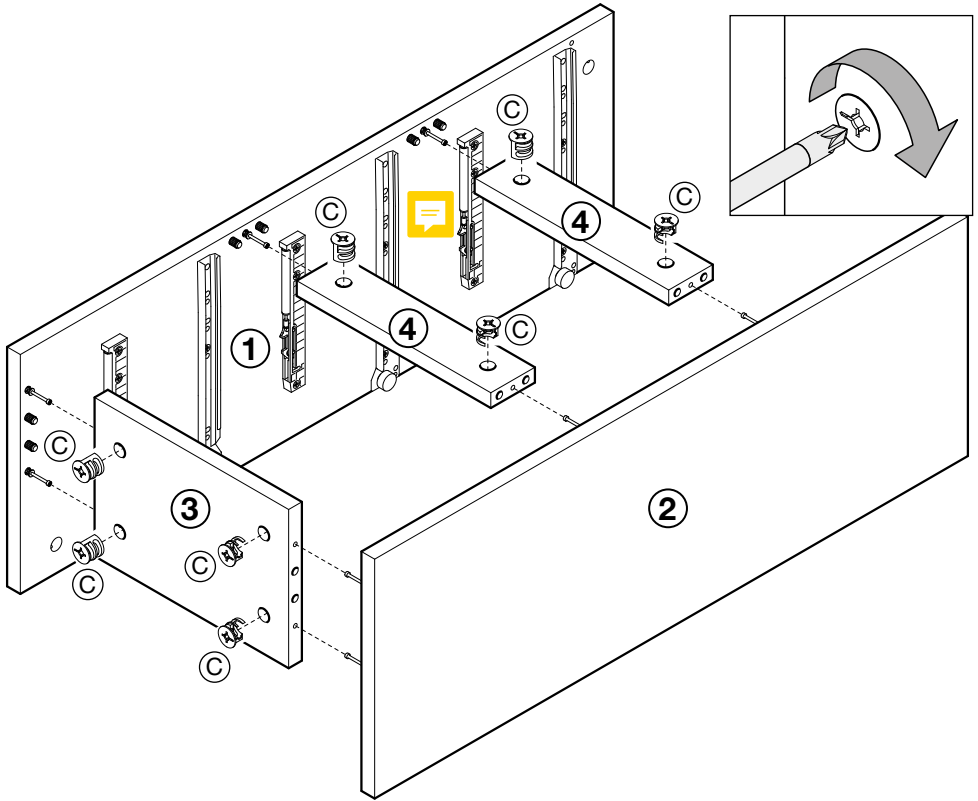
STEP 1



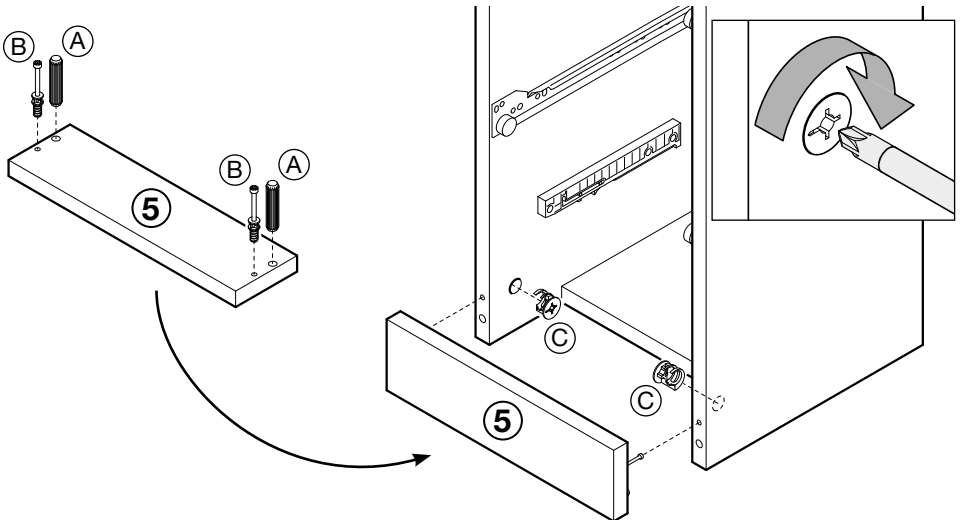
STEP 2



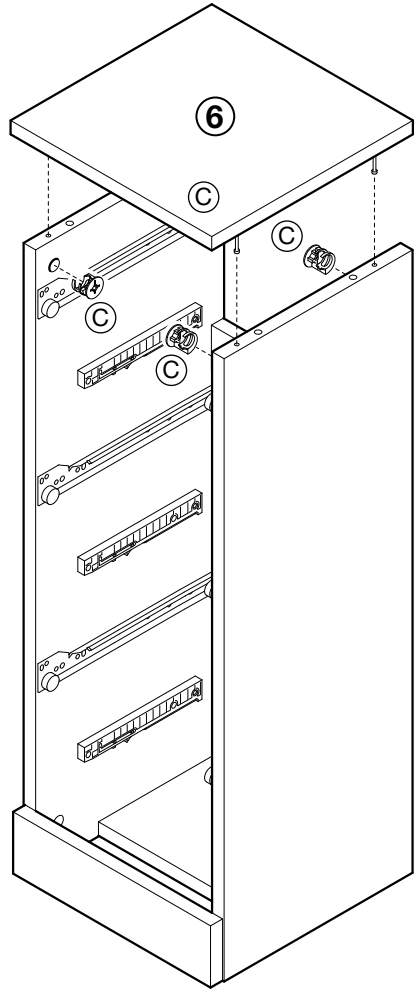
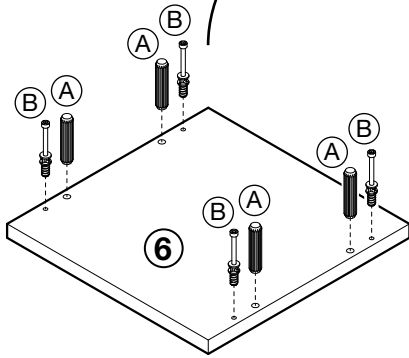
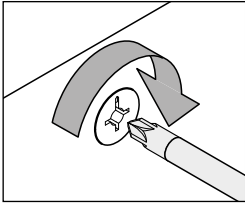
STEP 3



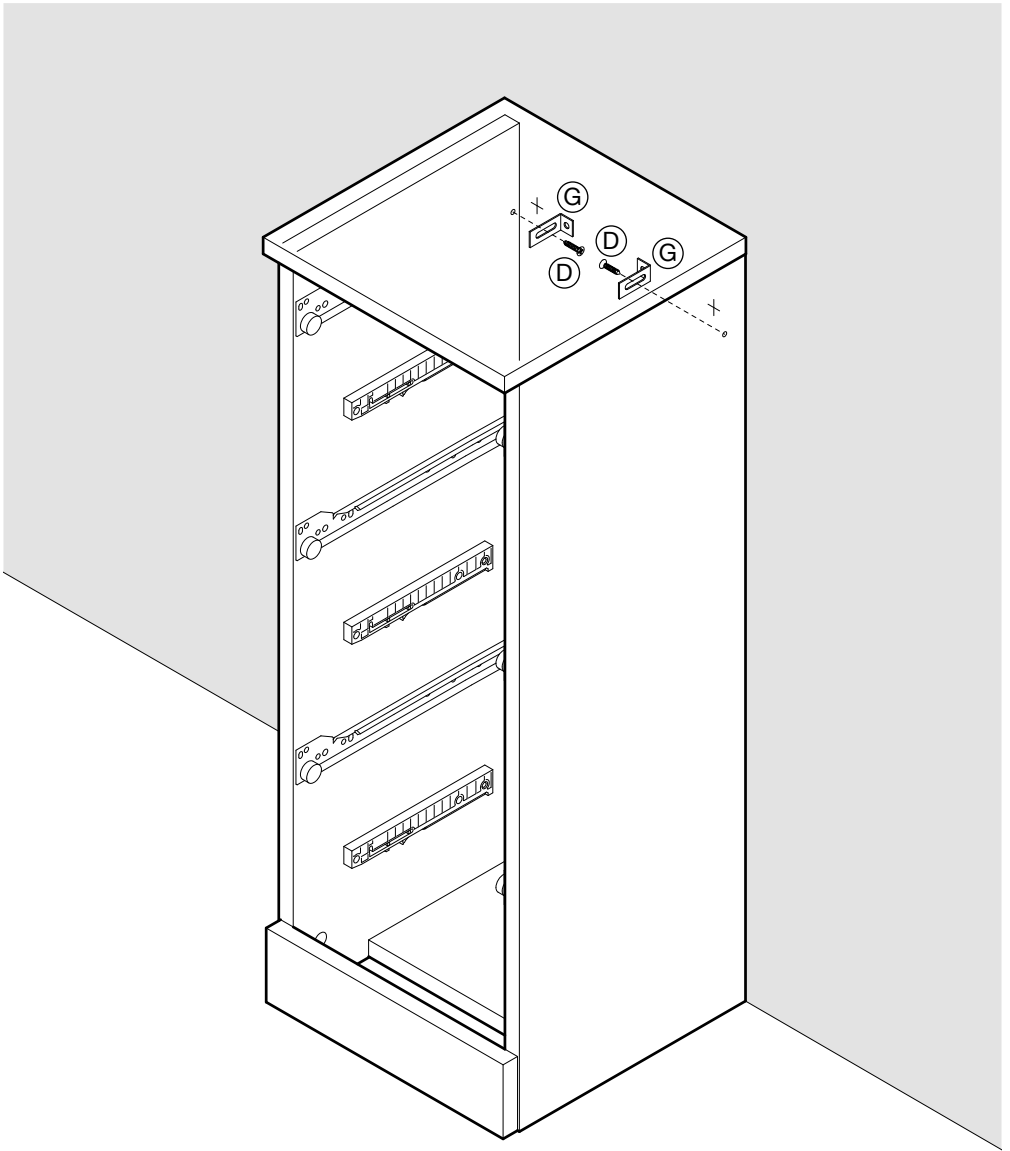
STEP 4



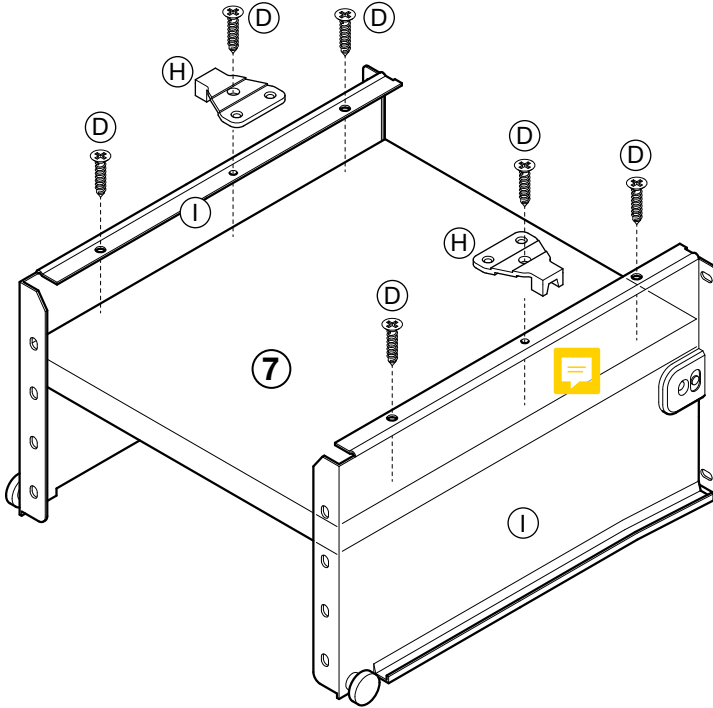
STEP 5



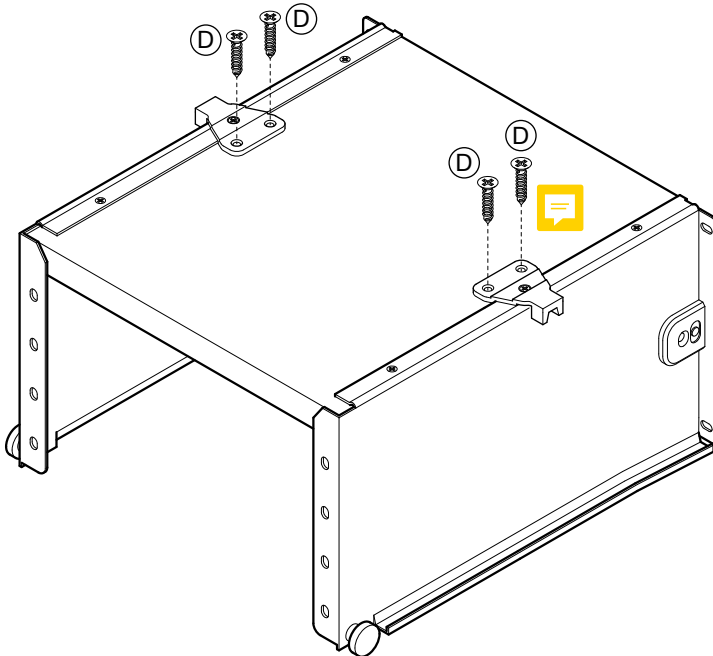
STEP 6



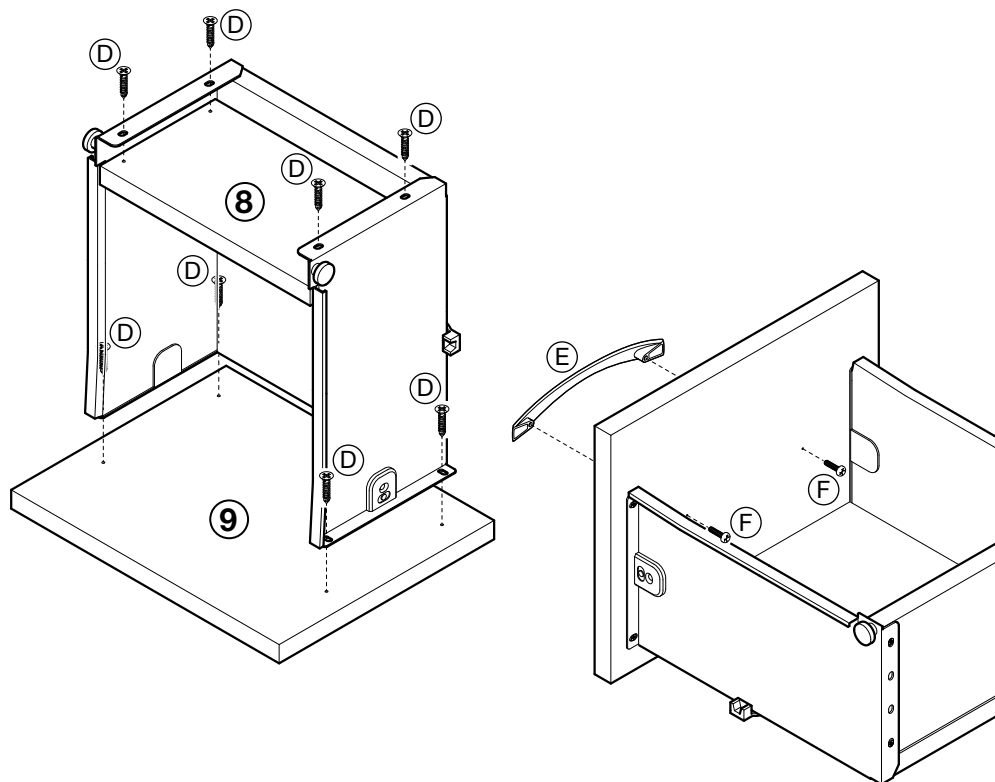
STEP 7



STEP 8



STEP 9



STEP 10

