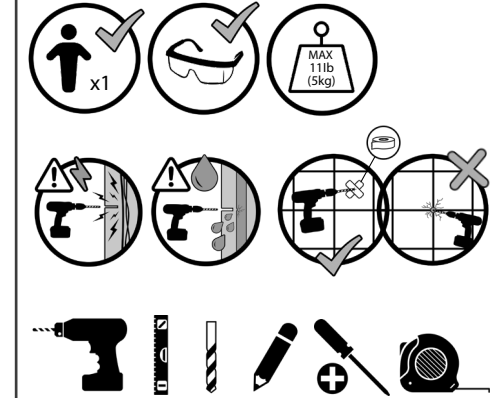
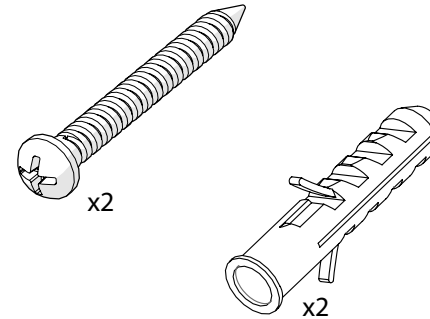


SAFETY & CARE

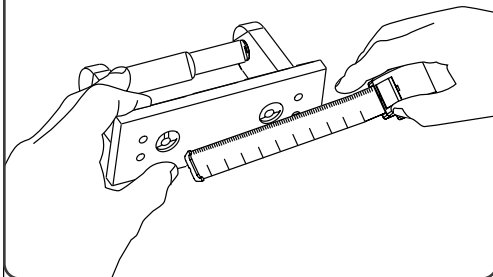
1. Always take care when using power tools, particularly if there is any water in the working area.
2. Always check for hidden cables and pipework before drilling and take extreme care if there is any water in the working area.
3. Always use a residual current circuit breaker (RCCB/GFCI).
4. Always wear suitable eye protection when drilling.
5. When drilling into a tiled surface do not use a hammer drill.
6. Always use a drill bit that is suitable for the surface that is being drilled.
7. The wall plugs supplied are for use on solid walls only. For cavity walls or plaster-board use, source specialist fixings that are suitable for the type of wall construction.
8. To retain the best quality finish, clean product regularly with a soft damp cloth.
9. Do not use abrasive or chemical cleaners, as these may damage the product.

FIXING PACK



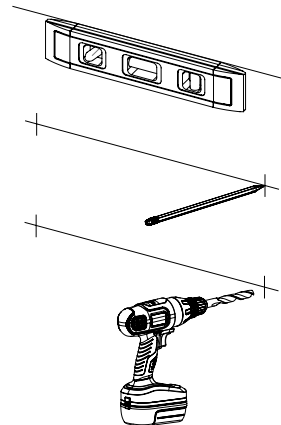
- 1 Measure the distance between the two fixing holes on the product.

This product is shown for reference only, you may have a different product but the installation is the same.



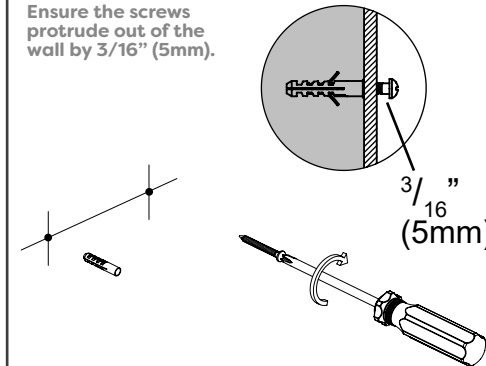
- 2 Using a spirit level, draw a horizontal line on the mounting surface and then mark the two screw positions using the measurement taken in step 1.

Drill the two marked holes in the mounting surface.



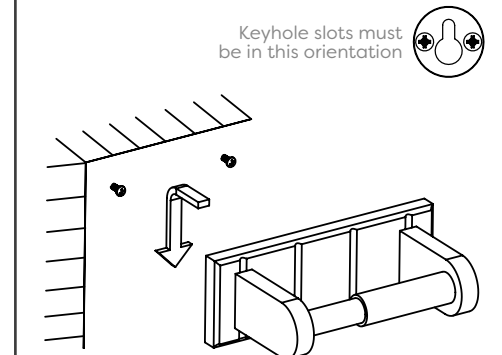
- 3 Insert wall plugs into the holes and using a screwdriver mount the screws to the wall.

Ensure the screws protrude out of the wall by 3/16" (5mm).



- 4 Attach the product onto the two mounting screws. If required, adjust the screw depth to obtain a tight and secure fit.

Keyhole slots must be in this orientation



UK: Croydex, Central Way, Andover, Hampshire, SP10 5AW, UK

EU: MIL, Unit 8 Purcellsinch Ind Est, Dublin Road, Kilkenny, R95 HP71, Ireland