

INSTALLATION GUIDE

Side Panel

MERLYN™
M

8
Series

IMPORTANT

Thank you for choosing Merlyn. Please familiarise yourself with the fitting instructions before commencing fitting.

- 1 Check that you have the tools required
- 2 Check that the installation site is compatible with size of door supplied
- 3 Check all the enclosure components
- 4 Check that the installation kit is complete

DO NOT attempt to install the product unless you can tick **ALL 4** boxes as satisfactory.

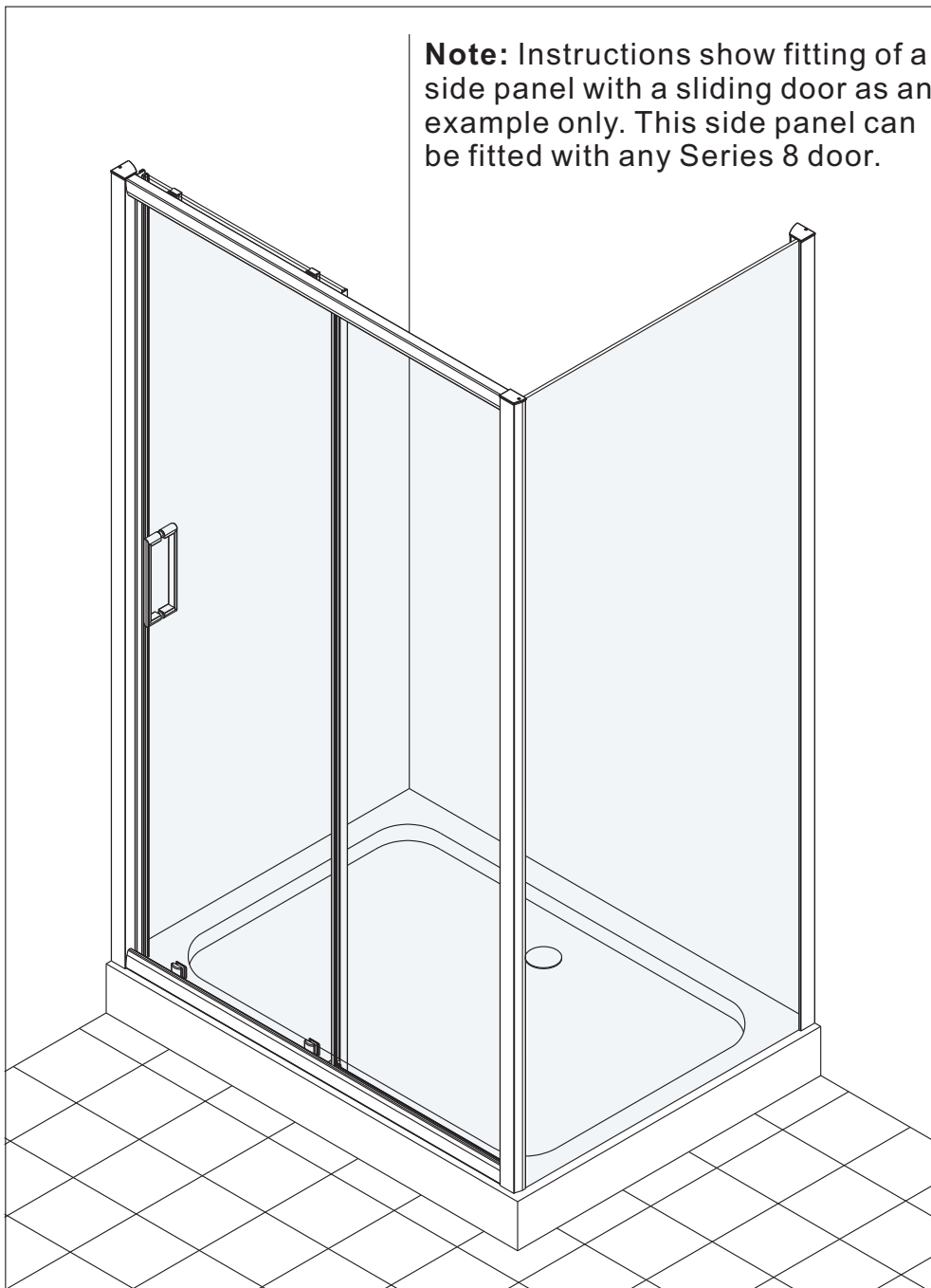
The wall plugs supplied with the installation kit are for use in solid walls. Hollow or 'stud - partition' walls will require alternative fixings. Please consult a hardware supplier for the correct type.

It may also be necessary to consult your tiling supplier about the correct method for drilling your tiles.

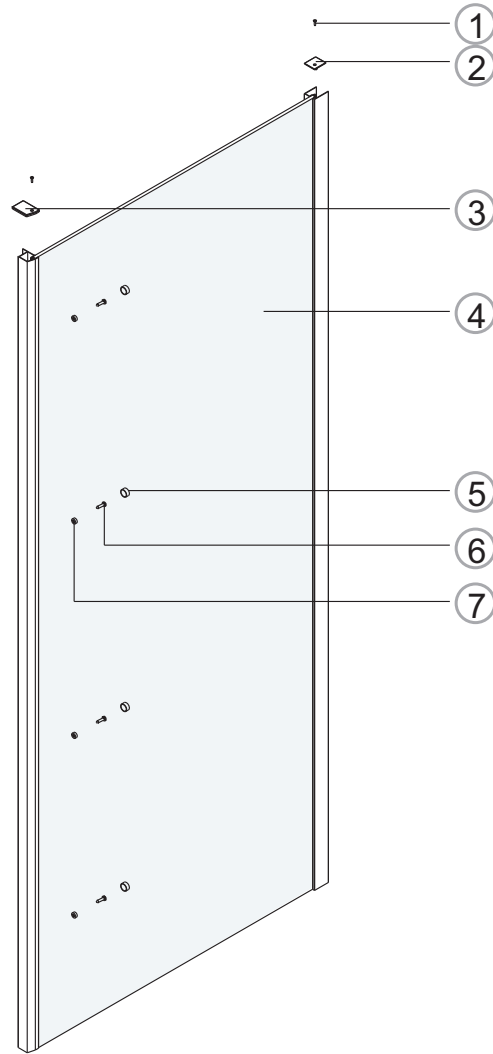
USE SAFETY EYEWEAR WHEN DRILLING

Any parts missing or damaged must be reported to your supplier within 5 days of purchase. Inspect shower enclosure before fitting. No claims will be accepted after product has been installed.

Note: Instructions show fitting of a side panel with a sliding door as an example only. This side panel can be fitted with any Series 8 door.



COMPONENTS AND BOX CONTENTS

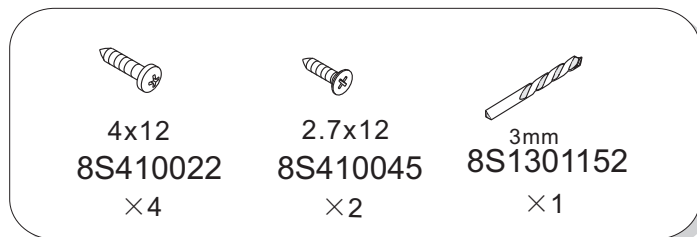
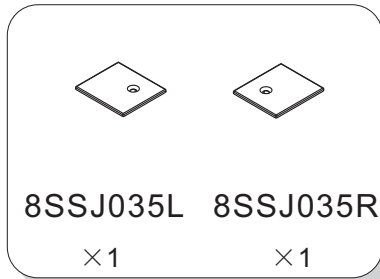
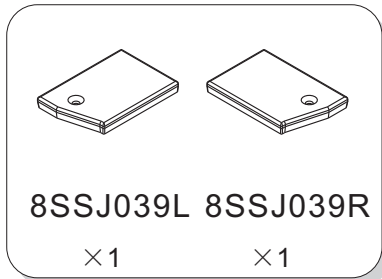


No	Description	Qty	Part No
1	Cover caps screw (2.7x12)	2	8S410045
2	Upright profile cover cap	1	8SSJ035L/R
3	Corner profile cover cap	1	8SSJ039L/R
4	Fixed panel	1	A
5	Cover screw	4	8S110037
6	Corner profile screw (4x12)	4	8S410022
7	Screw cover cap clip	4	8S1100371

Note: Further part details for fixing kit available on Page 2

FIXING KIT COMPONENTS, TOOLS REQUIRED, SITE CONDITIONS

Fixing Kit components *parts shown are not to scale*



Tools required

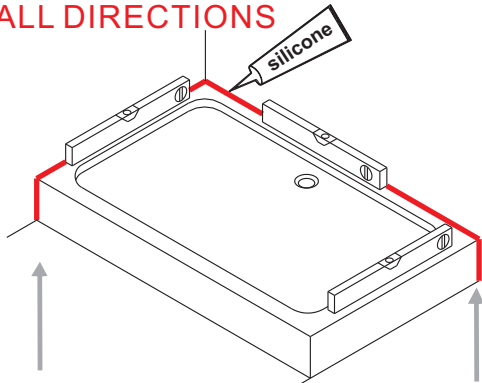
- 6mm masonry drill bit
- Power drill
- Quality silicone
- Pencil
- Spirit level and tape measure
- #2 and #1 Philips head screw driver
- Spirit level with horizontal and vertical level indicators
- 10mm wrench

IMPORTANT - Installation Site

1. Ensure the top surface of the shower tray on which the enclosure will be installed is level in every direction.
2. The tiling or other wall finishing should be effectively sealed at the tray edges.
3. Tiles should extend at least to the corners of the tray and a minimum of 2 metres from the top of the tray.

INSTALL FIXED PANEL WALL PROFILE

TRAY MUST BE 100% LEVEL IN ALL DIRECTIONS



Ensure the shower tray is level in all directions and is properly sealed to the wall. The wall must be tiled down to the top edge of the tray. **Do not angle out bottom tile.**

TRAY MUST BE SEALED FULLY AROUND WHERE THE TRAY MEETS THE WALL.

Note:

As for installation of sliding door, please see the instruction manual.

Step 1

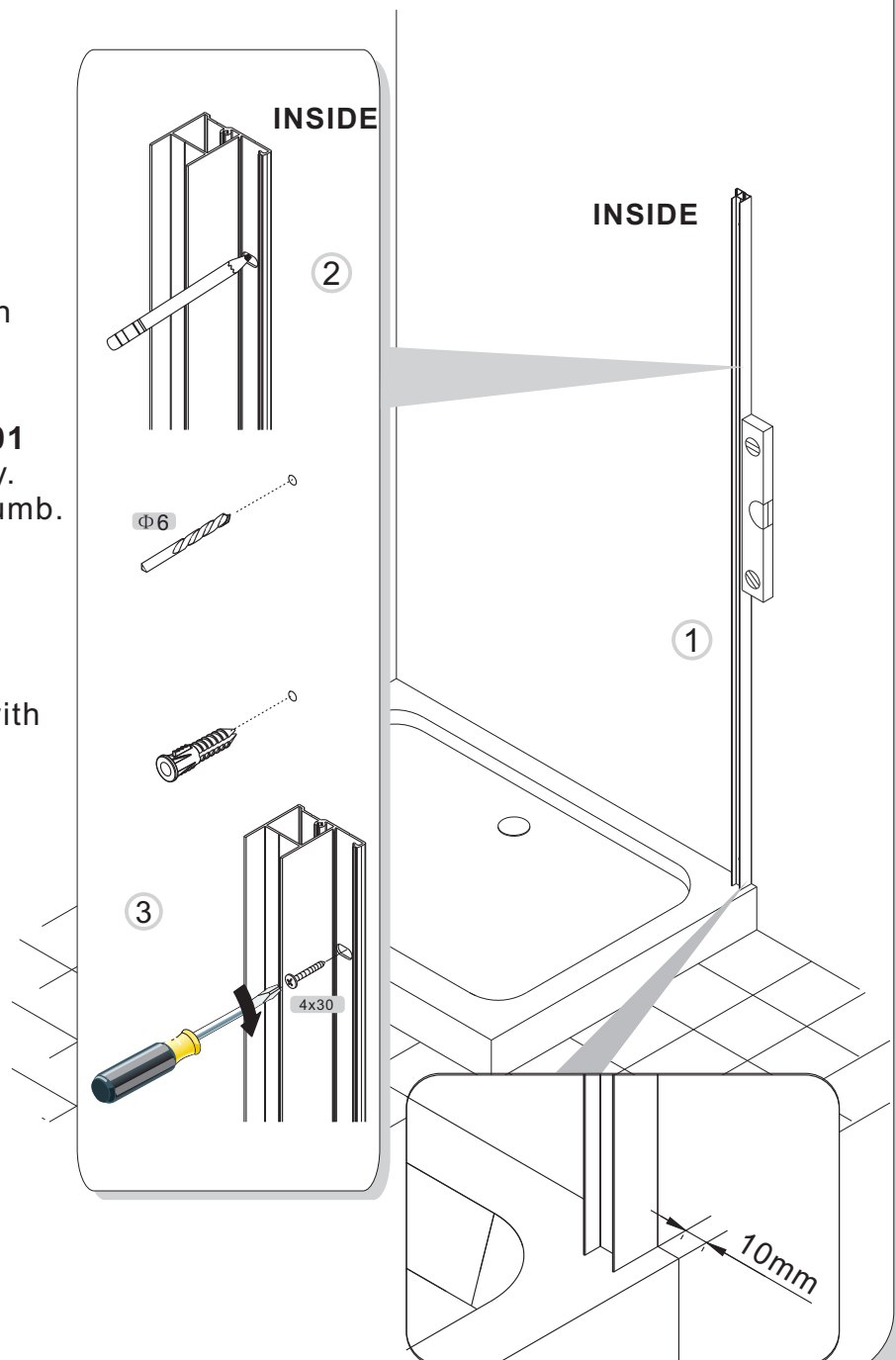
Place the wall profile **8SAL0001** 10mm from the edge of the tray. Ensure the wall profiles are plumb.

Step 2

Mark the position for fixing the wall profile to the wall.

Step 3

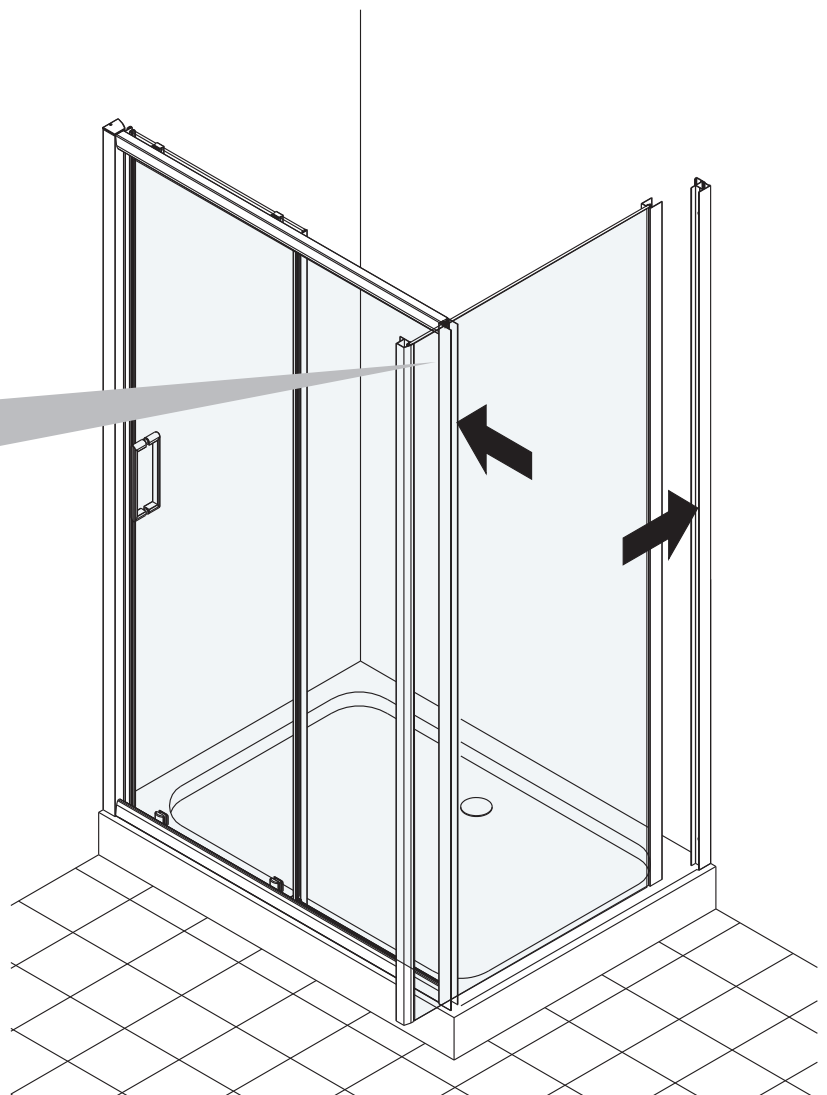
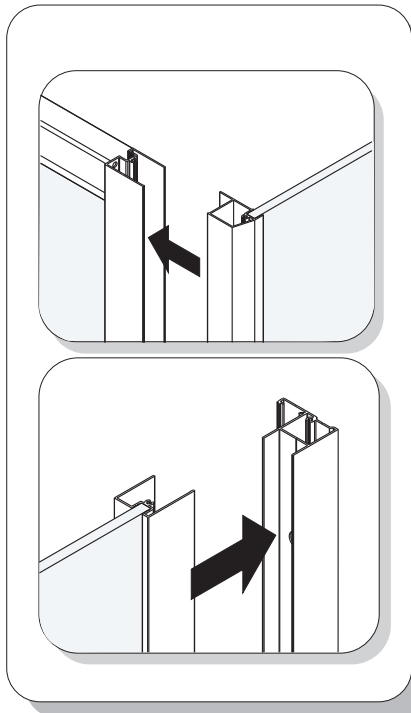
Fix the wall profile to the wall with screws **8S410044**.



FIXED FRAMEWORK

Step 4

Insert the side panel into the wall profile and also into the frame of the sliding door. Adjust so it is positioned correctly on the tray.



INSTALL SIDE PANEL

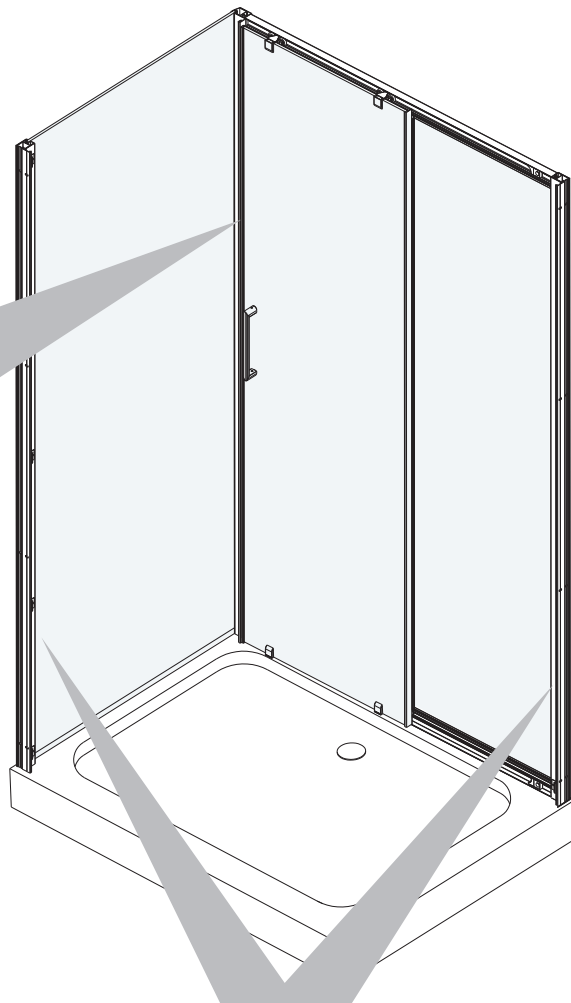
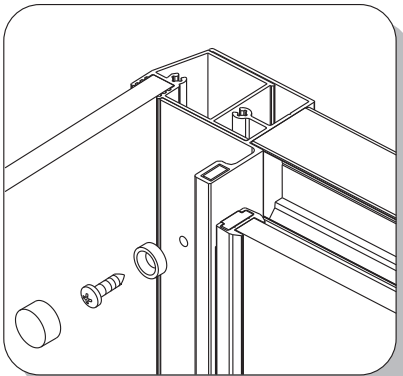
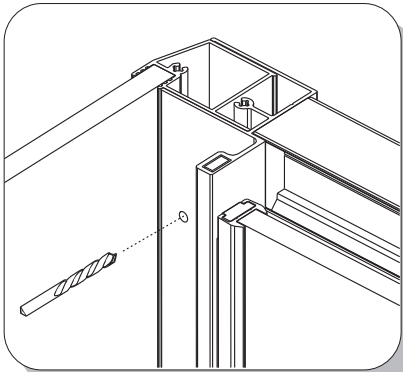
Step 5

Drill 4 equally spaced holes with 3mm drill bit **8S1301152** through the magnetic profile and corner profile. Fix the frame with screws **8S410022**, cover screw and screw cover cap clip **8S110037/8S1100371**.

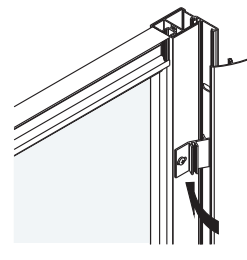
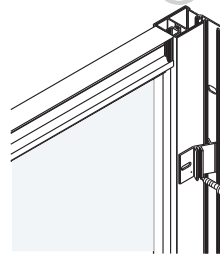
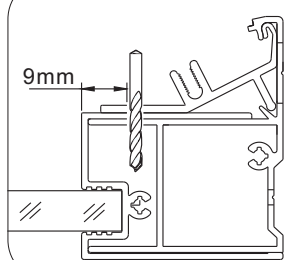
Step 6

Drill 5 equally spaced holes with 3mm drill bit **8S1301152** through the nylon clip **8SSJ037**, wall profile and frame. Ensure minimum of 9mm front edge of frame (see picture below). Fix the frame with screws **8S410047**.

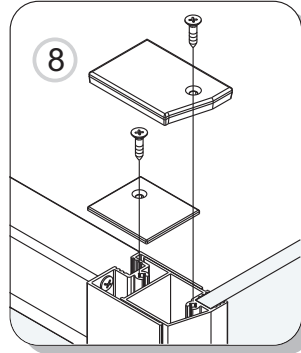
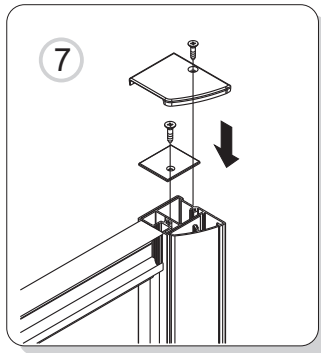
5



6



FINISHING AND SEALING



DO NOT USE THE
ENCLOSURE FOR
24 HOURS AFTER
SEALING

Step 7

Fix the upright cover caps **8SSJ035L/R** and wall profile cover caps **8SSJ036L/R** with screw **8S410045**.

Step 8

Fix the upright cover caps **8SSJ035L/R** and corner profile cover caps **8SSJ039L/R** with screw **8S410045**.

Step 9

Use a quality silicone sealant to seal the finished door.

Sealing Inside

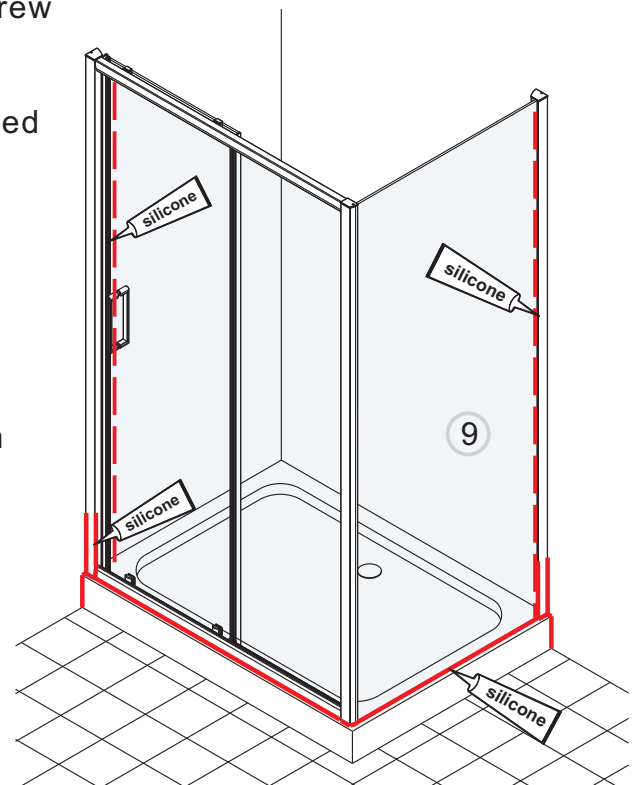
Seal top to bottom on the **INSIDE** between the wall profile and the wall.

Note: Do not apply sealant on inside on tray.

Sealing Outside

Seal only along bottom rail on the **OUTSIDE** between profile and the tray and approx 50mm up between the wall profiles and the wall.

Seal also where bottom profile and upright profile join and also where wall profiles and frame profile overlap 50mm up.

**SERIES 8 SIDE PANEL**

WE ARE SURE YOU WILL BE PLEASED WITH YOUR NEW MERLYN SHOWER DOOR.

Where a shower door has been installed contrary to these instructions, Merlyn cannot accept responsibility for any loss or damage, however caused, and any on-site service may incur a charge.

www.merlynbathrooms.com

FAILURE TO FOLLOW THE INSTRUCTIONS CORRECTLY MAY INVALIDATE YOUR GUARANTEE

Trouble Shooting Guide

Side Panel



- ① Is the tray level? (See page 3 of the site installation instructions).
- ② Have the walls been checked at different levels to ensure consistency?
- ③ Are the wall profiles stepped in 20 mm from the edge of the tray for the door panel and 10mm for the side panel? (See step 1)
- ④ Are the wall profiles plumb (vertically aligned and checked with a spirit level)?
(See step 1)
- ⑤ Is the unit correctly sealed with silicone? (See step 9)
- ⑥ Do the finished measurements on the tray comply with the adjustments listed in the product specifications book?