



All the taste, Half the time

A succulent roast chicken, a creamy Dauphinoise, a rich beef casserole - all achieved in just half the time a conventional oven would require. The CombiQuick oven is the faster way to exceptional flavours and exciting dishes, combining hot air fan cooking with the speed of a microwave to give you the mouthwatering finish and

Product Benefits & Features

Microwave-grill combination. Fast Cooking with a crisp finish

Combine the power of a grill and the efficiency of a microwave, with Fast Cooking. Melt mozzarella-topped toasties, or harden a crème brûlée's sugared lid, all in the microwave. Versatile cooking, mastered.

- 43 litre oven capacity
- Diamond-glazed enamel interior
- Isofront® plus triple glazed door
- Fan controlled defrosting
- Anti-fingerprint stainless steel
- LED digital display
- 1000W microwave power
- Microwave
- Base heat finishing
- Auto safety switch off and child lock
- Electronic Touch Controls

Fast heat-up time, to get you cooking quickly

Superior and quick cooking results - this oven heats up fast, giving you more time to enjoy the meal with your family and friends.



Intuitive oven cooking. With the EXCite Touch Display

The EXCite Touch Display provides access to a wide variety of oven functions to suit every dish. It also makes it easy to adjust oven temperature and timings. And gives you direct feedback, and highlights the most important information.

Cooked evenly everywhere

With this oven, using energy efficiently also means cooking efficiently. It has a new convection system called SurroundCook, which ensures hot air circulates evenly throughout the oven cavity. The result is that the oven heats up faster and cooking temperatures can be reduced by up to 20%, saving you both time and energy

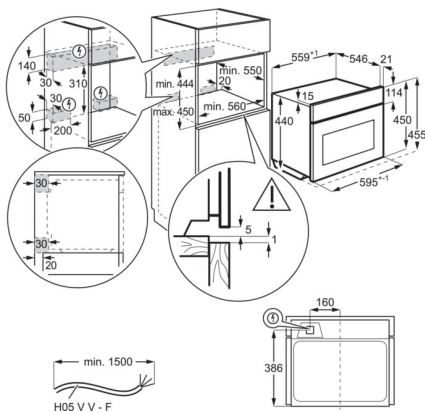
A quicker way to toast and crisp

This highly efficient grill takes less time than traditional ovens, and will toast, crisp or brown your dishes to precision.

Product Specification

Type of timer min.	PUX	Maximum Microwave output (W)	1000	
Functions	Au Gratin, Bottom heat, Bread baking, Conventional cooking + Microwave, Conventional/Traditional cooking, Defrost + Microwave, Dough proving, Drying, Frozen foods, Grill + Microwave, Grilling, Keep warm, Liquids + Microwave, Microwave, Pizza setting, Plate warming, Preserving, Reheat + Microwave, Slow Cooking, True fan cooking, True fan cooking + Microwave, Turbo grilling, Turbo grilling + Microwave	Largest Surface area	1424	
		Noise	52	
		Energy class	No	
		ProdPartCode	KR	
		Energy consumption per EU standard cycle	0	
		Main Colour	Black	
		Bottom oven shelves	1	
	Cavity coating	Grey Enamel		
	Plug	No		
	Cavity Size (L)	43		
Dimensions (mm) (HxWxD)	455x595x567			
Dimensions (Built-in, mm)	450x560x550			
Cleaning	Clean enamel			
Total electricity loading, W	3000			
Voltage (V)	220-240			
Required Fuse	16			
Frequency (Hz)	50			
Cord Length (m)	1.5			
Temperature range	30°C - 230°C			

PSGBOV180DE0000H



PSGBOV180DE0000J

